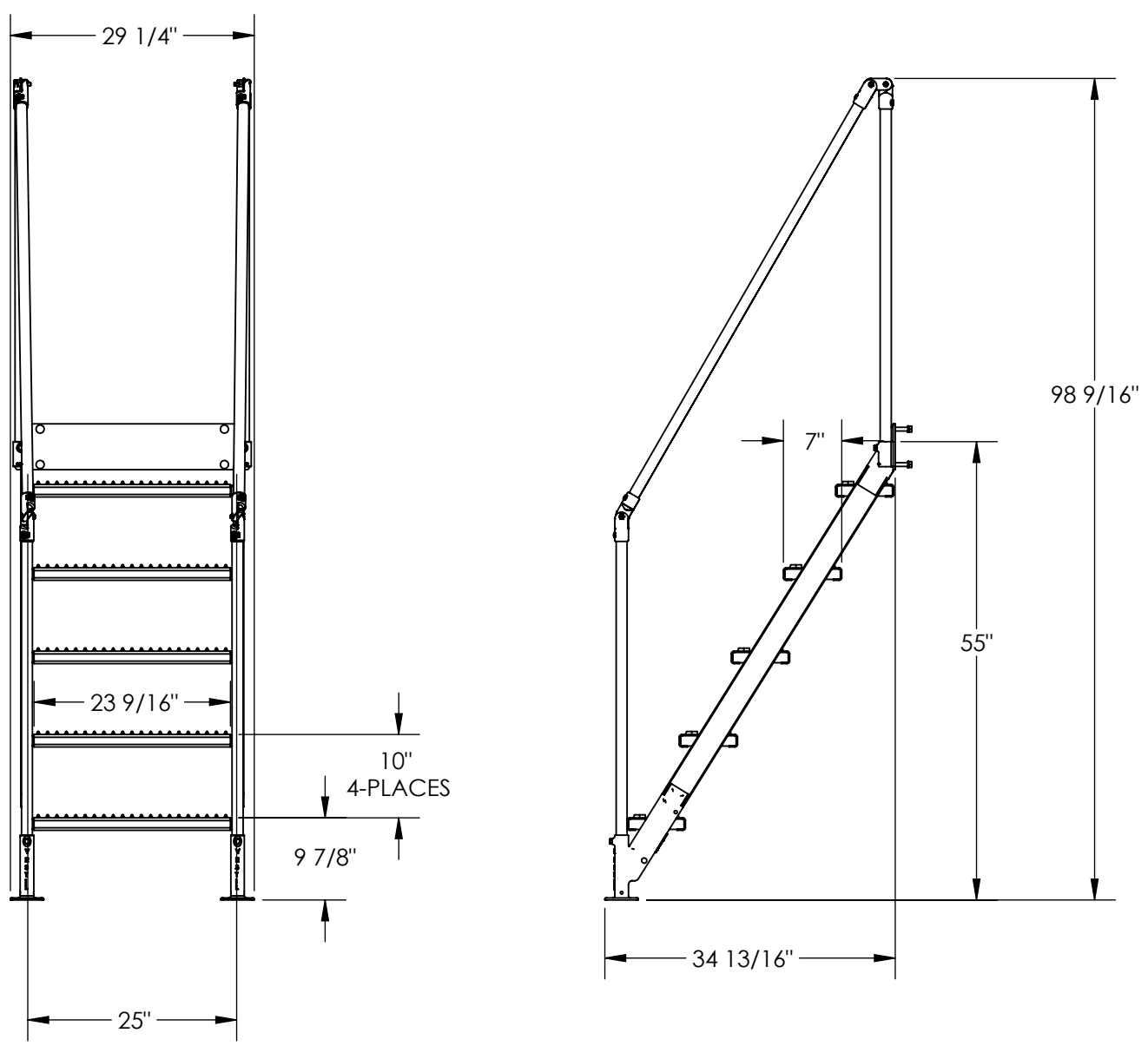


# PERSONNEL WORK PLATFORM STAIRS- PWPS-ST-5-60-BKYL

APPROX WEIGHT: 143.42 lbs.  
 DOES NOT INCLUDE WEIGHT OF POWER OR PACKAGING!!!

\*\*\*ANY ADDITIONS, DELETIONS, OR OMISSIONS MUST BE CORRECTED ON THIS DRAWING AS THIS DRAWING WILL BE CONSIDERED ALL INCLUSIVE\*\*\*



ALL GRAPHICS PROVIDED ARE FOR REFERENCE ONLY. IF CERTAIN DIMENSIONS ARE CRITICAL PLEASE VERIFY THOSE DIMENSIONS WITH YOUR SALESPERSON

DIMENSION TOLERANCE ± 1/4"

## STANDARD FEATURES

- MODEL NUMBER IS PWPS-ST-5-60-BKYL
- STAIR STEP SECTION WITH HANDRAILS
- 5 STEPS
- PLATFORM HEIGHT 60" (PLATFORM NOT SHOWN)
- STAIR WIDTH 29 1/4"
- STAIR LENGTH 34 13/16"
- STEP LENGTH 7"
- STEP WIDTH 23 9/16"
- STEP HEIGHT 10"
- STEPS ARE TOUGH BAKED IN POWDER COATED BLACK FINISH
- HANDRAILS ARE TOUGH BAKED IN POWDER COATED YELLOW FINISH

## SPECIAL FEATURES

NONE

<b>A P P R O V A L</b>	I, THE UNDERSIGNED, AGREE THAT THE PRODUCT AS REPRESENTED SATISFIES DESIGN AND DIMENSION REQUIREMENTS. I ALSO ACKNOWLEDGE MY DUTY TO CONFIRM PRODUCT AND INSTALLATION COMPLIANCE WITH ALL APPLICABLE FEDERAL, STATE AND LOCAL REGULATIONS AND STANDARDS.	
	<b>UNITS REQUIRING APPROVAL DRAWINGS OR MODIFIED ARE NON-RETURNABLE</b>	
	[ ] As drawn [ ] As marked	
	Signed: _____ Date: _____	
Printed Name: _____		
<i>LEAD TIME WILL START UPON RECEIPT OF SIGNED APPROVAL DRAWING</i>		

DISTRIBUTOR'S NAME:		P.O.#
<b>VESTIL MANUFACTURING</b>		X
		W.O.#
DRAWN BY: WHR		X
DATE: 03/26/12		SALES:
REFERENCE: X		X
SCALE: 1:20		FILE NAME:
QUOTED LEAD TIME: X		44-007-331
QUOTE #		X