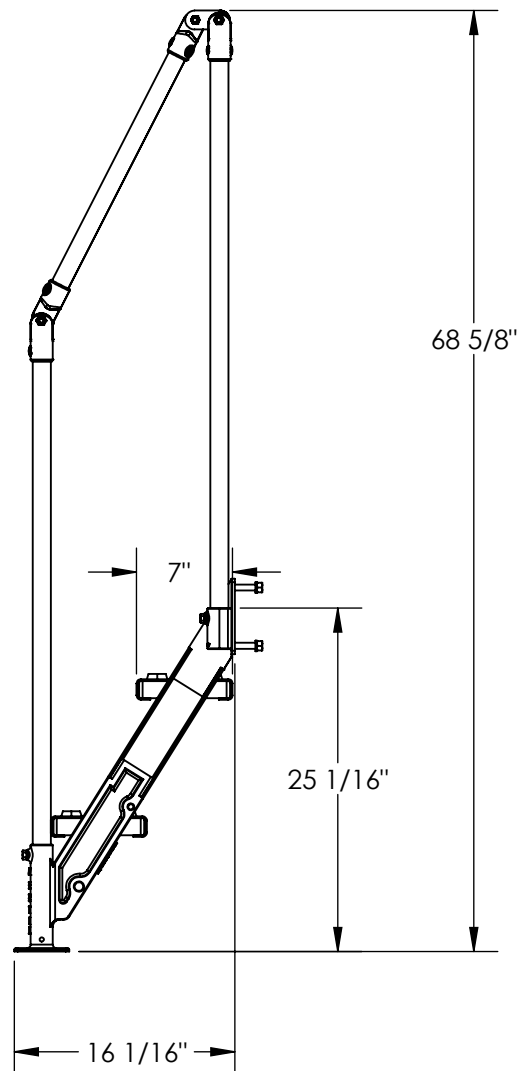
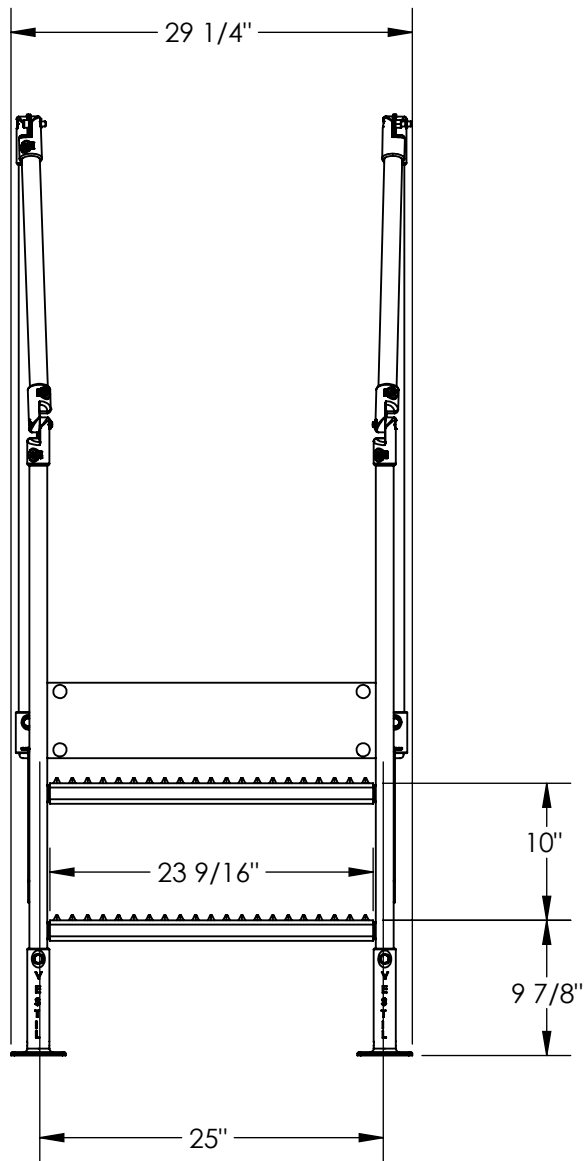


PERSONNEL WORK PLATFORM STAIRS - PWPS-ST-2-30-BKYL

APPROX WEIGHT: 92.70 lbs.
DOES NOT INCLUDE WEIGHT OF POWER OR PACKAGING!!!

ANY ADDITIONS, DELETIONS, OR OMISSIONS MUST BE CORRECTED ON THIS DRAWING AS THIS DRAWING WILL BE CONSIDERED ALL INCLUSIVE



ALL GRAPHICS PROVIDED ARE FOR REFERENCE ONLY. IF CERTAIN DIMENSIONS ARE CRITICAL PLEASE VERIFY THOSE DIMENSIONS WITH YOUR SALESPERSON

DIMENSION TOLERANCE $\pm 1/4"$

STANDARD FEATURES

- MODEL NUMBER IS PWPS-ST-2-30-BKYL
- STAIR STEP SECTION WITH HANDRAILS
- 2 STEPS
- PLATFORM HEIGHT 30" (PLATFORM NOT SHOW)
- STAIR WIDTH 29 1/4"
- STAIR LENGTH 16 1/16"
- STEP LENGTH 7"
- STEP WIDTH 23 9/16"
- STEP HEIGHT 10"
- STEPS ARE TOUGH BAKED IN POWDER COATED BLACK FINISH
- HANDRAILS ARE TOUGH BAKED IN POWDER COATED YELLOW FINISH

SPECIAL FEATURES

NONE

**A
P
P
R
O
V
A
L**

I, THE UNDERSIGNED, AGREE THAT THE PRODUCT AS REPRESENTED SATISFIES DESIGN AND DIMENSION REQUIREMENTS. I ALSO ACKNOWLEDGE MY DUTY TO CONFIRM PRODUCT AND INSTALLATION COMPLIANCE WITH ALL APPLICABLE FEDERAL, STATE AND LOCAL REGULATIONS AND STANDARDS.
UNITS REQUIRING APPROVAL DRAWINGS OR MODIFIED ARE NON-RETURNABLE
[] As drawn [] As marked

Signed: _____ Date: _____

Printed Name: _____

LEAD TIME WILL START UPON RECEIPT OF SIGNED APPROVAL DRAWING

DISTRIBUTOR'S NAME:		P.O.#
VESTIL MANUFACTURING		X
		W.O.#
DRAWN BY: WHR		X
DATE: 03/26/12		SALES:
REFERENCE: X		X
SCALE: 1:14		FILE NAME:
QUOTED LEAD TIME: X		44-007-328
QUOTE #		
X		