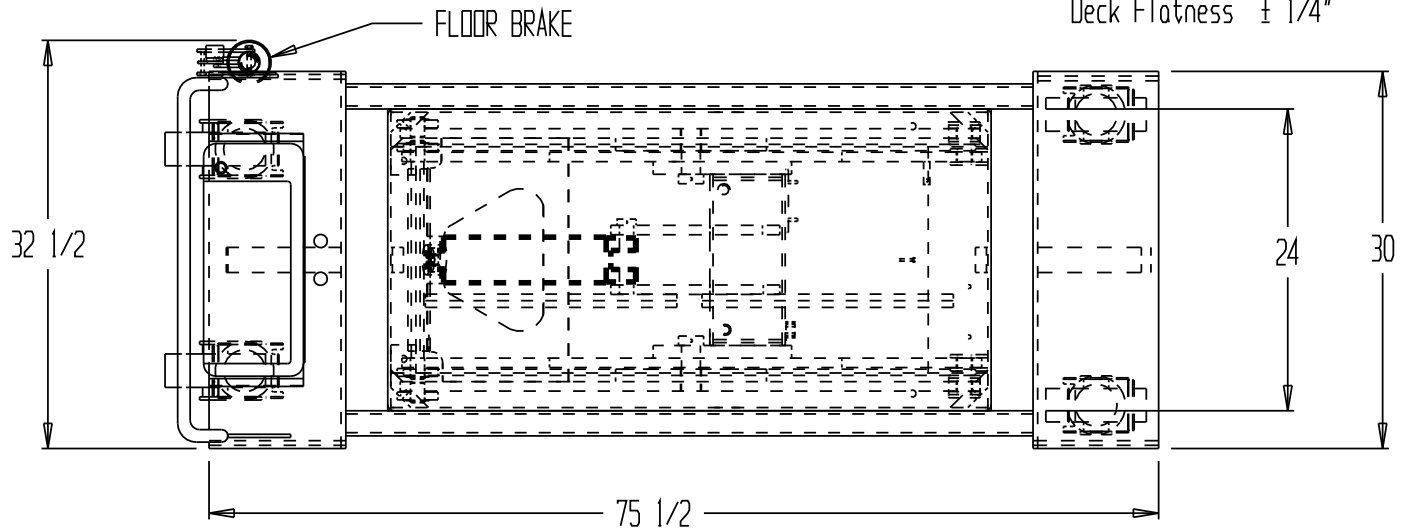
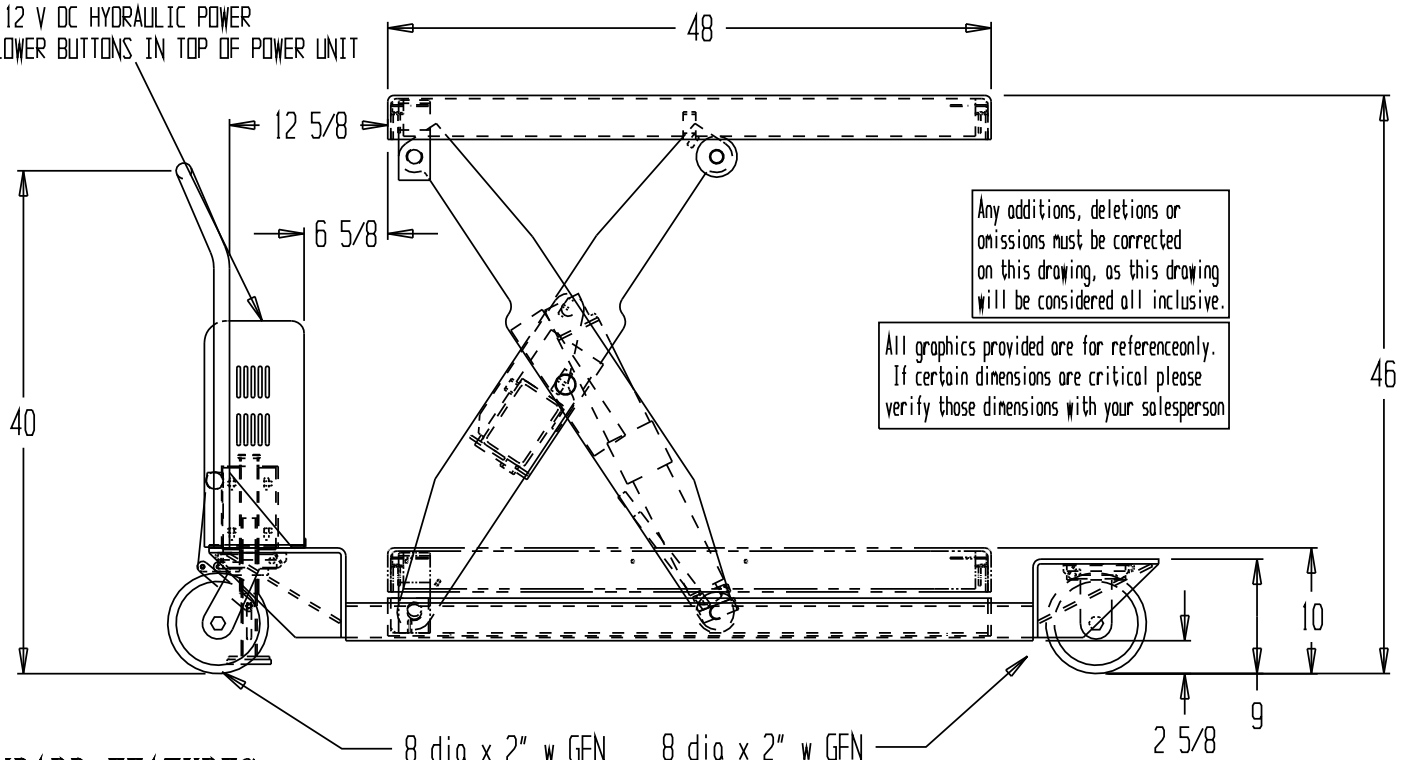


PORTABLE SCISSOR TABLE, PST-2448-3-46

Deck tolerances +/- 1/2"
 Table height tolerances +/- 1/2"
 Deck Flatness ± 1/4"



STANDARD 12 V DC HYDRAULIC POWER
 RAISE & LOWER BUTTONS IN TOP OF POWER UNIT



STANDARD FEATURES

- MODEL NUMBER: PST-2448-3-46
- CAPACITY: 3,000 LBS.
- PLATFORM WIDTH: 24"
- PLATFORM LENGTH: 48"
- PLATFORM LOWERED HEIGHT: 10"
- PLATFORM RAISED HEIGHT: 46"
- OVERALL WIDTH: 32 1/2"
- OVERALL LENGTH: 75 1/2"
- GROUND CLEARANCE: 2 5/8"
- CASTERS: TWO 8 dia x 2" w GFN SWIVEL
 TWO 8 dia x 2" w GFN RIGID

PLEASE CIRCLE SPECIFICATIONS:

POWER	<input type="checkbox"/> AC	<input checked="" type="checkbox"/> DC (12V)	<input type="checkbox"/> AIR/OIL	
MOTOR VOLTAGE	<input type="checkbox"/> 115	<input type="checkbox"/> 200	<input type="checkbox"/> 230	<input type="checkbox"/> 460
DEDICATED CIRCUIT REQUIRED				
MOTOR PHASE	<input type="checkbox"/> SINGLE	<input type="checkbox"/> THREE		
CONTROL	<input type="checkbox"/> HAND	<input type="checkbox"/> *FOOT		
BATTERY CHRG.	<input type="checkbox"/> REMOTE	<input checked="" type="checkbox"/> ON-BOARD		
*CHRG. INDICATOR	<input type="checkbox"/> YES	<input type="checkbox"/> NO		

**A
P
P
R
O
V
A
L**

I, THE UNDERSIGNED, AGREE THAT THE PRODUCT AS REPRESENTED SATISFIES DESIGN & DIMENSION REQUIREMENTS. I ALSO ACKNOWLEDGE MY DUTY TO CONFIRM PRODUCT & INSTALLATION COMPLIANCE WITH ALL APPLICABLE FEDERAL, STATE AND LOCAL REGULATIONS & STANDARDS.

ALL SPECIAL UNITS ARE NON-RETURNABLE

[] As drawn [] As marked

Signed: _____ Date: _____

LEAD TIME WILL START UPON RECEIPT OF SIGNED APPROVAL DRAWING

SPECIAL FEATURES

NONE

DISTRIBUTOR'S NAME: VESTIL MFG		P.O.#: _
DRAWN BY: _____		W.O.#: _
DATE: _	SCALE: 1/18	SALES: _
REFERENCE: _	QUOTED LEADTIME: _	DRWG./FILE NAME: PST-2448-3-46
QUOTE #: _		