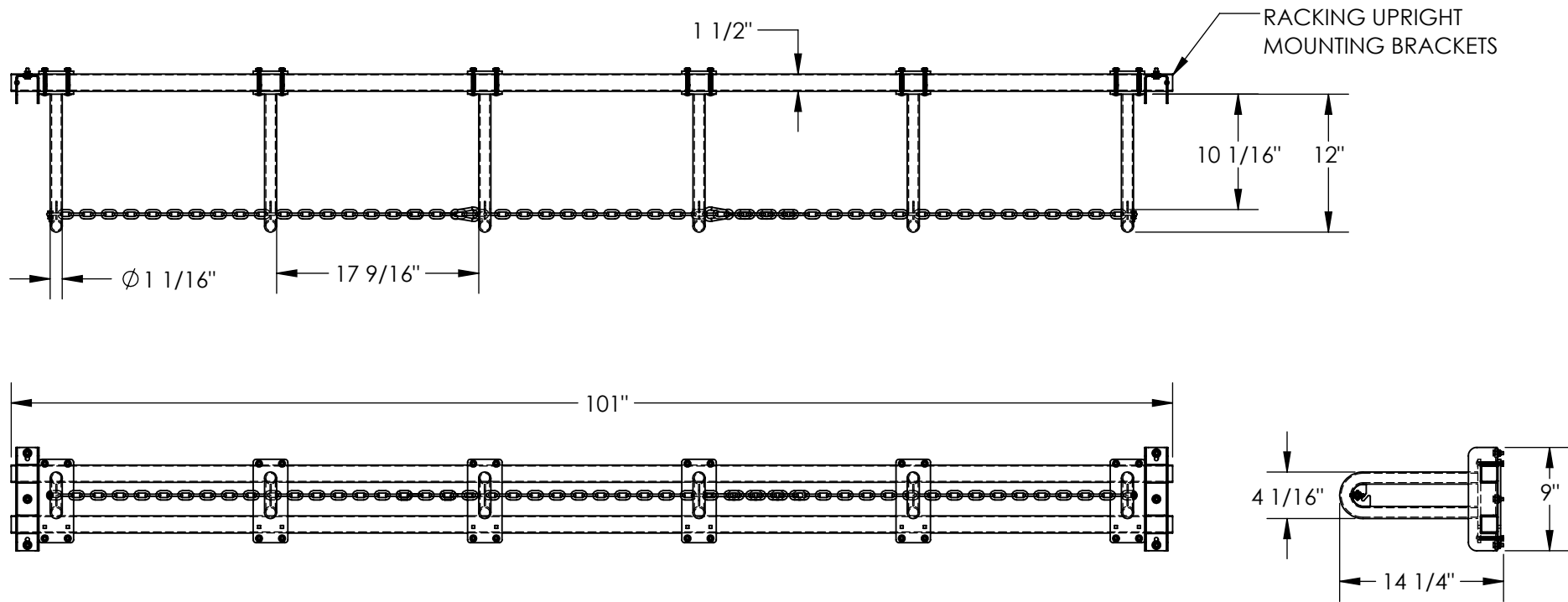


VERTICAL BAR STORAGE RACK - PRSR-96-5B

APPROX WEIGHT: 67 lbs.
DOES NOT INCLUDE WEIGHT OF POWER OR PACKAGING!!!

*** ANY ADDITIONS, DELETIONS, OR OMISSIONS MUST BE CORRECTED ON THIS DRAWING AS THIS DRAWING WILL BE CONSIDERED ALL INCLUSIVE ***

ALL GRAPHICS PROVIDED ARE FOR REFERENCE ONLY. IF CERTAIN DIMENSIONS ARE CRITICAL PLEASE VERIFY THOSE DIMENSIONS WITH YOUR SALESPERSON



STANDARD FEATURES

- MODEL NUMBER IS PRSR-96-5B
- OVERALL LENGTH IS 101"
- OVERALL DEPTH IS 14 1/4"
- USABLE BAY DEPTH, TO CHAIN, IS 10 1/16"
- OVERALL HEIGHT IS 9"
- INCLUDES (5) STORAGE BAYS
- MAXIMUM UNIFORMLY SPACED BAY WIDTH IS 17 9/16"
- BAY WIDTH IS ADJUSTABLE
- INCLUDES (3) 36"L CHAINS, CONNECTED VIA SNAP HOOKS
- INCLUDES HARDWARE TO FASTEN TO STORAGE RACKING UPRIGHTS
- STEEL CONSTRUCTION, TOUGH BAKED IN POWDERCOAT BLUE FINISH

SPECIAL FEATURES

NONE

DIMENSION TOLERANCE $\pm 1/4"$

APPROVAL	I, THE UNDERSIGNED, AGREE THAT THE PRODUCT AS REPRESENTED SATISFIES DESIGN AND DIMENSION REQUIREMENTS. I ALSO ACKNOWLEDGE MY DUTY TO CONFIRM PRODUCT AND INSTALLATION COMPLIANCE WITH ALL APPLICABLE FEDERAL, STATE AND LOCAL REGULATIONS AND STANDARDS.	
	ANY MODIFIED UNITS ARE NON-RETURNABLE	
	[] As drawn [] As marked	
Signed: _____		Date: _____
Printed Name: _____		
LEAD TIME WILL START UPON RECEIPT OF SIGNED APPROVAL DRAWING		

FOR INTERNAL USE ONLY PROJECT SIGN OFF	
SALES	
ENG.	
FAB.	
POWER	

DISTRIBUTOR'S NAME:		P.O.#
VESTIL MANUFACTURING		X
DRAWN BY: TJM		W.O.#
DATE: 01/29/19		X
REFERENCE: X	SCALE: 1:14	SALES: X
QUOTED LEAD TIME: X	QUOTE #	FILE NAME:
	X	31-007-286