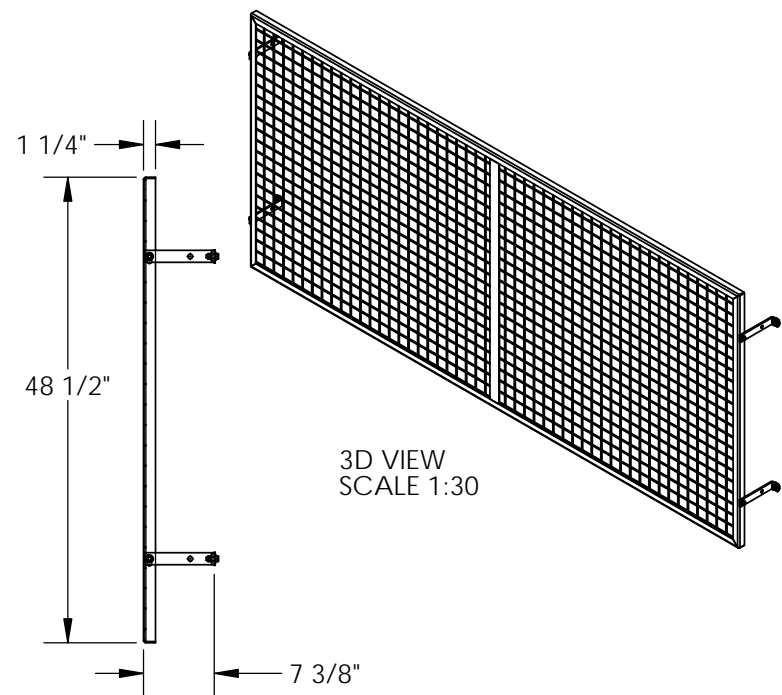
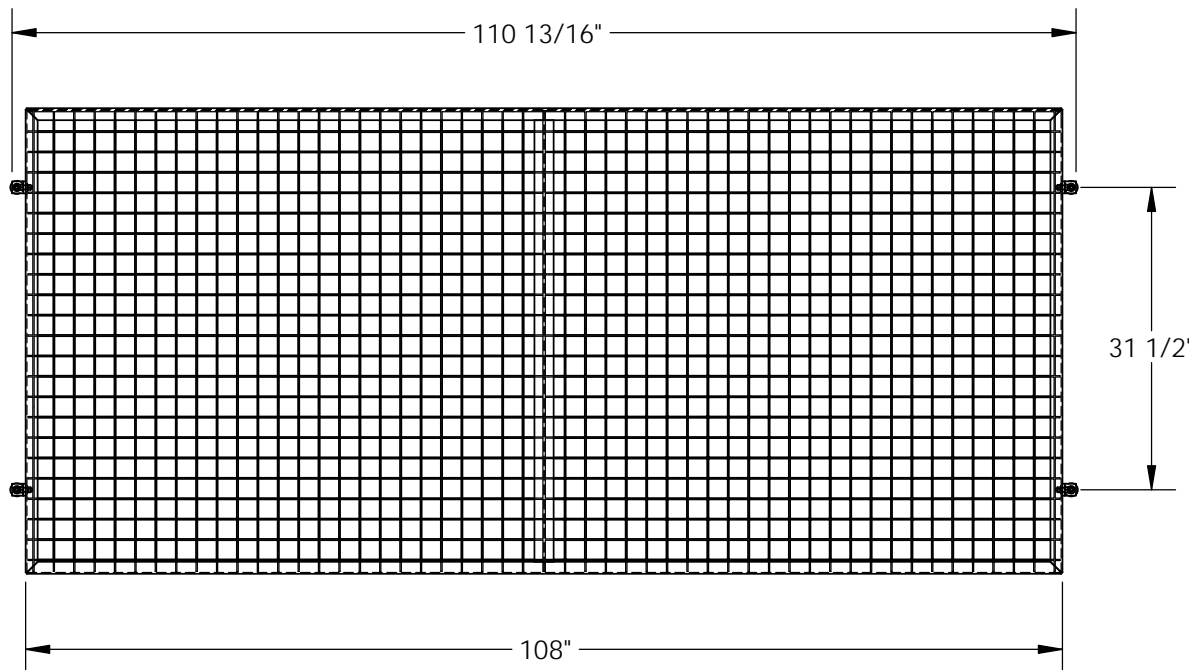


# STEEL PALLET RACK GUARD - PRSN-108-4

APPROX WEIGHT: 54.80 lbs.  
DOES NOT INCLUDE WEIGHT OF POWER OR PACKAGING!!!

\*\*\* ANY ADDITIONS, DELETIONS, OR OMISSIONS MUST BE CORRECTED ON THIS DRAWING AS THIS DRAWING WILL BE CONSIDERED ALL INCLUSIVE \*\*\*

ALL GRAPHICS PROVIDED ARE FOR REFERENCE ONLY. IF CERTAIN DIMENSIONS ARE CRITICAL PLEASE VERIFY THOSE DIMENSIONS WITH YOUR SALESPERSON



## STANDARD FEATURES

MODEL NUMBER IS PRSN-108-4  
OVERALL WIDTH IS 110 13/16"  
PANEL WIDTH IS 108"  
OVERALL HEIGHT IS 48 1/2"  
OVERALL DEPTH IS 7 3/8"  
7 GA. WIRE MESH GUARDING  
ATTACHES TO VERTICAL PALLET RACKING  
YELLOW POWDERCOAT FINISH

### PALLET RACK GUARD INCLUDES:

- (4) MOUNTING BRACKETS
- (8) Ø3/8-16 x 1" BOLTS
- (16) Ø3/8 FLAT WASHERS
- (4) Ø1/2 FLAT WASHERS
- (8) Ø3/8-16 HEX NUTS

\*\*ADDITIONAL MOUNTING HARDWARE MAY BE NEEDED DEPENDING ON STYLE OF RACK

## SPECIAL FEATURES

NONE

DIMENSION TOLERANCE ± 1/4"

<b>A P P R O V A L</b>	I, THE UNDERSIGNED, AGREE THAT THE PRODUCT AS REPRESENTED SATISFIES DESIGN AND DIMENSION REQUIREMENTS. I ALSO ACKNOWLEDGE MY DUTY TO CONFIRM PRODUCT AND INSTALLATION COMPLIANCE WITH ALL APPLICABLE FEDERAL, STATE AND LOCAL REGULATIONS AND STANDARDS.	
	<b>ALL SPECIAL UNITS ARE NON-RETURNABLE</b>	
	[ ] As drawn      [ ] As marked	
Signed: _____		Date: _____
<b>LEAD TIME WILL START UPON RECEIPT OF SIGNED APPROVAL DRAWING</b>		

FOR INTERNAL USE ONLY PROJECT SIGN OFF	
SALES	
ENG.	
FAB.	
POWER	

DISTRIBUTOR'S NAME:		P.O.#
VESTIL MANUFACTURING		X
DRAWN BY:	DATE:	W.O.#
TJM	03/13/15	X
REFERENCE:	SCALE:	FILE NAME:
X	1:20	
QUOTED LEAD TIME:	QUOTE #	23-007-553
X	X	