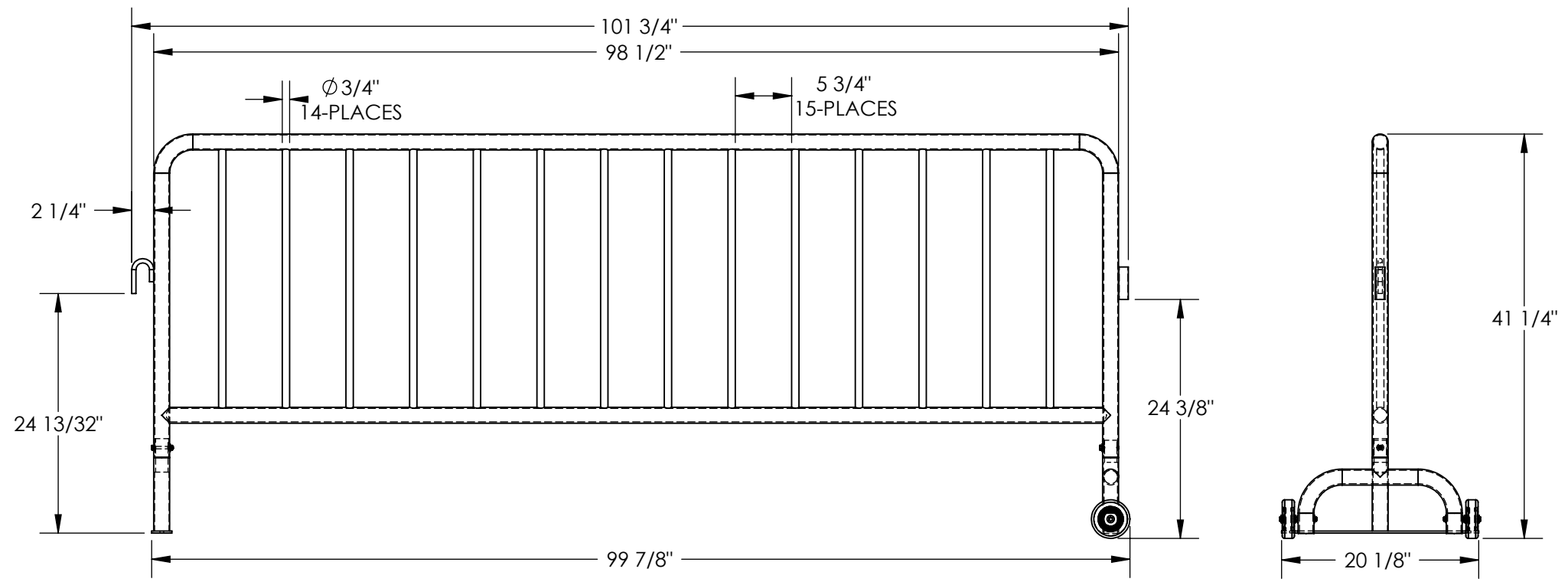


HEAVY-DUTY INDUSTRIAL INTERLOCKING BARRIER - PRAIL-102-HD-Y-WF

APPROX WEIGHT: 56 lbs.
 DOES NOT INCLUDE WEIGHT OF POWER OR PACKAGING!!!

*** ANY ADDITIONS, DELETIONS, OR OMISSIONS MUST BE CORRECTED ON THIS DRAWING AS THIS DRAWING WILL BE CONSIDERED ALL INCLUSIVE ***

ALL GRAPHICS PROVIDED ARE FOR REFERENCE ONLY. IF CERTAIN DIMENSIONS ARE CRITICAL PLEASE VERIFY THOSE DIMENSIONS WITH YOUR SALESPERSON



DIMENSION TOLERANCE ± 1/2

STANDARD FEATURES

- MODEL NUMBER IS PRAIL-102-HD-Y-WF
- OVERALL WIDTH IS: 20 1/8"
- OVERALL LENGTH IS: 101 3/4"
- OVERALL HEIGHT IS: 41 1/4"
- DISTANCE BETWEEN VERTICAL BARS IS: 5 3/4"
- INCLUDES CONNECTORS TO ATTACH MULTIPLE UNITS TOGETHER
- INCLUDES ONE FLAT FOOT AND ONE WHEELED FOOT
- FEET ARE REMOVABLE FOR STORAGE AND SHIPPING
- TOUGH BACKED IN POWDER COAT YELLOW FINISH

SPECIAL FEATURES

NONE

APPROVAL

I, THE UNDERSIGNED, AGREE THAT THE PRODUCT AS REPRESENTED SATISFIES DESIGN AND DIMENSION REQUIREMENTS. I ALSO ACKNOWLEDGE MY DUTY TO CONFIRM PRODUCT AND INSTALLATION COMPLIANCE WITH ALL APPLICABLE FEDERAL, STATE AND LOCAL REGULATIONS AND STANDARDS.

ANY MODIFIED UNITS ARE NON-RETURNABLE

As drawn As marked

Signed: _____ Date: _____

Printed Name: _____

LEAD TIME WILL START UPON RECEIPT OF SIGNED APPROVAL DRAWING

| | |
|---|--|
| FOR INTERNAL USE ONLY PROJECT SIGN OFF | |
| SALES | |
| ENG. | |
| FAB. | |
| POWER | |

| | | |
|----------------------|-------------|------------|
| DISTRIBUTOR'S NAME: | | P.O.# |
| VESTIL MANUFACTURING | | X |
| DRAWN BY: T. MOORE | | W.O.# |
| DATE: 05/27/10 | | X |
| REFERENCE: X | SCALE: 1:15 | SALES: X |
| QUOTED LEAD TIME: X | QUOTE # | FILE NAME: |
| | X | 23-007-371 |