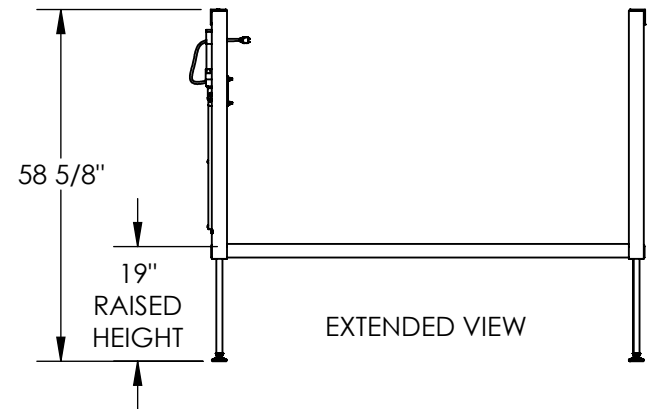
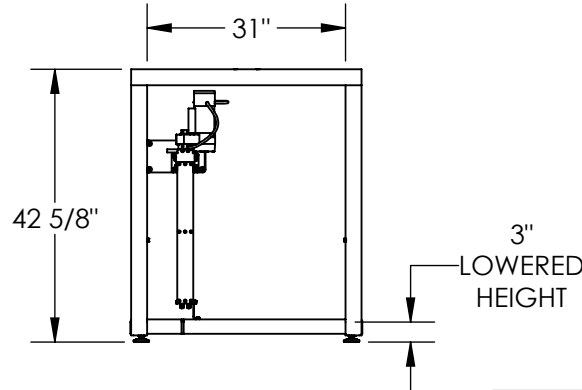
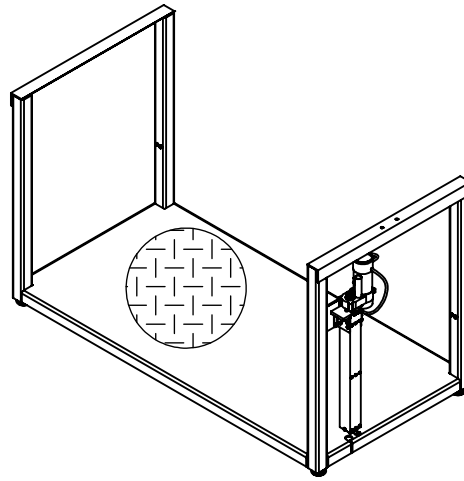
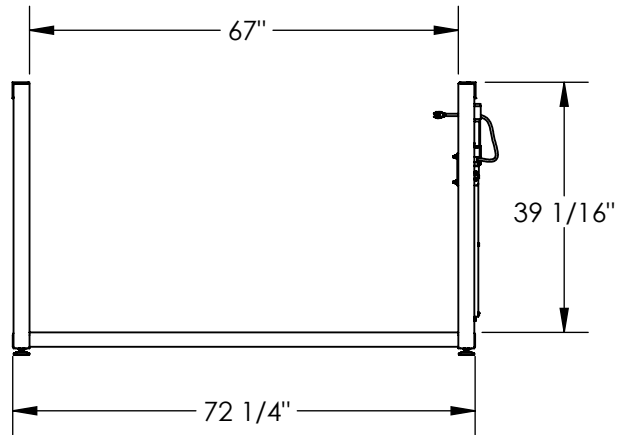
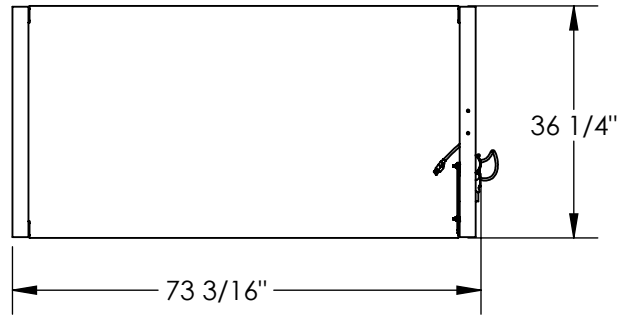


POSI-CRANK WORK PLATFORM W/ ELECTRIC HYDRAULIC OPTION- POS-3672-EH-MAT

APPROX WEIGHT: 498.21 lbs.
DOES NOT INCLUDE WEIGHT OF POWER OR PACKAGING!!!

*** ANY ADDITIONS, DELETIONS, OR OMISSIONS MUST BE CORRECTED ON THIS DRAWING AS THIS DRAWING WILL BE CONSIDERED ALL INCLUSIVE ***
ALL GRAPHICS PROVIDED ARE FOR REFERENCE ONLY. IF CERTAIN DIMENSIONS ARE CRITICAL PLEASE VERIFY THOSE DIMENSIONS WITH YOUR SALESPERSON



DIMENSION TOLERANCE $\pm 1/4$ "

STANDARD FEATURES

- MODEL NUMBER IS POS-3672-EH-MAT
- MAX UNIFORM CAPACITY IS 500 LBS.
- 115 VAC SINGLE PHASE POWER
- OVERALL WIDTH IS 73 3/16"
- USABLE WIDTH IS 67"
- USABLE LENGTH IS 36 1/4"
- MIN PLATFORM HEIGHT IS 3"
- MAX PLATFORM HEIGHT IS 19"
- MAX OVERALL HEIGHT IS 58 5/8"
- ERGONOMIC MAT ON TOP OF PLATFORM
- DURABLE LIQUID PAINT BLUE FINISH

SPECIAL FEATURES

NONE

APPROVAL	I, THE UNDERSIGNED, AGREE THAT THE PRODUCT AS REPRESENTED SATISFIES DESIGN AND DIMENSION REQUIREMENTS. I ALSO ACKNOWLEDGE MY DUTY TO CONFIRM PRODUCT AND INSTALLATION COMPLIANCE WITH ALL APPLICABLE FEDERAL, STATE AND LOCAL REGULATIONS AND STANDARDS.	
	ANY MODIFIED UNITS ARE NON-RETURNABLE	
	[] As drawn [] As marked	
	Signed: _____ Date: _____	
Printed Name: _____		
LEAD TIME WILL START UPON RECEIPT OF SIGNED APPROVAL DRAWING		

FOR INTERNAL USE ONLY PROJECT SIGN OFF	
SALES	
ENG.	
FAB.	
POWER	

DISTRIBUTOR'S NAME:		P.O.#
VESTIL MANUFACTURING		X
DRAWN BY: C.CLEMENS		DATE: 12/4/17
REFERENCE: X		SCALE: 1:32
QUOTED LEAD TIME: X		QUOTE #
		X
		FILE NAME:
		14-007-314-001