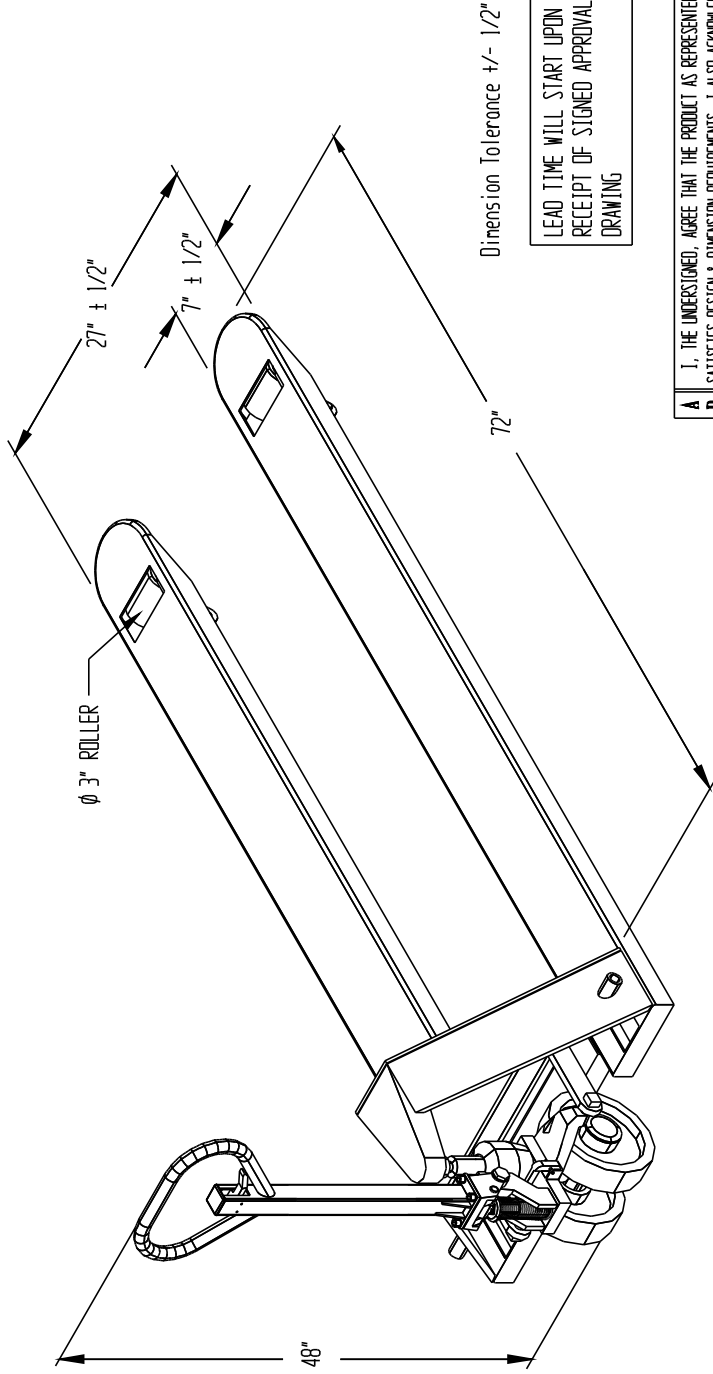


FULL FEATURED PALLET TRUCK, PM4-2772



LEAD TIME WILL START UPON RECEIPT OF SIGNED APPROVAL DRAWING

STANDARD FEATURES

- MODEL NUMBER: PM4-2772
- OVERALL FORK WIDTH IS 27 INCHES
- OVERALL FORK LENGTH IS 72 INCHES
- CAPACITY IS 4,400 LBS
- LOWERED HEIGHT IS 2 7/8 INCHES
- RAISED HEIGHT IS 7 3/4 INCHES

SPECIAL FEATURES

NONE

I, THE UNDERSIGNED, AGREE THAT THE PRODUCT AS REPRESENTED SATISFIES DESIGN & DIMENSION REQUIREMENTS. I ALSO ACKNOWLEDGE MY DUTY TO CONFIRM PRODUCT & INSTALLATION COMPLIANCE WITH ALL APPLICABLE FEDERAL, STATE AND LOCAL REGULATIONS & STANDARDS.

ALL SPECIAL UNITS ARE NON-RETURNABLE

() As drawn () As marked

Signed: _____ Date: _____

LEAD TIME WILL START UPON RECEIPT OF SIGNED APPROVAL DRAWING

FOR INTERNAL USE ONLY		DISTRIBUTOR'S NAME:	
PROJECT SIGN OFF		VESTIL MFG	
SALES		DATE	SALES
ENG		REFERENCE	SCALE
FAB.		QUOTED LEADTIME	QUOTE #
POWER			
			DRWG./FILE NAME: PM4-2772

**SPECIAL UNITS ARE NON-RETURNABLE
*AVAILABLE AT ADDITIONAL COSTS