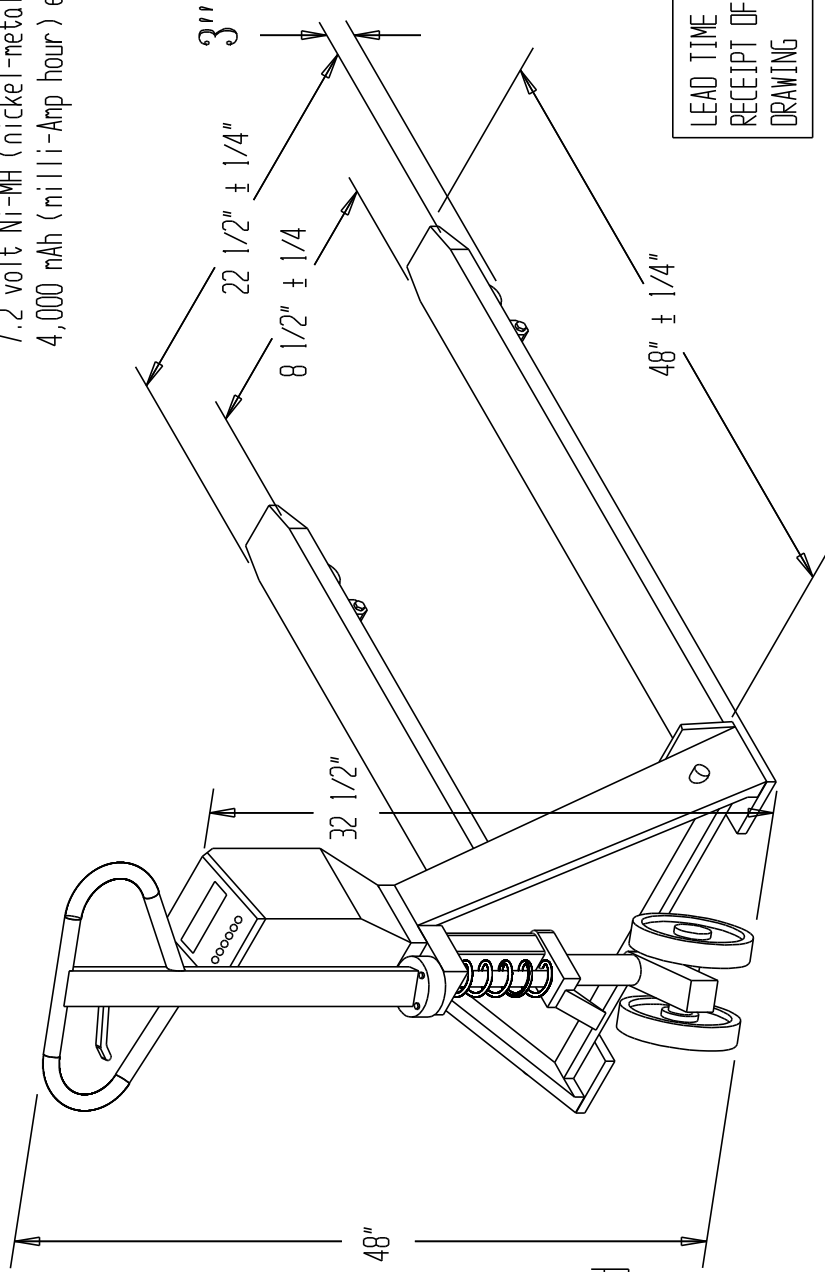


MOBILE PALLET TRUCK W/SCALE, PM-2048-SCL-LP

Standard batter pak for the scales is a
7.2 volt Ni-MH (nickel-metal halide)
4,000 mAh (milli-Amp hour) energy rating.



LEAD TIME WILL START UPON
RECEIPT OF SIGNED APPROVAL
DRAWING

APPROVAL

I, the undersigned, hereby approve this print
[] As drawn [] As marked
This includes my approval of design & dimensions.
Signed: _____
Date: _____

NOTE:
THIS PRODUCT MAY NOT
FIT SOME STANDARD
PALLETES.

MIN LOWERED HT 3

PLEASE VERIFY YOUR
MINIMUM HT

**SPECIAL UNITS ARE NON-RETURNABLE
*AVAILABLE AT ADDITIONAL COSTS

Readout increment is 1/2 lb
Scale accurate to ±.01% of load

STANDARD FEATURES

- MODEL NUMBER: PM-2048-SCL-LP
- OVERALL LENGTH OF FORKS IS 48 ± 1/4 INCHES
- OVERALL WIDTH OF FORKS IS 22 1/2 ± 1/4 INCHES
- LOWERED HEIGHT OF 3 INCHES
- RAISED HEIGHT OF 7 1/2 INCHES
- CAPACITY IS 5,000 LBS.
- POLYURETHANE WHEELS
- WEIGHT SCALE MOUNTED ON UNIT

SPECIAL FEATURES

NONE

**Any additions, deletions or omissions must
be corrected on this drawing, as this drawing
will be considered all inclusive.**

*** ALL GRAPHICS PROVIDED ARE FOR REFERENCE ONLY. IF CERTAIN DIMENSIONS
ARE CRITICAL PLEASE VERIFY THESE DIMENSIONS WITH YOUR SALESPERSON. ***

DISTRIBUTOR'S NAME: VESTIL MANUFACTURING		P.O.#: -
DRAWN BY: -	DATE: -	W.O.#: -
REFERENCE: -	SALES: -	DRWG./FILE NAME: 15-007-093-001
SCALE: NTS		