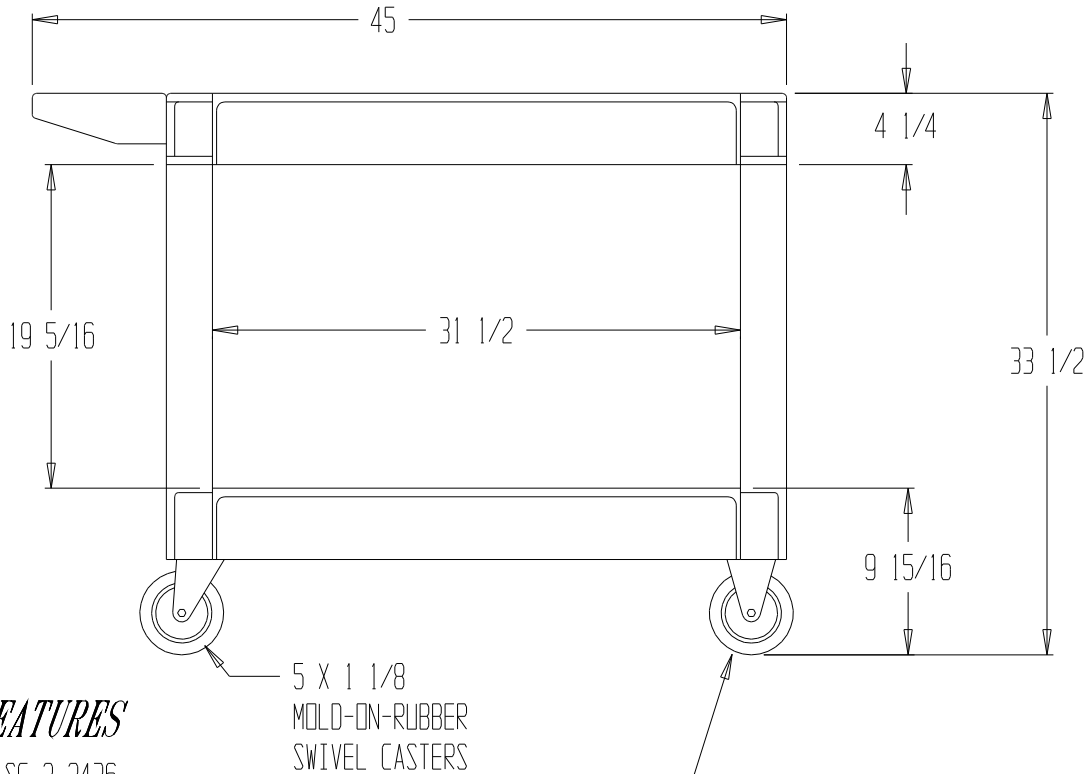
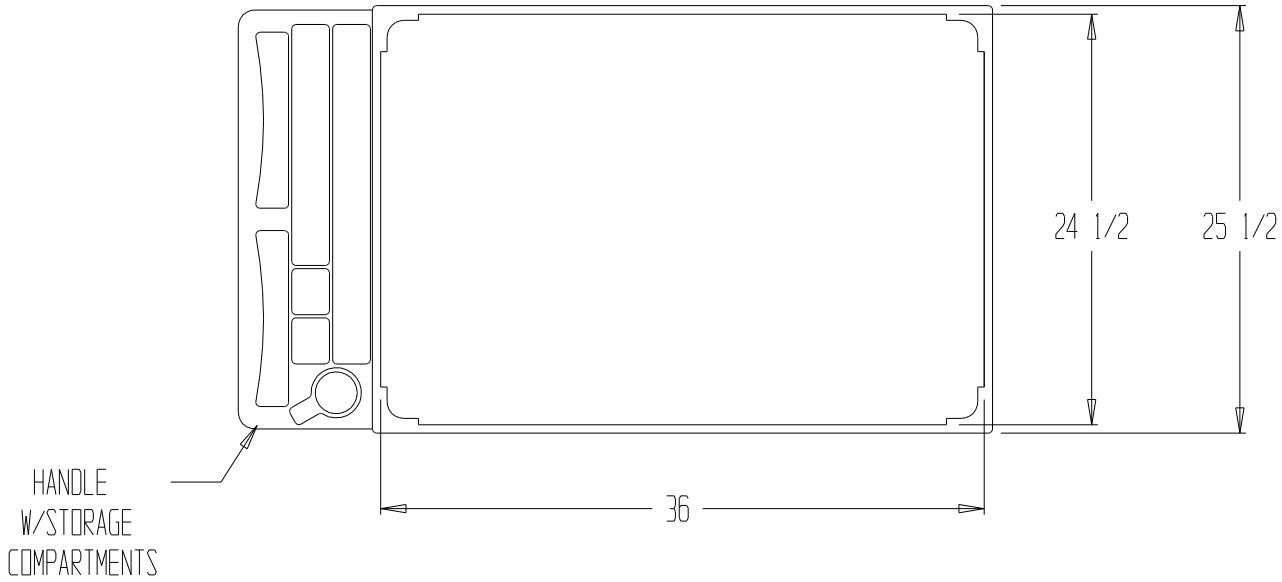


LEAD TIME WILL START UPON
RECEIPT OF SIGNED APPROVAL
DRAWING

PLASTIC UTILITY SERVICE CART, PLSC-2-2436



Any additions, deletions or omissions must be corrected on this drawing, as this drawing will be considered all inclusive.

*** ALL GRAPHICS PROVIDED ARE FOR REFERENCE ONLY. IF CERTAIN DIMENSIONS ARE CRITICAL PLEASE VERIFY THOSE DIMENSIONS WITH YOUR SALESPERSON. ***

STANDARD FEATURES

- MODEL NUMBER: PLSC-2-2436
- SHELF CAPACITY: 250 LBS.
- UNIT CAPACITY: 500 LBS.
- USABLE SHELF: 24 1/2" W x 36" L x 4" H
- OVERALL WIDTH: 25 1/2"
- OVERALL LENGTH: 45"
- OVERALL HEIGHT: 33 1/2"
- SHELF CLEARANCE: 19 5/16"
- MATERIAL: LIGHTWEIGHT STRUCTURAL FOAM PLASTIC

SPECIAL FEATURES

NONE

**SPECIAL UNITS ARE NON-RETURNABLE
*AVAILABLE AT ADDITIONAL COSTS

APPROVAL

I, the undersigned, hereby approve this print
 As drawn As marked
This includes my approval of design & dimensions.
Signed: _____
Date: _____

DISTRIBUTOR'S NAME: VESTIL MANUFACTURING		P.O.#: -
DRAWN BY: SR		W.D.#: -
DATE: 1-9-06		SALES: -
REFERENCE: -	SCALE: 1:12	DRWG./FILE NAME: PLSC-2-2436