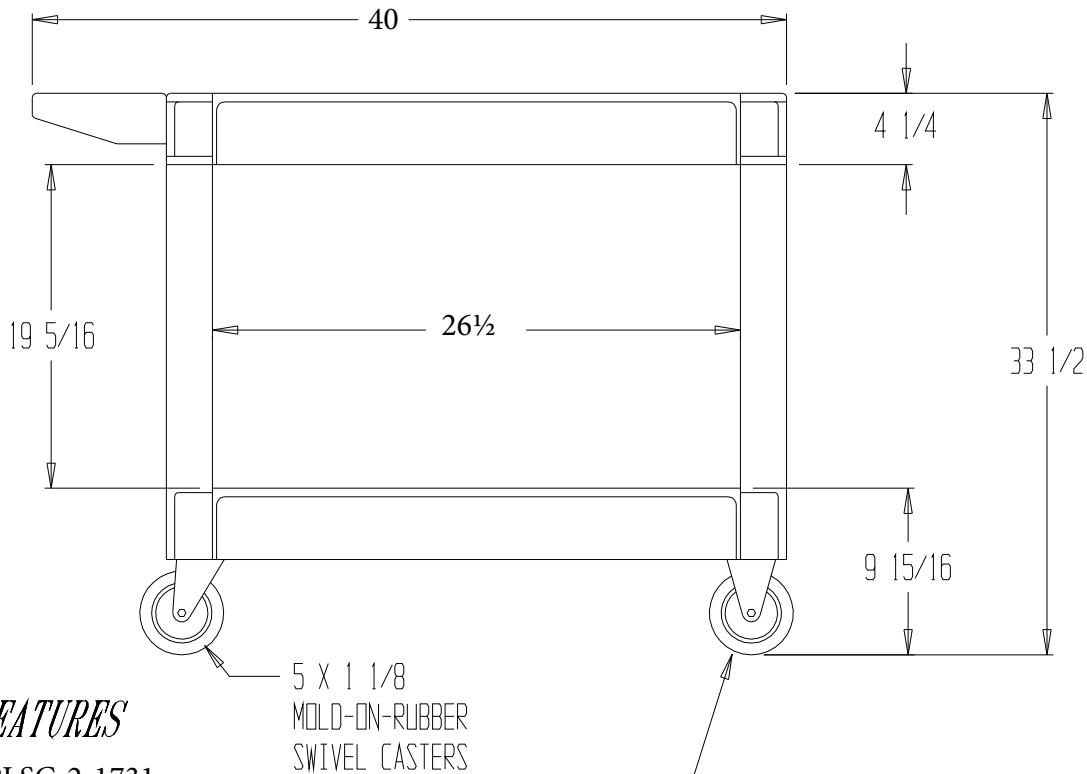
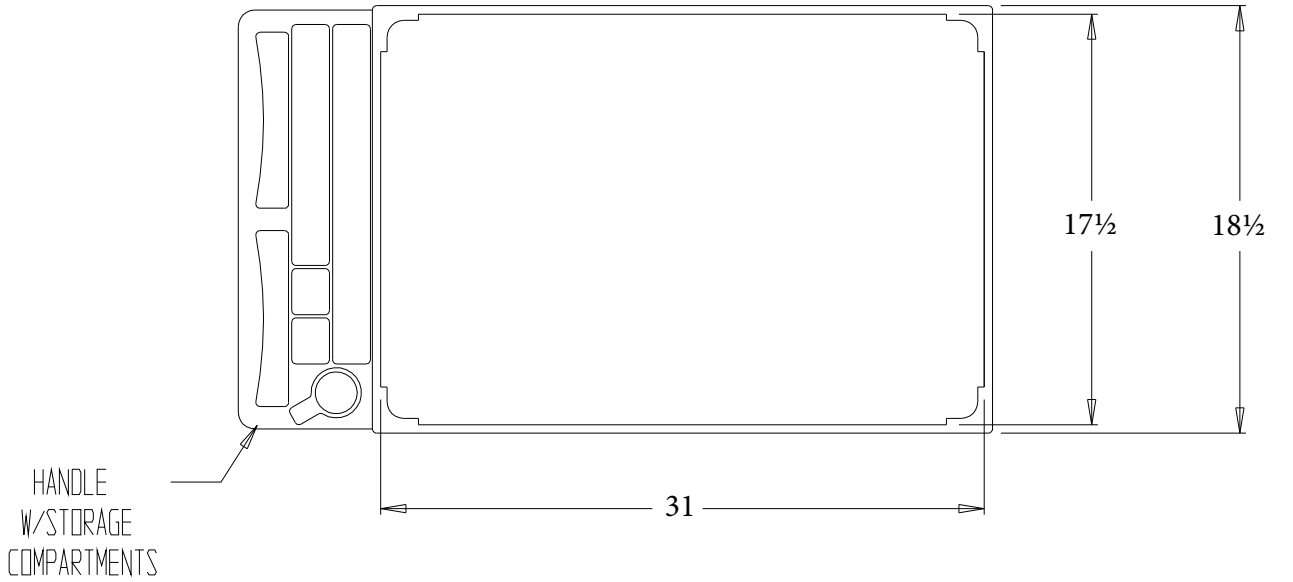


LEAD TIME WILL START UPON
RECEIPT OF SIGNED APPROVAL
DRAWING

PLASTIC UTILITY SERVICE CART, PLSC-2-1731



Any additions, deletions or omissions must be corrected on this drawing, as this drawing will be considered all inclusive.

*** ALL GRAPHICS PROVIDED ARE FOR REFERENCE ONLY. IF CERTAIN DIMENSIONS ARE CRITICAL PLEASE VERIFY THOSE DIMENSIONS WITH YOUR SALESPERSON. ***

STANDARD FEATURES

MODEL NUMBER: **PLSC-2-1731**
 SHELF CAPACITY: **275 LBS**
 UNIT CAPACITY: **550 LBS**
 USABLE SHELF: **17½Wx31Lx4"H**
 OVERALL WIDTH: **18½"**
 OVERALL LENGTH: **40"**
 OVERALL HEIGHT: **33 1/2"**
 SHELF CLEARANCE: **19 5/16"**
 MATERIAL: LIGHTWEIGHT STRUCTURAL FOAM PLASTIC

SPECIAL FEATURES

NONE

**SPECIAL UNITS ARE NON-RETURNABLE
 *AVAILABLE AT ADDITIONAL COSTS

APPROVAL

I, the undersigned, hereby approve this print
 As drawn As marked
 This includes my approval of design & dimensions.
 Signed: _____
 Date: _____

| | | |
|--|--|--|
| DISTRIBUTOR'S NAME: VESTIL MANUFACTURING | | P.O.#: - |
| DRAWN BY: TM | | W.O.#: - |
| DATE: 1-9-06 | | SALES: - |
| REFERENCE: - | | DRWG./FILE NAME: PLSC-2-1731 |
| SCALE: 1:12 | | |