



Vestil Manufacturing Co.
 2999 North Wayne Street, P.O. Box 507, Angola, IN 46703
 Telephone: (260) 665-7586 -or- Toll Free (800) 348-0868
 Fax: (260) 665-1339
 Web: www.vestilmfg.com e-mail: info@vestil.com

PLC-P-FM Manual Pail Lid Closing Press Instruction Manual



Receiving instructions:

After delivery, remove the packaging from the product. Inspect the product closely to determine whether it sustained damage during transport. If damage is discovered, record a complete description of it on the bill of lading. If the product is undamaged, discard the packaging.

NOTE: The end-user is solely responsible for confirming that product design, use, and maintenance comply with laws, regulations, codes, and mandatory standards applied where the product is used.

Replacement Parts and Technical Assistance:

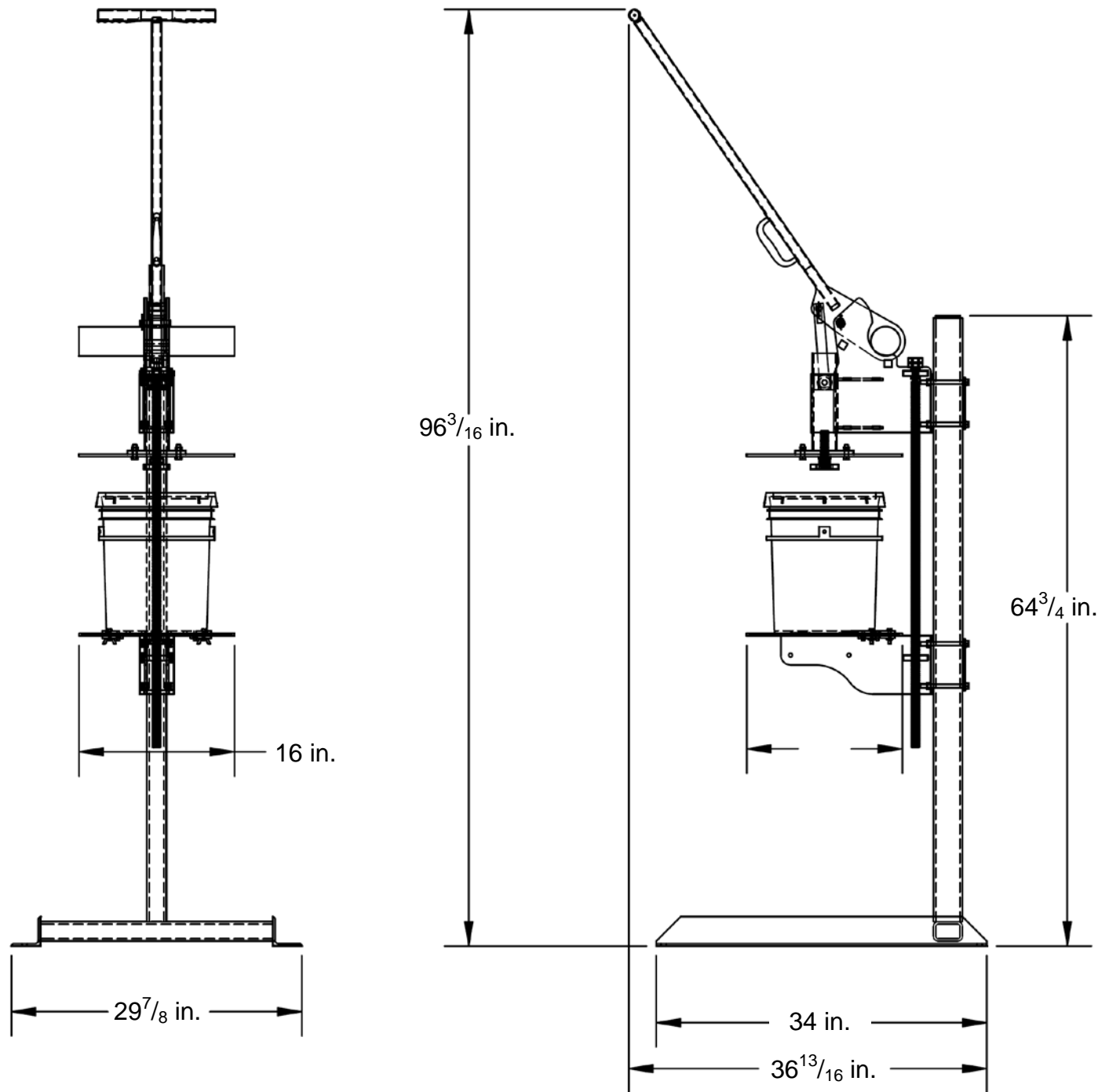
For answers to questions not addressed in these instructions and to order replacement parts, labels, and accessories, call our Technical Service and Parts Department at (260) 665-7586. The department can also be contacted online at http://www.vestilmfg.com/parts_info.htm.

Table of Contents

| | |
|--|---|
| Specifications..... | 2 |
| Signal Words..... | 3 |
| Hazards of Improper Use..... | 3 |
| Record of Normal Condition..... | 3 |
| FIG. 1A: PLC-P-FM exploded view and bill of materials..... | 4 |
| FIG. 1B: Adjust pail stops..... | 4 |
| Pail height adjustment..... | 5 |
| FIG. 2: Height adjustment diagram..... | 5 |
| Use instructions..... | 5 |
| FIG. 3: Center pail beneath platen..... | 5 |
| FIG. 4: Adjust burper plunger assembly..... | 5 |
| Inspections & Maintenance..... | 6 |
| Labeling diagram..... | 6 |
| Limited warranty..... | 7 |

Specifications:

Dimensions and other product specifications of standard wrapping machine models appear in the following diagrams and table:



| Model | A: Overall width | B: Platform width | C: Overall length | D: Platform length | E: Overall height | Capacity | Net weight |
|----------------------------|---|----------------------|--------------------------------------|-----------------------|-------------------------------------|----------|------------|
| PLC-P-FM | 29 ⁷ / ₈ in. | 16 in. | 36 ¹³ / ₁₆ in. | 16 in. | 96 ³ / ₁₆ in. | 250 lb. | 250.7 lb. |
| Optional equipment: | | | | | | | |
| PLC-CK | Caster kit: includes 4 polyurethane swivel stem casters with brakes. Casters are 4in. in diameter and 1 ¹ / ₄ in. wide. | | | | | | 9 lb. |

Signal words:

This manual uses SIGNAL WORDS to indicate the likelihood that a particular action will cause personal injuries or property damage. Signal words also specify the level of seriousness of injury if the product is misused in the ways described. The following signal words are used in this manual.



Identifies a hazardous situation which, if not avoided, **WILL** result in **DEATH** or **SERIOUS INJURY**. Use of this signal word is limited to the most extreme situations.



Identifies a hazardous situation which, if not avoided, **COULD** result in **DEATH** or **SERIOUS INJURY**.



Indicates a hazardous situation which, if not avoided, **COULD** result in **MINOR** or **MODERATE** injury.



Identifies practices likely to result in product/property damage, such as operation that might damage the product.

Hazards of Improper Use:

Vestil strives to identify all hazards associated with the use of our products. However, material handling is dangerous and no manual can address every risk. The most effective means for preventing accidents is for the end-user to exercise common sense and sound judgment whenever using this product.

WARNING *Failure to read and understand the entire manual before assembling, installing, using and servicing the product is a misuse of the product.* If this product is used improperly or carelessly, the operator and/or bystanders might sustain serious personal injuries. To reduce the likelihood of injury:

- DO NOT modify the product in any way UNLESS you first obtain written approval from Vestil. Unapproved modifications automatically void the *Limited Warranty* and might make the product unsafe.
- Read the manual periodically to refresh your understanding of proper use and maintenance procedures.
- DO NOT exceed the 250 pound capacity. See Label 287 in *Labeling diagram* on p. 6.
- Anchor the unit to the ground or lock the casters BEFORE using it.
- Keep clear of the platen and pinch points while using the pail closer.
- Center pails beneath the press platen before applying a lid.
- Be sure that the burper plug (item no. 10 in the *Exploded View* p. 4) contacts the top of each lid before the platen. Adjust the plug according to the *Plunger adjustment* instructions provided on p. 5.
- Adjust the elevation of the pail support to a comfortable height following *Pail height adjustment* instructions on p. 5.
- DO NOT use the pail closer if you observe abnormal motion or hear unusual noises. Immediately tag the unit "Out of service". Restore it to normal condition (see *Record of Normal Condition* below) before returning it to service.
- DO NOT attempt to resolve any problem(s) with the product unless you are both authorized to do so and *certain* that it will be safe to use afterwards.
- DO NOT use this device UNLESS all product labels as shown in the *Labeling Diagram* on p. 6 are readable and undamaged.

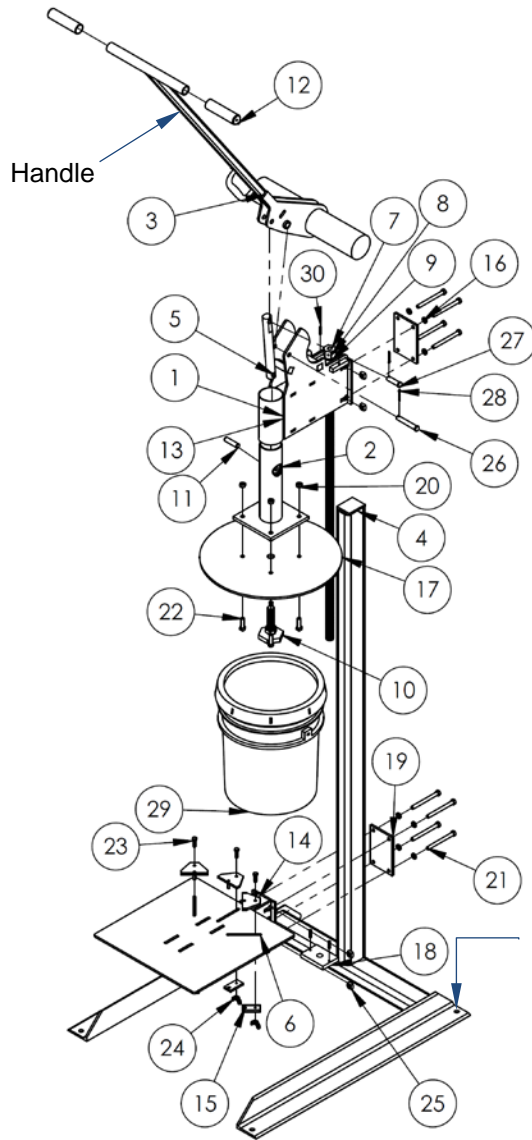
NOTICE Proper use, maintenance, and storage are essential for this product to function properly.

- Periodically lubricate pivot points.
- Keep the product clean & dry.
- Vestil uses only quality parts to make the equipment we manufacture. Vestil bears no responsibility for problems that result as a consequence of using unapproved replacement parts. Contact Vestil to order authorized replacements and spare parts for this equipment.

Record of Normal Condition:

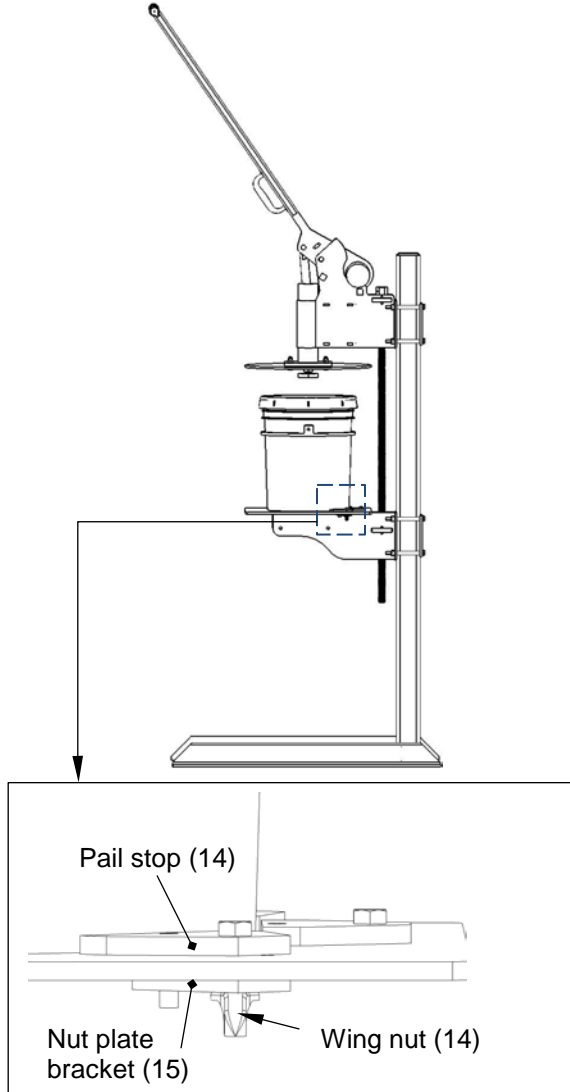
Before using the closer for the first time, create a written record of its appearance and functions. Include detailed descriptions of the frame, pail support, platen, press head weldment, handle, and plunger. Include observations about how much force is required to attach a lid to a pail. Include sounds heard as the handle moves up and down. Thoroughly photograph the unit and all labels. Add the photographs to the record. This record establishes "normal condition". When conducting future *inspections*, compare your observations with the record to determine if a component is in normal condition or requires repair or replacement

FIG. 1A: PLC-P-FM Exploded View & Bill of Materials



Frame has an anchor bolt hole in each corner (total of 4). Fasten frame to floor with 1/2" anchor bolts of appropriate length (selected by your building engineer).

FIG. 1B: Adjust pail stops



| Item | Part no. | Description | Quantity | Item | Part no. | Description | Quantity |
|------|------------|--|----------|------|----------------|---|----------|
| 1 | 40-514-072 | Weldment, frame, press head | 1 | 17 | 40-014-102 | Frame, platen | 1 |
| 2 | 40-514-071 | Weldment, frame, arbor plunger | 1 | 18 | 40-016-102 | Bracket, lift rod | 1 |
| 3 | 40-542-001 | Weldment, lever | 1 | 19 | 40-014-109 | Frame, arm flange, plate | 2 |
| 4 | 40-514-070 | Weldment, floor frame | 1 | 20 | 36106 | 3/8in. - 16 zinc-plated hex nut | 4 |
| 5 | 40-541-002 | Subassembly, piston plunger | 1 | 21 | 11119 | 3/8in. - 16 UNC x 4in. HHCS bolt | 8 |
| 6 | 40-514-068 | Weldment, pail support | 1 | 22 | 11107 | 3/8in. - 16 x 1 1/4in. HHCS #2 zinc-plated bolt | 4 |
| 7 | 40-026-003 | Shaft, threaded, height adjustment | 1 | 23 | 11005 | 1/4in. - 20 UNC x 1in. HHCS #2 zinc-plated bolt | 3 |
| 8 | 40-145-007 | Threaded rod, drive nut | 1 | 24 | 37746 | 5/16in. - 18 wing nut | 3 |
| 9 | 16-110-001 | 1/2in. inner diameter thrust bearing | 2 | 25 | 37623 | 3/8in. - 16 plain square nut | 8 |
| 10 | 40-541-001 | Subassembly, plunger, burper, adjustable | 1 | 26 | 28-112-029 | 3/8in. x 3in. zinc-plated retaining clevis pin | 1 |
| 11 | 40-112-020 | Pin, platen connecting pin | 1 | 27 | 21-112-003 | Clevis pin | 1 |
| 12 | 13-025-023 | 1 1/8in. inner diameter red handle grip | 2 | 28 | 65077 | 1/8in. x 1 1/4in. zinc-plated cotter pin | 2 |
| 13 | 01-111-013 | 1/2in. inner diameter x 1/2in. long DU type bearing sleeve | 2 | 29 | 30-001-062-00A | 5 gallon pail (not included) | 1 |
| 14 | 40-537-009 | Weldment, pail stop | 3 | 30 | 64133 | 3/16in. x 1in. spring pin (FN64133) | 4 |
| 15 | 40-016-101 | Bracket, nut plate | 3 | 31 | 64135 | 3/16in. x 1 1/4in. roll pin (FN64135) | 1 |
| 16 | 33622 | 3/8in. zinc-plated lock washer | 8 | | | | |

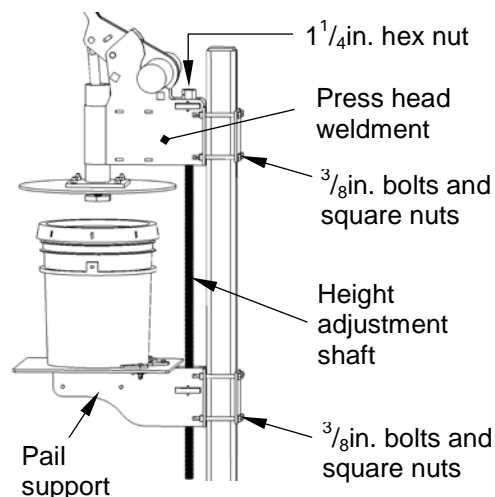
Pail height adjustment:

Before putting the lid closer into regular service, determine whether the height of the pail support is optimal and adjust it if necessary. Features discussed in the following steps are identified in FIG. 2.

1. Loosen the four $\frac{3}{8}$ in. square nuts (item no. 25) and $\frac{3}{8}$ in. bolts (item no. 21) that clamp the pail support to the upright frame. To loosen the connections, use a $\frac{3}{8}$ in. wrench to turn the bolt heads counterclockwise. Loosen the connections just enough to allow the pail support to slide up and down. It is not necessary to disconnect the bolts from the nuts.
2. Connected to the top end of the height adjustment shaft is a $1\frac{1}{4}$ in. hex nut. Using a socket wrench and $1\frac{1}{4}$ in. socket, turn the nut counterclockwise to lower the pail support or clockwise to raise the support.
3. When the height adjustment is complete, tighten the bolts and nuts loosened in step 1.

NOTE: The position of the press head weldment can also be adjusted in the manner described in steps 1-3 above.

FIG. 2: Height adjustment



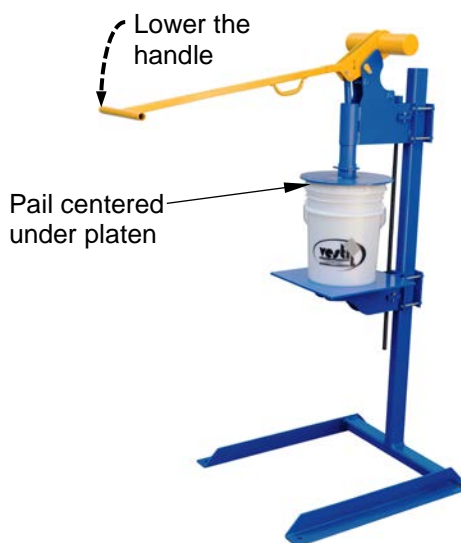
Use instructions:

To use the pail lid closer, apply the following steps.

1. Set a pail on the pail support and place the corresponding lid in position on the top rim of the pail.
2. Fine tune the position of the pail so that it is centered beneath the press platen. If necessary, adjust the positions of the pail stops:
 - a. Loosen the wing nuts (see FIG. 1B on p. 4);
 - b. Slide the stops along the slots in the pail support until they contact the bottom of the pail; then
 - c. Tighten the wing nuts.

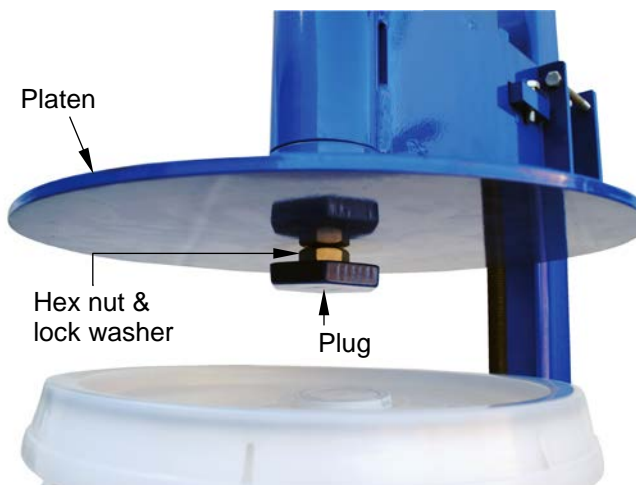
[NOTE: To expedite the adjustment process, mark the pail support to show the appropriate locations of the stops for pails of various sizes.]

FIG. 3: Center pail beneath platen



3. Lower the handle until the platen rests on the lid (see FIG. 3). The burper plug (see FIG. 4) should contact the top of the lid before the platen touches the edges of the lid.
4. Confirm that the lid is properly aligned with the top of the pail; then firmly push the handle down to press the lid onto the pail.
5. Inspect the lid to confirm that it is evenly attached to the rim.

FIG. 4: Adjust burper plunger assembly



The burper plunger assembly consists of 1) a plug welded to a threaded stem, 2) a hex nut and 3) a lock washer.

Plunger adjustment: wind the nut away from the platen. Adjust the separation between the platen and the plug by winding the stem into, or out of, the platen. Tighten the nut against the platen when the adjustment is

Inspections & Maintenance:

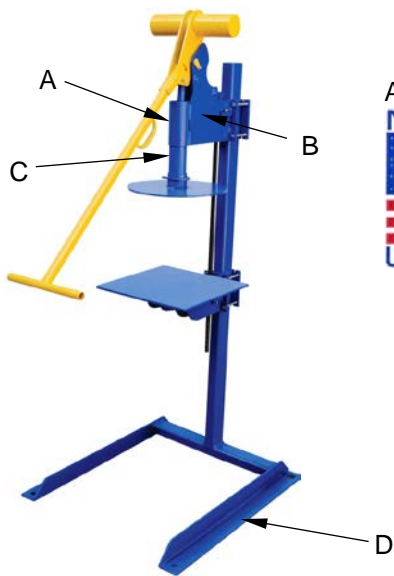
Before each use, inspect the listed components. Compare your observations to the *Record of normal condition* on p. 3. Numbers in parentheses correspond to item numbers in the *Exploded view* on p. 4. DO NOT use the pail closer unless it is in normal condition. Correct all issues discovered during an inspection before returning the unit to service.

1. Piston plunger (5), lever weldment (3), handle, and press head weldment (1): check each of these elements for cracks, warps, bends, and indications of metal fatigue. Replace any component that does not operate normally and cannot be restored to normal operating condition. Move the handle while watching and listening for unusual sound and movement.
2. Floor frame weldment (4): check the structure for bends, warps and cracks. If the unit is anchored to the floor/ground, confirm that the anchor points are solid, i.e. that the unit does not wobble. Make sure that the flooring (concrete, etc.) around the anchor bolts is sound.
3. Platen (17) and pail support (6): inspect both components for damage.
4. Arm flange plates (19) and hardware: make sure that the plates, press head weldment (1) and pail support (6) are firmly and securely fastened together.
5. Product labels: all labels should be readable and located as shown in the “Labeling diagram” below. Replace any label that is unreadable or missing.

NOTE: Label appearance and content is subject to change over time. Consequently, replacement labels might differ from labels shown in the manual supplied with the unit.

Labeling diagram:

Each unit should be labeled as shown in the diagram. However, label content and location are subject to change so your product might not be labeled exactly as shown. Replace all labels that are damaged, missing, or not easily readable (e.g. faded). To order replacement labels, contact the technical service and parts department online at http://www.vestilmfg.com/parts_info.htm. Alternatively, you may request replacement parts and/or service by calling (260) 665-7586 and asking the operator to connect you to the Parts Department.



B: Label 255

| ⚠ WARNING | ⚠ AVISO |
|---|---|
| Improper use constitutes misuse and might result in serious personal injuries. <ul style="list-style-type: none"> • All bolts must be tightened to torque specification before attempting to press lid on bucket. • To adjust distance between bucket base and lid plate, make sure the handle is parallel to the ground. • DO NOT hang from handle. • Lid must snap into place. If not heard, adjust the distance from the bucket lid and lid plate <p style="text-align: center;">Torque specification for position bolts: 16 ft. lbs.</p> | El uso impropio constituye un mal uso y podría resultar en heridas personales graves. <ul style="list-style-type: none"> • Todos los cerrojos deben de ser apretados a la especificación de torsión antes de apretar la tapa al cubo. • Para ajustar distancia entre la base del cubo y el plato de la tapa, asegúrese de que el asidero está paralelo al suelo. • No se cuelgue del asidero. • La tapa debe chasquear en lugar. Si no se oye, ajusta la distancia de la tapa del cubo y la tapa de la chapa <p style="text-align: center;">Especificación de torsión para la posición de los cerrojos: 16</p> |

C: Label 287

| |
|---|
| MODEL/MODÉLO/MODÈLE _____ |
| STATIC CAPACITY (evenly distributed) _____ lbs. |
| LA CAPACIDAD CONSTANTE (distribuida uniformemente) _____ kgs. |
| CAPACITÉ STATIQUE (distribuée régulièrement) _____ kgs. |
| SERIAL/SERIE/SÉRIE _____ |

287 REV 0812

D: Label 204

| ⚠ WARNING | ⚠ ADVERTENCIA | ⚠ AVERTISSEMENT |
|-----------------------|-----------------------------|---------------------------------------|
| SECURE FRAME TO FLOOR | ASEGURE EL BASTIDOR AL PISO | FIXER SOLIDEMENT LE CADRE AU PLANCHER |

204 Rev 1119

Or Label 212 if equipped with casters

| ⚠ WARNING | ⚠ ADVERTENCIA | ⚠ AVERTISSEMENT |
|--|--|---|
| LOCK CASTER when loading and unloading | PONGA EL FRENDO el la rueda cuando se cargue y descargue | VERROUILLER LA ROULETTE en chargeant et decharger |

212 Rev 0908

LIMITED WARRANTY

Vestil Manufacturing Corporation (“Vestil”) warrants this product to be free of defects in material and workmanship during the warranty period. Our warranty obligation is to provide a replacement for a defective, original part covered by the warranty after we receive a proper request from the Warrantee (you) for warranty service.

Who may request service?

Only a warrantee may request service. You are a warrantee if you purchased the product from Vestil or from an authorized distributor AND Vestil has been fully paid.

Definition of “original part”?

An original part is a part used to make the product as shipped to the Warrantee.

What is a “proper request”?

A request for warranty service is proper if Vestil receives: 1) a photocopy of the Customer Invoice that displays the shipping date; AND 2) a written request for warranty service including your name and phone number. Send requests by one of the following methods:

| | | |
|---|--|--|
| <u>US Mail</u> | <u>Fax</u> | <u>Email</u> |
| Vestil Manufacturing Corporation 2999 North Wayne Street, PO Box 507 Angola, IN 46703 | (260) 665-1339 <u>Phone</u> (260) 665-7586 | info@vestil.com Enter “Warranty service request” in subject field. |

In the written request, list the parts believed to be defective and include the address where replacements should be delivered. After Vestil receives your request for warranty service, an authorized representative will contact you to determine whether your claim is covered by the warranty. Before providing warranty service, Vestil will require you to send the entire product, or just the defective part (or parts), to its facility in Angola, IN.

What is covered under the warranty?

The warranty covers defects in the following original, dynamic parts: motors, hydraulic pumps, motor controllers, and cylinders. It also covers defects in original parts that wear under normal usage conditions (“wearing parts”), such as bearings, hoses, wheels, seals, brushes, and batteries.

How long is the warranty period?

The warranty period for original dynamic components is 1 year. The warranty period for optional and accessory equipment (ramps, scales, and powered masts) is 15 days. Both warranty periods begin on the date Vestil ships the product to the Warrantee. If the product was purchased from an authorized distributor, the periods begin when the distributor ships the product. Vestil may, at its sole discretion, extend a warranty period for products shipped from authorized distributors by up to 30 days to account for shipping time.

If a defective part is covered by the warranty, what will Vestil do to correct the problem?

Vestil will provide an appropriate replacement for any *covered* part. An authorized representative of Vestil will contact you to discuss your claim.

What is not covered by the warranty?

The Warrantee (you) is responsible for paying labor costs and freight costs to return the product to Vestil for warranty service.

Events that automatically void this Limited Warranty.

- Misuse;
- Negligent assembly, installation, operation or repair;
- Installation/use in corrosive environments;
- Inadequate or improper maintenance;
- Damage sustained during shipping;
- Collisions or other accidents that damage the product;
- Unauthorized modifications: Do not modify the product IN ANY WAY without first receiving written authorization from Vestil.

Do any other warranties apply to the product?

Vestil Manufacturing Corp. makes no other express warranties. All implied warranties are disclaimed to the extent allowed by law. Any implied warranty not disclaimed is limited in scope to the terms of this Limited Warranty. Vestil makes no warranty or representation that this product complies with any state or local design, performance, or safety code or standard. Noncompliance with any such code or standard is not a defect in material or workmanship.

