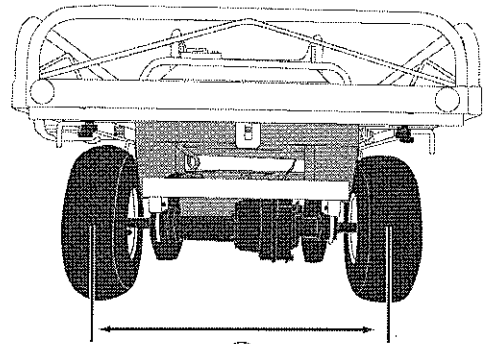
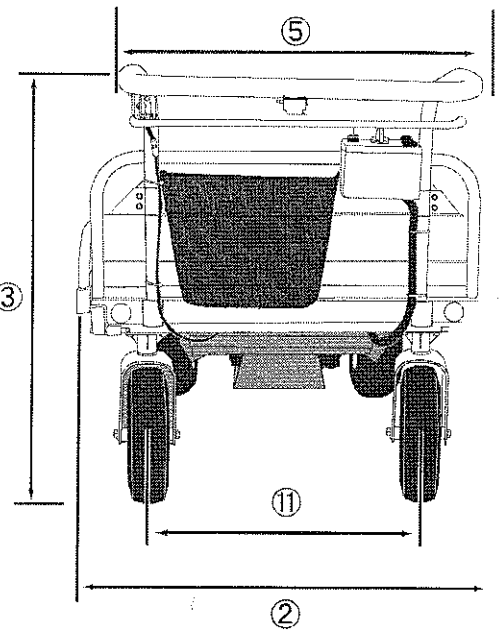


OFF-ROAD TRACTION DRIVE POWERED CART, OROAD-400



⑩

back

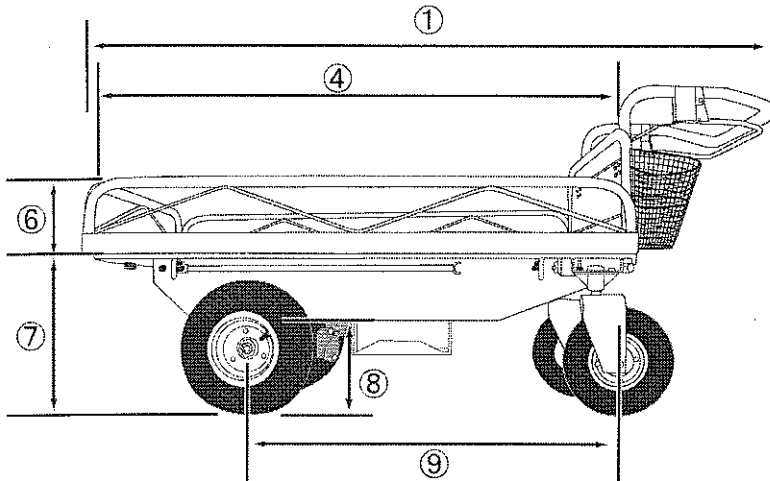


⑤

③

⑪

②



①

④

⑥

⑦

⑧

⑨

**SPECIAL UNITS ARE NON-RETURNABLE
*AVAILABLE AT ADDITIONAL COSTS

STANDARD FEATURES

MODEL NUMBER: OROAD-400
CAPACITY: 500 LBS. ROUGH, 600 lbs SMOOTH
24V DC OPERATION

- (1) = 72"
- (2) = 33 7/16"
- (3) = 37 1/2"
- (4) = 52 3/8"
- (5) = 31 1/2"
- (6) = 7 9/32"
- (7) = 15 3/4"
- (8) = 2 15/16"
- (9) = 36 13/16"
- (10) = 29 9/16"
- (11) = 24"

SPECIAL FEATURES

NONE

APPROVAL

I, the undersigned, hereby approve this print
 As drawn As marked
 This includes my approval of design & dimensions.
 Signed: _____
 Date: _____

		P.O.#:
		W.O.#:
DRAWN BY: SR	DATE: 8-25-08	SALES:
REFERENCE:		DRWG./FILE NAME:
SCALE: N/A		