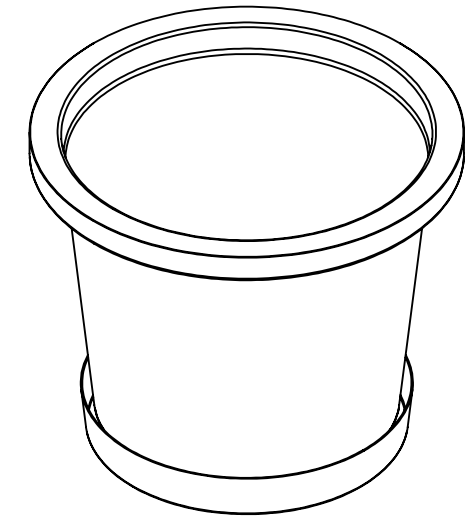
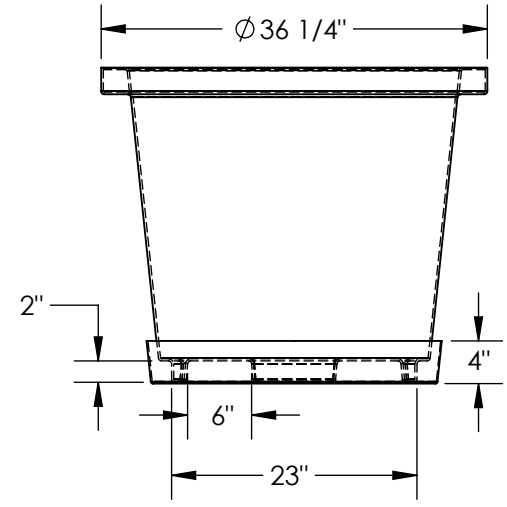
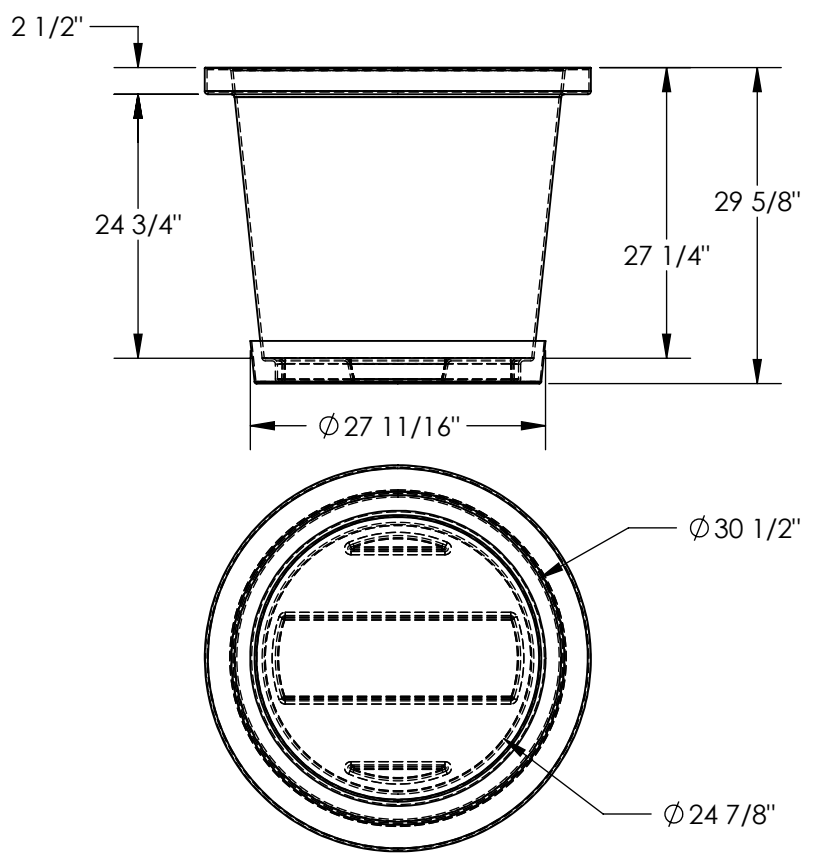


# INDUSTRIAL PLANTER W/ DRIP TRAY - OG-IP-65-GKT

APPROX WEIGHT: 30.28 lbs.  
 DOES NOT INCLUDE WEIGHT OF POWER OR PACKAGING!!!

\*\*\* ANY ADDITIONS, DELETIONS, OR OMISSIONS MUST BE CORRECTED ON THIS DRAWING AS THIS DRAWING WILL BE CONSIDERED ALL INCLUSIVE \*\*\*  
 ALL GRAPHICS PROVIDED ARE FOR REFERENCE ONLY. IF CERTAIN DIMENSIONS ARE CRITICAL PLEASE VERIFY THOSE DIMENSIONS WITH YOUR SALESPERSON



DIMENSION TOLERANCE  $\pm 1/4$ "

## STANDARD FEATURES

- MODEL NUMBER IS: OG-IP-65-GKT
- OVERALL DIAMETER IS: 36 1/4"
- OVERALL HEIGHT IS: 29 5/8"
- FORK SLOTS ARE: 6" WIDE x 2" HIGH
- INCLUDED DRIP TRAY OVERALL DIAMETER IS: 27 11/16"
- INCLUDED DRIP TRAY OVERALL HEIGHT IS: 4"
- MATERIAL IS: HIGH-DENSITY POLYETHYLENE
- COLOR IS: GRANITE KHAKI TAN
- PLANTER MAX WEIGHT CAPACITY IS: 800 LBS
- PLANTER MAX VOLUME CAPACITY IS: 65 GALLONS
- DRIP TRAY MAX VOLUME CAPACITY IS: 9 GALLONS
- DRIP TRAY VOLUME CAPACITY W/ PLANTER IS: 3 GALLONS

## SPECIAL FEATURES

NONE

**A P P R O V A L**

I, THE UNDERSIGNED, AGREE THAT THE PRODUCT AS REPRESENTED SATISFIES DESIGN AND DIMENSION REQUIREMENTS. I ALSO ACKNOWLEDGE MY DUTY TO CONFIRM PRODUCT AND INSTALLATION COMPLIANCE WITH ALL APPLICABLE FEDERAL, STATE AND LOCAL REGULATIONS AND STANDARDS.

**UNITS REQUIRING APPROVAL DRAWINGS OR MODIFIED ARE NON-RETURNABLE**

[ ] As drawn [ ] As marked

Signed: \_\_\_\_\_ Date: \_\_\_\_\_

Printed Name: \_\_\_\_\_

*LEAD TIME WILL START UPON RECEIPT OF SIGNED APPROVAL DRAWING*

FOR INTERNAL USE ONLY PROJECT SIGN OFF		DISTRIBUTOR'S NAME:		P.O.#
		VESTIL MANUFACTURING		X
SALES		DRAWN BY: JGP	DATE: 10/12/2020	W.O.#
ENG.		REFERENCE: X	SCALE: 1:18	X
FAB.		QUOTED LEAD TIME: X	QUOTE #	FILE NAME:
POWER			X	31-007-324