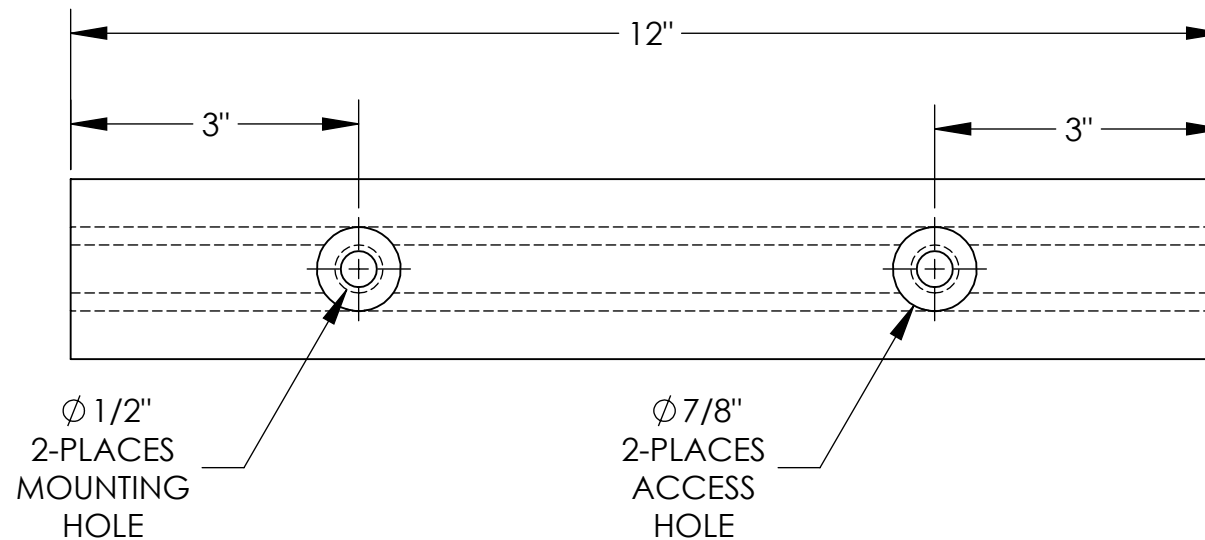
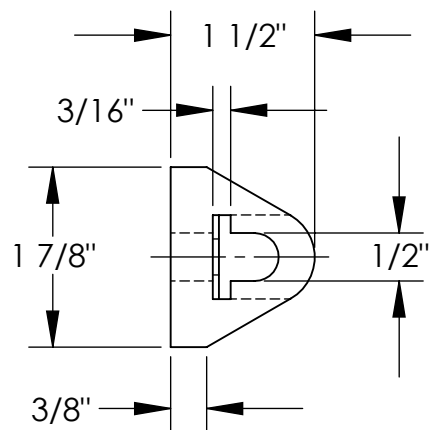


EXTRUDED RUBBER BUMPER - M-2-12

APPROX WEIGHT: 0.71 lbs.
 DOES NOT INCLUDE WEIGHT OF POWER OR PACKAGING!!!

*** ANY ADDITIONS, DELETIONS, OR OMISSIONS MUST BE CORRECTED ON THIS DRAWING AS THIS DRAWING WILL BE CONSIDERED ALL INCLUSIVE ***

ALL GRAPHICS PROVIDED ARE FOR REFERENCE ONLY. IF CERTAIN DIMENSIONS ARE CRITICAL PLEASE VERIFY THOSE DIMENSIONS WITH YOUR SALESPERSON



DIMENSION TOLERANCE $\pm 3/4$ "

STANDARD FEATURES

- MODEL NUMBER IS: M-2-12
- OVERALL WIDTH IS: 1 7/8"
- OVERALL LENGTH IS: 12"
- OVERALL PROJECTION IS: 1 1/2"
- NUMBER OF MOUNTING HOLES: 2
- MOUNTING HOLE SIZE: $\text{Ø}1/2$ "
- ACCESS HOLE SIZE: $\text{Ø}7/8$ "
- DUROMETER READING: A70 \pm 5
- TENSIL: 1850 PSI
- ELONGATION: 220%
- TEAR STRENGTH: 229 LBS
- IMPACT RESISTANCE: 75%
- BUMPER COLOR: BLACK

SPECIAL FEATURES

NONE

APPROVAL	I, THE UNDERSIGNED, AGREE THAT THE PRODUCT AS REPRESENTED SATISFIES DESIGN AND DIMENSION REQUIREMENTS. I ALSO ACKNOWLEDGE MY DUTY TO CONFIRM PRODUCT AND INSTALLATION COMPLIANCE WITH ALL APPLICABLE FEDERAL, STATE AND LOCAL REGULATIONS AND STANDARDS.	
	ANY MODIFIED UNITS ARE NON-RETURNABLE	
	[] As drawn [] As marked	
	Signed: _____ Date: _____	
Printed Name: _____		
<i>LEAD TIME WILL START UPON RECEIPT OF SIGNED APPROVAL DRAWING</i>		

FOR INTERNAL USE ONLY PROJECT SIGN OFF	
SALES	
ENG.	
FAB.	
POWER	

DISTRIBUTOR'S NAME:		P.O.#
VESTIL MANUFACTURING		X
DRAWN BY: JWW		W.O.#
DATE: 04/25/2019		X
REFERENCE: X	SCALE: 1:2	SALES: X
QUOTED LEAD TIME: X	QUOTE #	FILE NAME:
	X	29-007-098