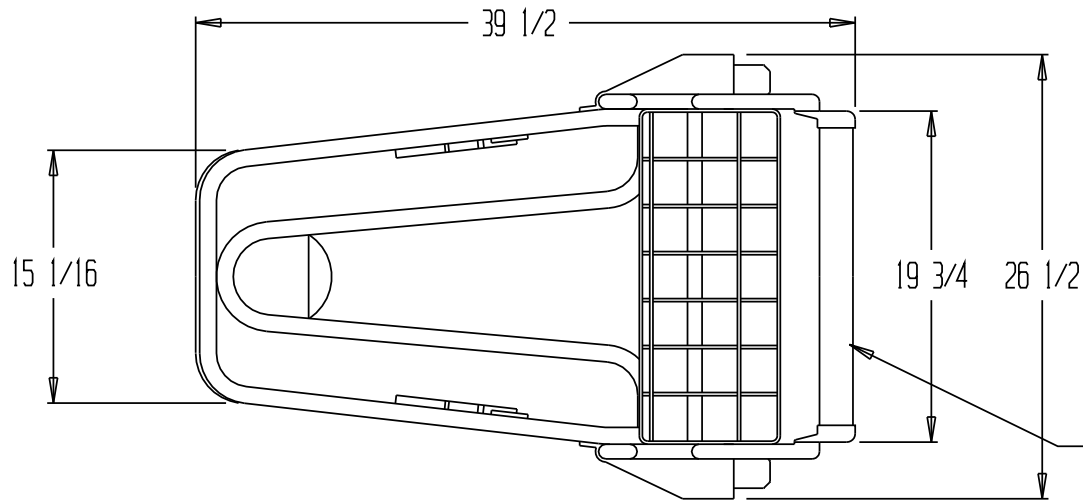


MULTI-USE CART WITH BRAKE - LUG-B



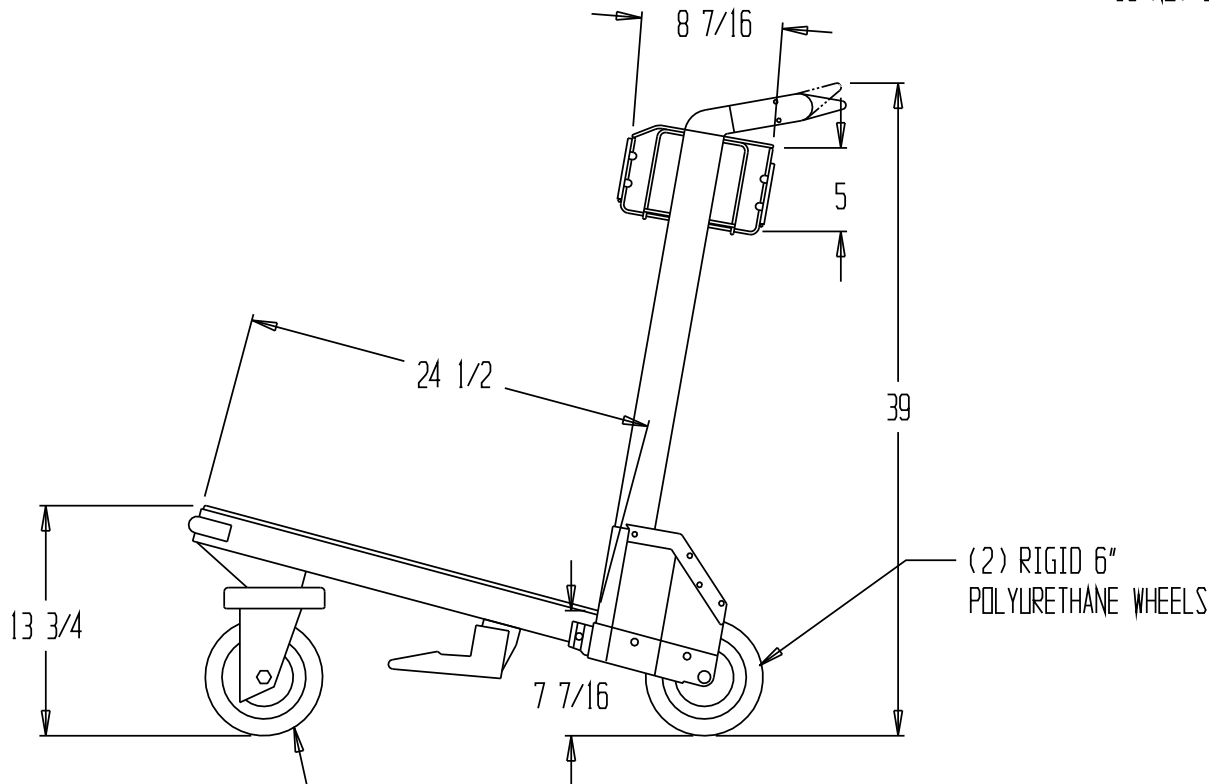
BRAKES AUTOMATICALLY LOCK WHEN CART HANDLE IS NOT SQUEEZED

STANDARD FEATURES

- MODEL NUMBER: LUG-B
- CAPACITY: 550 LBS
- OVERALL WIDTH: 26 1/2"
- OVERALL LENGTH: 39 1/2"
- OVERALL HEIGHT: 39"
- (2) RIGID 6" POLYURETHANE WHEELS
- (1) SWIVEL 6" POLYURETHANE WHEEL

SPECIAL FEATURES

NONE



(1) 6" SWIVEL POLYURETHANE WHEEL

**SPECIAL UNITS ARE NON-RETURNABLE
*AVAILABLE AT ADDITIONAL COSTS

PRODUCTION WILL START UPON RECEIPT OF SIGNED APPROVAL DRAWING

APPROVAL

I, the undersigned, hereby approve this print
 As drawn As marked
 This includes my approval of design & dimensions.
 Signed: _____
 Date: _____

DISTRIBUTOR'S NAME: T & S EQUIPMENT		P.O.#: -
		W.O.#: -
DRAWN BY: KY	DATE: 8/20/04	SALES: -
REFERENCE: -		DRWG./FILE NAME: 30-007-055
scale: 1:12		