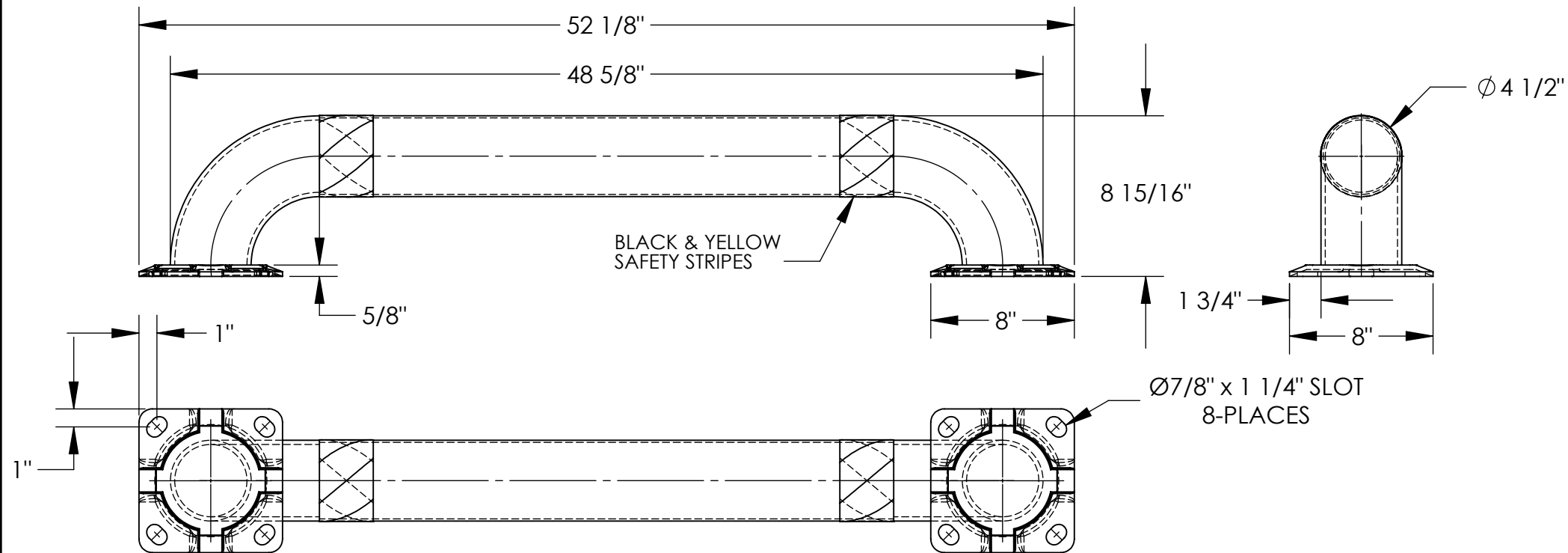


LOW PROFILE MACHINERY GUARD - LPRO-SS-48-9-4

APPROX WEIGHT: 42.06 lbs.
 DOES NOT INCLUDE WEIGHT OF POWER OR PACKAGING!!!

*** ANY ADDITIONS, DELETIONS, OR OMISSIONS MUST BE CORRECTED ON THIS DRAWING AS THIS DRAWING WILL BE CONSIDERED ALL INCLUSIVE ***

ALL GRAPHICS PROVIDED ARE FOR REFERENCE ONLY. IF CERTAIN DIMENSIONS ARE CRITICAL PLEASE VERIFY THOSE DIMENSIONS WITH YOUR SALESPERSON



DIMENSION TOLERANCE ± 1/4"

STANDARD FEATURES

MODEL NUMBER IS LPRO-SS-48-9-4
 MACHINE GUARD HEIGHT: 8 15/16"
 MACHINE GUARD LENGTH: 48 5/8"
 MACHINE GUARD DIAMETER: Ø 4 1/2"
 OVERALL LENGTH IS: 52 1/8"
 INCLUDES 2 MOUNTING BRACKETS
 MATERIAL/FINISH: STAINLESS STEEL
 BLACK AND YELLOW SAFETY STRIPES

SPECIAL FEATURES

NONE

WELDING TO MEET AWS
 WARNING: CHECK APPLICABLE STATE
 & LOCAL LAWS FOR YOUR AREA

APPROVAL

I, THE UNDERSIGNED, AGREE THAT THE PRODUCT AS REPRESENTED SATISFIES DESIGN AND DIMENSION REQUIREMENTS. I ALSO ACKNOWLEDGE MY DUTY TO CONFIRM PRODUCT AND INSTALLATION COMPLIANCE WITH ALL APPLICABLE FEDERAL, STATE AND LOCAL REGULATIONS AND STANDARDS.

ANY MODIFIED UNITS ARE NON-RETURNABLE

[] As drawn [] As marked

Signed: _____ Date: _____

Printed Name: _____

LEAD TIME WILL START UPON RECEIPT OF SIGNED APPROVAL DRAWING

FOR INTERNAL USE ONLY PROJECT SIGN OFF	
SALES	
ENG.	
FAB.	
POWER	

DISTRIBUTOR'S NAME:		P.O.#
VESTIL MANUFACTURING		X
DRAWN BY: ND		W.O.#
DATE: 6/2/2005		X
REFERENCE: X	SCALE: 1:8	SALES: X
QUOTED LEAD TIME: X	QUOTE #	FILE NAME:
	X	23-007-059-001