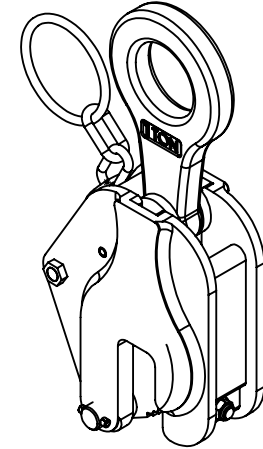
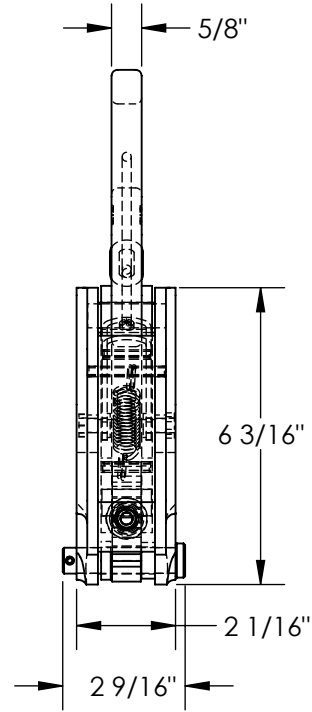
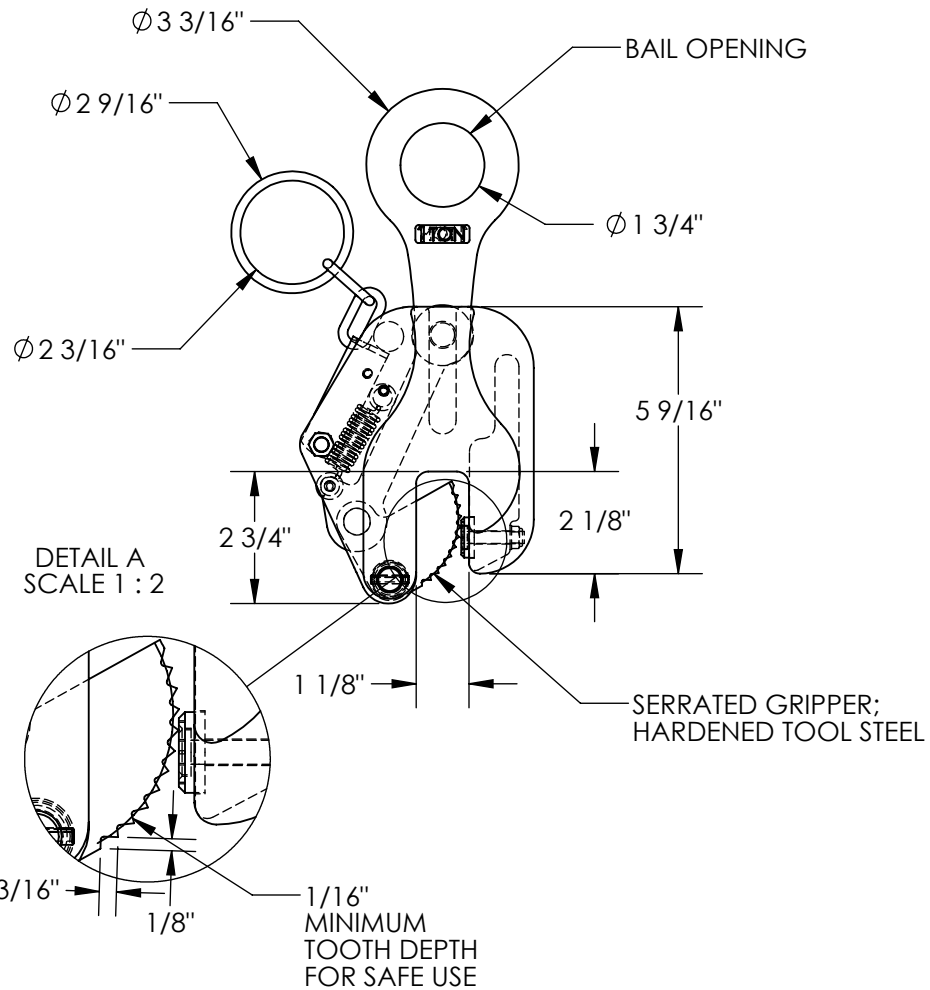


POSITIVE LOCKING PLATE CLAMP - LPC-20

*** ANY ADDITIONS, DELETIONS, OR OMISSIONS MUST BE CORRECTED ON THIS DRAWING AS THIS DRAWING WILL BE CONSIDERED ALL INCLUSIVE ***
 ALL GRAPHICS PROVIDED ARE FOR REFERENCE ONLY. IF CERTAIN DIMENSIONS ARE CRITICAL PLEASE VERIFY THOSE DIMENSIONS WITH YOUR SALESPERSON



**DO NOT USE PLATE CLAMP TO LIFT LOADS LESS THAN 20% OF RATED CAPACITY

DIMENSION TOLERANCE $\pm \frac{1}{4}$ "

STANDARD FEATURES

MODEL NUMBER IS LPC-20
 UNIFORM WORKING LOAD LIMIT: 2,000 LBS.
 MIN. UNIFORM PLATE WEIGHT: 400 LBS.
 MIN. PLATE THICKNESS: 0"
 MAX. PLATE THICKNESS: .80"
 THROAT DEPTH IS: 2.30"
 BAIL OPENING: $\Phi 1 \frac{3}{4}$ "
 APPROX WEIGHT: 9 LBS.

SPECIAL FEATURES

NONE

APPROVAL

I, THE UNDERSIGNED, AGREE THAT THE PRODUCT AS REPRESENTED SATISFIES DESIGN AND DIMENSION REQUIREMENTS. I ALSO ACKNOWLEDGE MY DUTY TO CONFIRM PRODUCT AND INSTALLATION COMPLIANCE WITH ALL APPLICABLE FEDERAL, STATE AND LOCAL REGULATIONS AND STANDARDS.

ANY MODIFIED UNITS ARE NON-RETURNABLE

As drawn As marked

Signed: _____ Date: _____

Printed Name: _____

LEAD TIME WILL START UPON RECEIPT OF SIGNED APPROVAL DRAWING

FOR INTERNAL USE ONLY
 PROJECT SIGN OFF

SALES	
ENG.	
FAB.	
POWER	

DISTRIBUTOR'S NAME:

VESTIL MANUFACTURING

DRAWN BY: TJM

DATE: 04/27/12

REFERENCE: X

SCALE: 1:4

QUOTED LEAD TIME: X

QUOTE # X

P.O.# X

W.O.# X

SALES: X

FILE NAME:

49-007-022