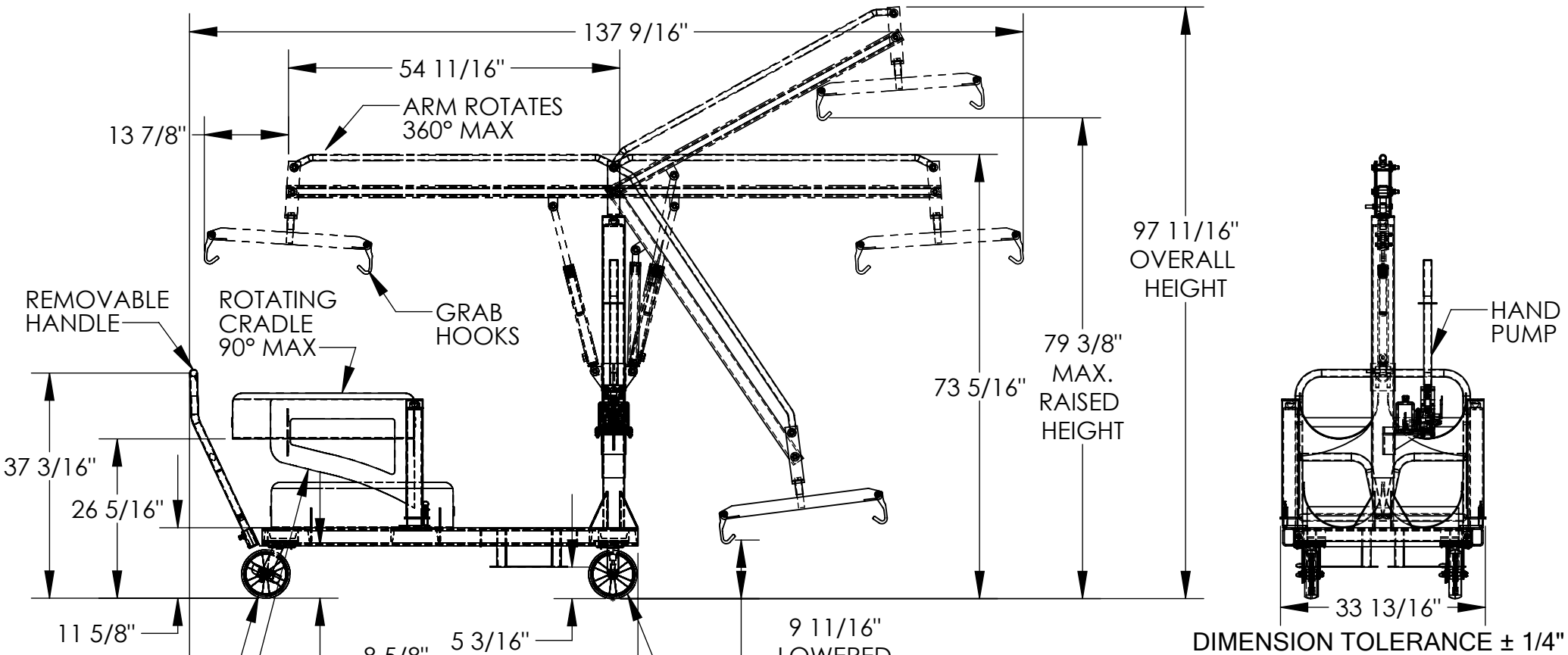


# LP TANK TRUCK- LP-6

APPROX WEIGHT: 566.16 lbs.  
 DOES NOT INCLUDE WEIGHT OF POWER OR PACKAGING!!!

\*\*\* ANY ADDITIONS, DELETIONS, OR OMISSIONS MUST BE CORRECTED ON THIS DRAWING AS THIS DRAWING WILL BE CONSIDERED ALL INCLUSIVE \*\*\*  
 ALL GRAPHICS PROVIDED ARE FOR REFERENCE ONLY. IF CERTAIN DIMENSIONS ARE CRITICAL PLEASE VERIFY THOSE DIMENSIONS WITH YOUR SALESPERSON



## STANDARD FEATURES

- MODEL NUMBER: LP-6
- STORAGE CAPACITY: 6 LP TANKS
- MAX LIFTING CAPACITY: 100 LBS.
- MAXIMUM TANK DIAMETER: Ø12 1/2"
- ARM SERVICE RANGE: 9 11/16" TO 79 3/8"
- OVERALL WIDTH: 33 13/16"
- OVERALL LENGTH: 137 9/16"
- OVERALL HEIGHT: 97 11/16"
- GROUND CLEARANCE: 73 5/16" AT REAR OF UNIT  
5 3/16" AT FRONT OF UNIT
- Ø8" x 2" GLASS FILLED NYLON CASTERS:
- TWO SWIVEL W/BRAKE, TWO RIGID
- BLUE LIQUID PAINT FINISH

## SPECIAL FEATURES

NONE

**APPROVAL**

I, THE UNDERSIGNED, AGREE THAT THE PRODUCT AS REPRESENTED SATISFIES DESIGN AND DIMENSION REQUIREMENTS. I ALSO ACKNOWLEDGE MY DUTY TO CONFIRM PRODUCT AND INSTALLATION COMPLIANCE WITH ALL APPLICABLE FEDERAL, STATE AND LOCAL REGULATIONS AND STANDARDS.

**ANY MODIFIED UNITS ARE NON-RETURNABLE**

[ ] As drawn [ ] As marked

Signed: \_\_\_\_\_ Date: \_\_\_\_\_

Printed Name: \_\_\_\_\_

LEAD TIME WILL START UPON RECEIPT OF SIGNED APPROVAL DRAWING

FOR INTERNAL USE ONLY PROJECT SIGN OFF	
SALES	
ENG.	
FAB.	
POWER	

DISTRIBUTOR'S NAME:		P.O.#
VESTIL MANUFACTURING		X
DRAWN BY: TAL		W.O.#
DATE: 5/26/2016		X
REFERENCE: X	SCALE: 1:24	SALES: X
QUOTED LEAD TIME: X	QUOTE #	FILE NAME:
	X	33-007-146