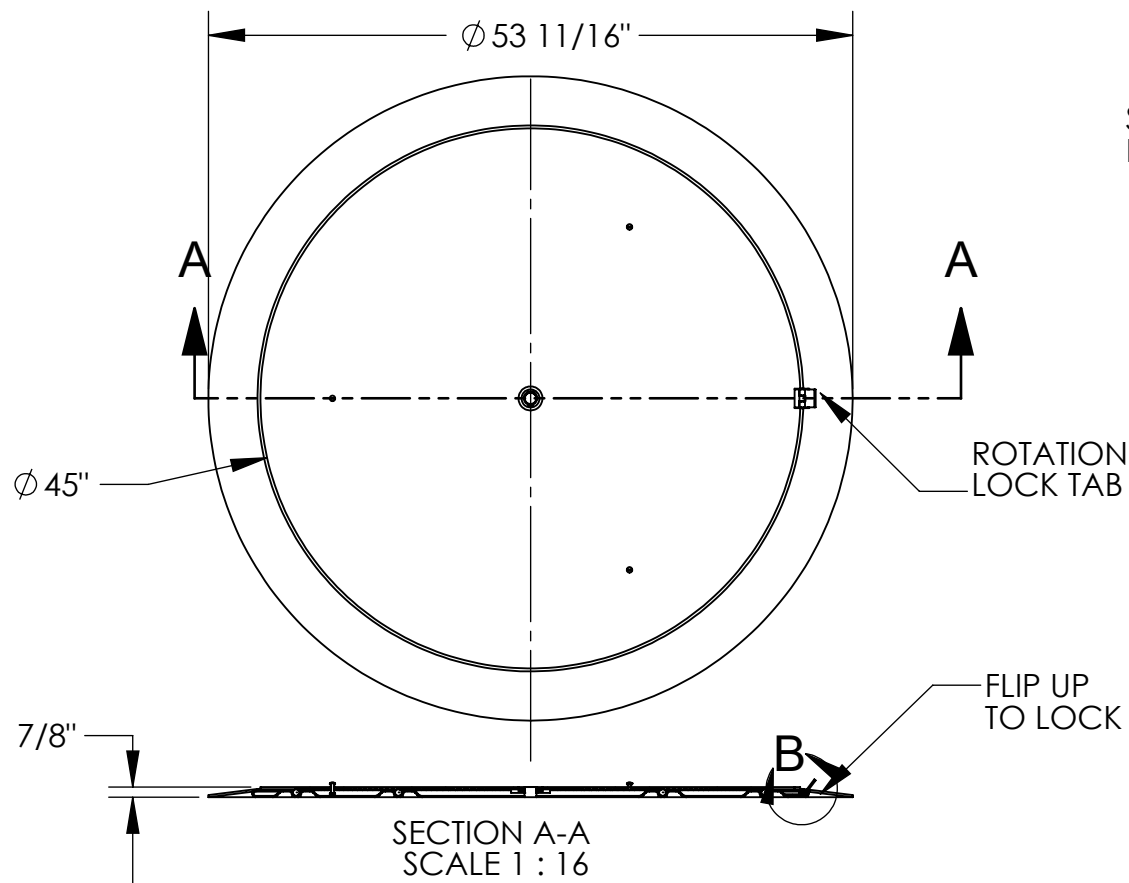


THIN SPIN - PALLET TRUCK LOADABLE CAROUSEL - LP-4000T-45

APPROX WEIGHT: 178.38 lbs.
 DOES NOT INCLUDE WEIGHT OF POWER OR PACKAGING!!!

*** ANY ADDITIONS, DELETIONS, OR OMISSIONS MUST BE CORRECTED ON THIS DRAWING AS THIS DRAWING WILL BE CONSIDERED ALL INCLUSIVE ***

ALL GRAPHICS PROVIDED ARE FOR REFERENCE ONLY. IF CERTAIN DIMENSIONS ARE CRITICAL PLEASE VERIFY THOSE DIMENSIONS WITH YOUR SALESPERSON



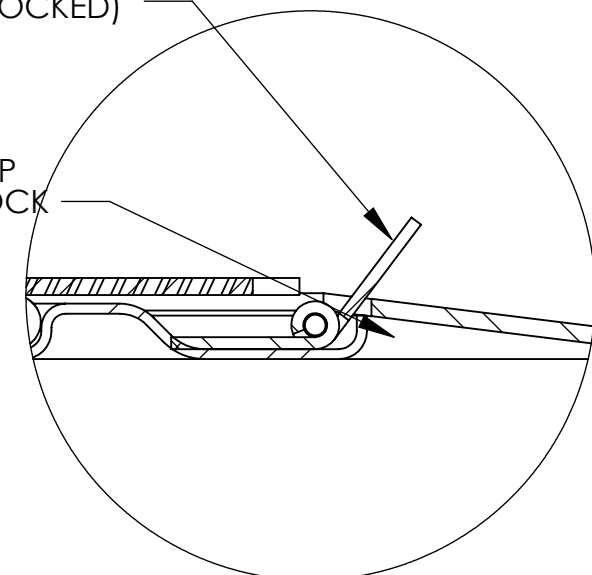
SHOWS ROTATION
 LOCK TAB (UNLOCKED)

FLIP UP
 TO LOCK

ROTATION
 LOCK TAB

FLIP UP
 TO LOCK

SECTION A-A
 SCALE 1 : 16



DETAIL B
 SCALE 1 : 2

DIMENSION TOLERANCE ± 1/4"

STANDARD FEATURES

- MODEL NUMBER IS LP-4000T-45
- CAPACITY IS 4,000 LBS
- USEABLE DIAMETER IS 45"
- OVERALL DIAMETER IS 53 11/16"
- OVERALL HEIGHT IS 7/8"
- STARTING FORCE: 35 LBS @ 4,000 LBS
- MAINTAIN FORCE : 25 LBS @ 4,000 LBS
- DURABLE LIQUID PAINT BLUE FINISH

SPECIAL FEATURES

NONE

APPROVAL	I, THE UNDERSIGNED, AGREE THAT THE PRODUCT AS REPRESENTED SATISFIES DESIGN AND DIMENSION REQUIREMENTS. I ALSO ACKNOWLEDGE MY DUTY TO CONFIRM PRODUCT AND INSTALLATION COMPLIANCE WITH ALL APPLICABLE FEDERAL, STATE AND LOCAL REGULATIONS AND STANDARDS.	
	ANY MODIFIED UNITS ARE NON-RETURNABLE	
	[] As drawn	[] As marked
	Signed: _____	Date: _____
Printed Name: _____		
<i>LEAD TIME WILL START UPON RECEIPT OF SIGNED APPROVAL DRAWING</i>		

FOR INTERNAL USE ONLY PROJECT SIGN OFF	
SALES	
ENG.	
FAB.	
POWER	

DISTRIBUTOR'S NAME:		P.O.#
VESTIL MANUFACTURING		X
DRAWN BY: MSC		W.O.#
DATE: 09/20/2006		X
REFERENCE: X	SCALE: 1:12	SALES: X
QUOTED LEAD TIME: X	QUOTE #	FILE NAME:
	X	20-007-069