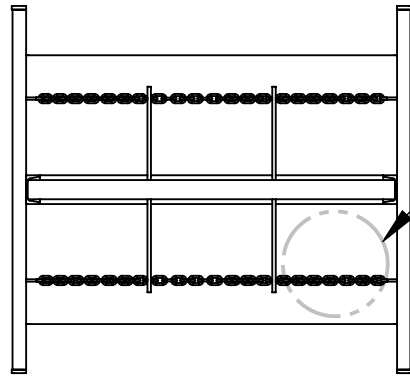


# CYLINDER EQUIPMENT CADDY - LP-170

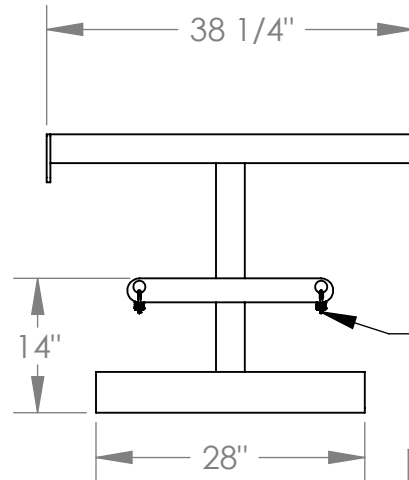
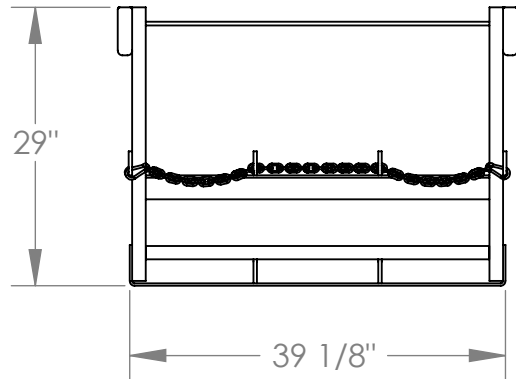
APPROX WEIGHT: 206.32 lbs.  
DOES NOT INCLUDE WEIGHT OF POWER OR PACKAGING!!!

\*\*\* ANY ADDITIONS, DELETIONS, OR OMISSIONS MUST BE CORRECTED ON THIS DRAWING AS THIS DRAWING WILL BE CONSIDERED ALL INCLUSIVE \*\*\*

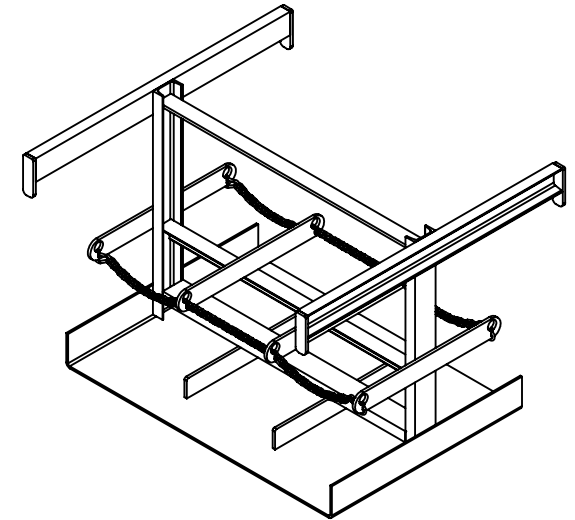
ALL GRAPHICS PROVIDED ARE FOR REFERENCE ONLY. IF CERTAIN DIMENSIONS ARE CRITICAL PLEASE VERIFY THOSE DIMENSIONS WITH YOUR SALESPERSON



Ø12" MAXIMUM  
CYLINDER DIAMETER



(2) 48" LG CHAIN  
W/ SNAP HOOKS



DIMENSION TOLERANCE ± 1/4"

**A  
P  
P  
R  
O  
V  
A  
L**

I, THE UNDERSIGNED, AGREE THAT THE PRODUCT AS REPRESENTED SATISFIES DESIGN AND DIMENSION REQUIREMENTS. I ALSO ACKNOWLEDGE MY DUTY TO CONFIRM PRODUCT AND INSTALLATION COMPLIANCE WITH ALL APPLICABLE FEDERAL, STATE AND LOCAL REGULATIONS AND STANDARDS.

**ANY MODIFIED UNITS ARE NON-RETURNABLE**

As drawn       As marked

Signed: \_\_\_\_\_ Date: \_\_\_\_\_

Printed Name: \_\_\_\_\_

*LEAD TIME WILL START UPON RECEIPT OF SIGNED APPROVAL DRAWING*

## STANDARD FEATURES

- MODEL NUMBER: LP-170
- CAPACITY 1,000 LBS
- OVERALL WIDTH: 38 1/4"
- OVERALL LENGTH: 39 1/8"
- OVERALL HEIGHT: 29"
- HOLDS UP TO 6 LP TANKS
- STEEL CONSTRUCTION
- 48" SAFETY CHAINS
- PORTABLE WITH FORK TRUCK
- FINISH: POWDER COAT BLUE

## SPECIAL FEATURES

NONE

|   |  |
|---|--|
| FOR INTERNAL USE ONLY<br>PROJECT SIGN OFF |  |
| SALES                                     |  |
| ENG.                                      |  |
| FAB.                                      |  |
| POWER                                     |  |

|                      |          |            |
|----------------------|----------|------------|
| DISTRIBUTOR'S NAME:  |          | P.O.#      |
| VESTIL MANUFACTURING |          | X          |
| DRAWN BY:            | DATE:    | W.O.#      |
| Q. WESTFALL          | 02/09/07 | X          |
| REFERENCE:           | SCALE:   | SALES:     |
| X                    | 1:20     | X          |
| QUOTED LEAD TIME:    | QUOTE #  | FILE NAME: |
| X                    | X        | 16-007-140 |