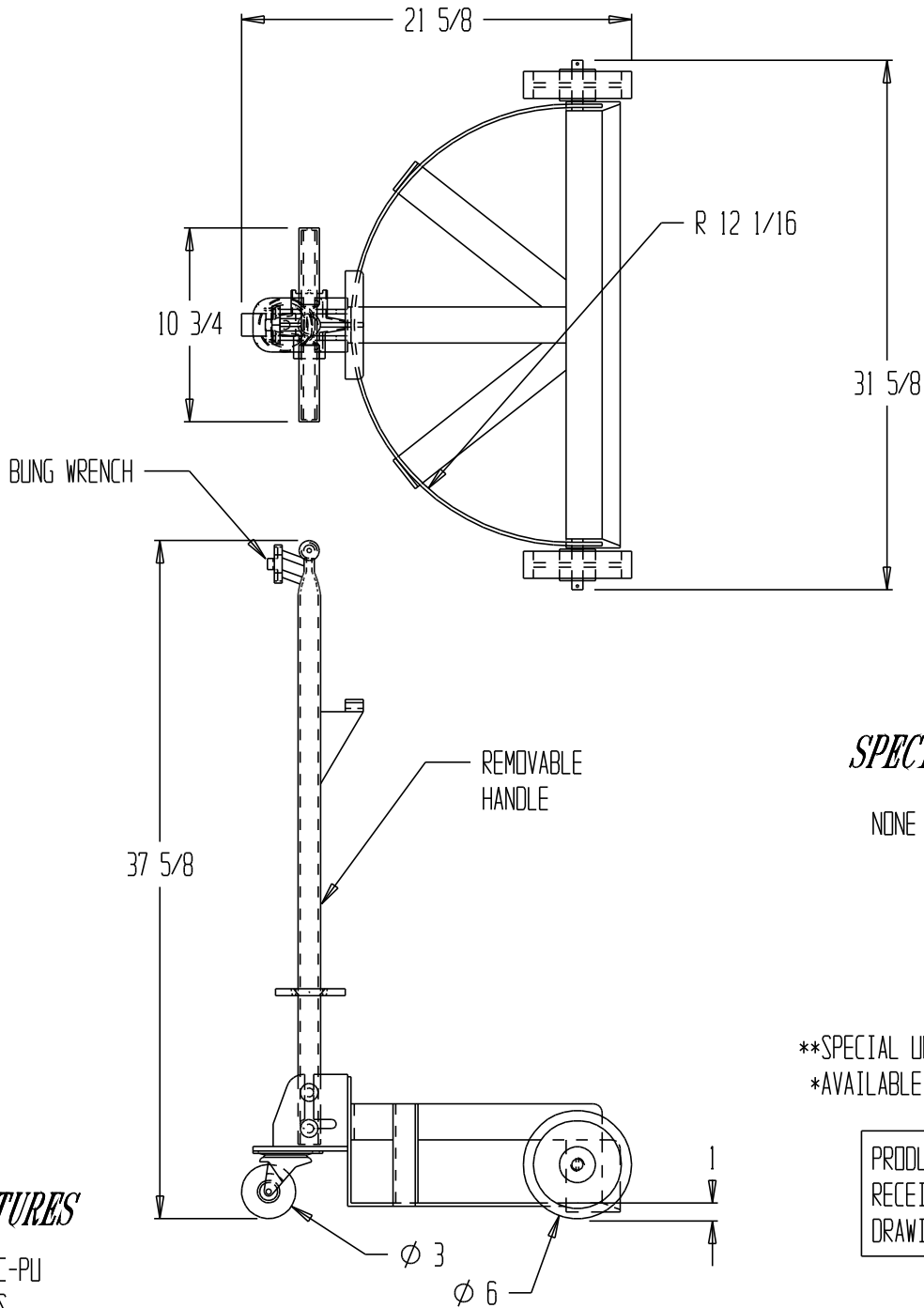


LOW PROFILE DRUM DOLLY, LO-DC-PU



STANDARD FEATURES

MODEL NUMBER: LO-DC-PU
 CAPACITY: 1,200 LBS
 CASTERS: (2) - FRONT, ϕ 6" POLY ON STEEL WHEELS
 (1) - BACK, ϕ 3" - SWIVEL
 OVERALL LENGTH: 21 5/8 INCHES
 OVERALL WIDTH: 31 5/8 INCHES
 OVERALL HEIGHT: 37 5/8 INCHES
 INCLUDES REMOVABLE PIVOTING HANDLE
 W/ BUILT IN BUNG NUT WRENCH,
 SEAL REMOVER AND DRUM LIFTER BAR

SPECIAL FEATURES

NONE

**SPECIAL UNITS ARE NON-RETURNABLE
 *AVAILABLE AT ADDITIONAL COSTS

PRODUCTION WILL START UPON
 RECEIPT OF SIGNED APPROVAL
 DRAWING

A I, THE UNDERSIGNED, AGREE THAT THE PRODUCT AS REPRESENTED
 P SATISFIES DESIGN & DIMENSION REQUIREMENTS. I ALSO ACKNOWLEDGE
 P MY DUTY TO CONFIRM PRODUCT & INSTALLATION COMPLIANCE WITH ALL
 R APPLICABLE FEDERAL, STATE AND LOCAL REGULATIONS & STANDARDS.
 V **ALL SPECIAL UNITS ARE NON-RETURNABLE**
 A [] As drawn [] As marked
 L Signed: _____ Date: _____
 LEAD TIME WILL START UPON RECEIPT OF SIGNED APPROVAL DRAWING

DISTRIBUTOR'S NAME: VESTIL MFG		P.O.#: _
DRAWN BY: TJM		DATE: 1/30/2012
REFERENCE: _	SCALE: 1:10	SALES: _
QUOTED LEADTIME: _	QUOTE #: _	DRWG./FILE NAME: 16-007-310