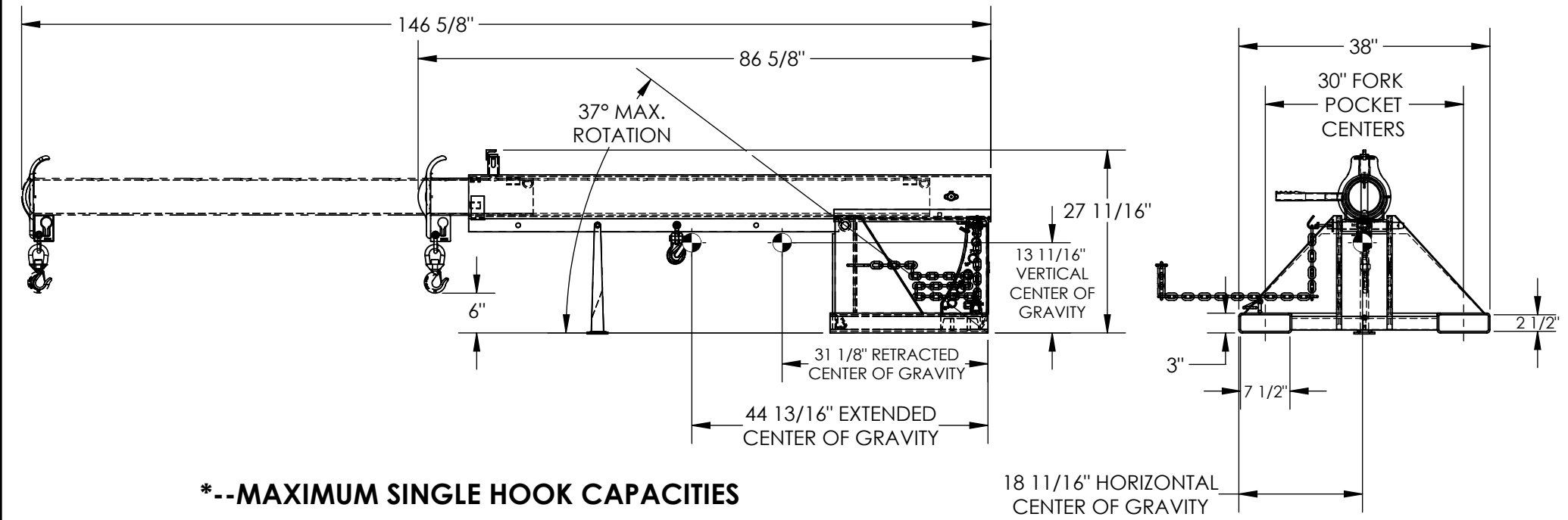


LIFT MASTER BOOM, ORBIT TELESCOPING BOOM-LM-OBT-4-30

APPROX WEIGHT: 465.11 lbs.
 DOES NOT INCLUDE WEIGHT OF POWER OR PACKAGING!!!

*** ANY ADDITIONS, DELETIONS, OR OMISSIONS MUST BE CORRECTED ON THIS DRAWING AS THIS DRAWING WILL BE CONSIDERED ALL INCLUSIVE ***
 ALL GRAPHICS PROVIDED ARE FOR REFERENCE ONLY. IF CERTAIN DIMENSIONS ARE CRITICAL PLEASE VERIFY THOSE DIMENSIONS WITH YOUR SALESPERSON



*--MAXIMUM SINGLE HOOK CAPACITIES

DISTANCE	36"	48"	60"	72"	84"	96"	108"	120"	132"	144"
CAPACITY	4000	3750	3500	3250	3000	2750	2500	2250	2000	1750

STANDARD FEATURES

- MODEL NUMBER IS LM-OBT-4-30
- CAPACITY IS 4,000 LBS
- MAXIMUM TILT ANGLE IS 37°
- OVERALL HEIGHT - 27 11/16"
- HEIGHT (MAX TILTED) - 99 1/2"
- LENGTH RETRACTED - 86 5/8"
- LENGTH EXTENDED - 146 5/8"
- OVERALL WIDTH IS 38"
- 36" MINIMUM HOOK POINT
- 144" MAXIMUM HOOK POINT
- HOOK HEIGHT - 6"
- HOOK HEIGHT (MAX TILTED) - 78 5/16"
- USABLE FORK POCKET - 2 1/2"x7 1/2"
- 30" FORK POCKET CENTERS
- TOUGH BAKED IN POWDER COATED
- BLUE BASE FRAME W/ YELLOW EXTENSION

- APPROX. WEIGHT / LOST LOAD = 465.11
- MINIMUM EFFECTIVE THICKNESS = LESS THAN 1"
- NEVER EXCEED LOAD CENTER
- RATING PER FORKTRUCK
- MANUFACTURERS GUIDELINES.
- DO NOT USE THIS FORK TRUCK
- ATTACHMENT IF LOAD WILL
- EXCEED FORK TRUCK MANUFACTURER'S
- LOAD CENTER RATING

SPECIAL FEATURES

NONE

DIMENSION TOLERANCE ± 1/4"

APPROVAL

I, THE UNDERSIGNED, AGREE THAT THE PRODUCT AS REPRESENTED SATISFIES DESIGN AND DIMENSION REQUIREMENTS. I ALSO ACKNOWLEDGE MY DUTY TO CONFIRM PRODUCT AND INSTALLATION COMPLIANCE WITH ALL APPLICABLE FEDERAL, STATE AND LOCAL REGULATIONS AND STANDARDS.

ANY MODIFIED UNITS ARE NON-RETURNABLE

[] As drawn [] As marked

Signed: _____ Date: _____

Printed Name: _____

LEAD TIME WILL START UPON RECEIPT OF SIGNED APPROVAL DRAWING

FOR INTERNAL USE ONLY PROJECT SIGN OFF	
SALES	
ENG.	
FAB.	
POWER	

DISTRIBUTOR'S NAME:		P.O.#
VESTIL MANUFACTURING		X
DRAWN BY: B.NOTHNAGEL		W.O.#
DATE: 7/1/2015		X
REFERENCE: X	SCALE: 1:22	SALES: X
QUOTED LEAD TIME: X	QUOTE #	FILE NAME:
	X	08-007-303