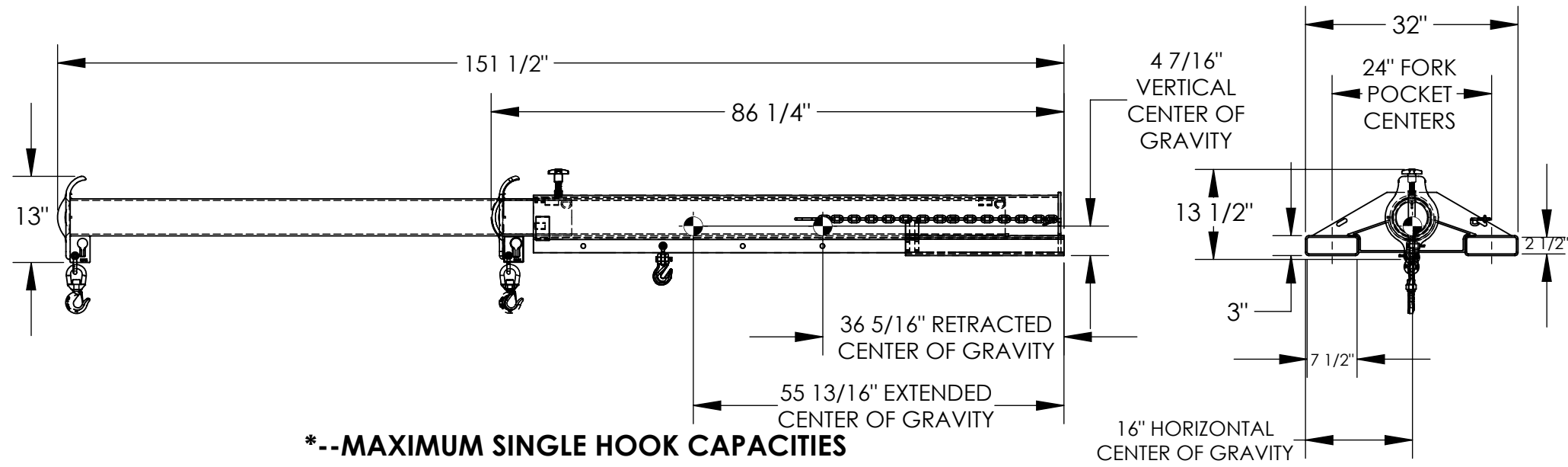


LIFT MASTER BOOM, TELESCOPING ECONOMY BOOM - LM-EBT-4-24

APPROX WEIGHT: 358.65 lbs.
 DOES NOT INCLUDE WEIGHT OF POWER OR PACKAGING!!!

*** ANY ADDITIONS, DELETIONS, OR OMISSIONS MUST BE CORRECTED ON THIS DRAWING AS THIS DRAWING WILL BE CONSIDERED ALL INCLUSIVE ***
 ALL GRAPHICS PROVIDED ARE FOR REFERENCE ONLY. IF CERTAIN DIMENSIONS ARE CRITICAL PLEASE VERIFY THOSE DIMENSIONS WITH YOUR SALESPERSON



*--MAXIMUM SINGLE HOOK CAPACITIES

DISTANCE	36"	48"	60"	72"	84"	96"	108"	120"	132"	144"
CAPACITY	4000	3750	3500	3250	3000	2750	2500	2250	2000	1750

STANDARD FEATURES

- MODEL NUMBER: LM-EBT-4-24
- CAPACITY: 4,000 LBS
- LOST LOAD - 360 LBS
- OVERALL HEIGHT - 13 1/2"
- LENGTH (RETRACTED) - 86 1/4"
- LENGTH (EXTENDED) - 151 1/2"
- OVERALL WIDTH - 32"
- USABLE FORK POCKET - 2 1/2" X 7 1/2"
- 24" FORK POCKET CENTERS
- 36" MINIMUM HOOK POINT
- 144" MAXIMUM HOOK POINT
- EFFECTIVE THICKNESS: LESS THAN 1"
- TOUGH BAKED IN POWDER COATED
- BLUE BASE FRAME WITH YELLOW EXTENSION

SPECIAL FEATURES

NONE

DIMENSION TOLERANCE ± 1/4"

I, THE UNDERSIGNED, AGREE THAT THE PRODUCT AS REPRESENTED SATISFIES DESIGN AND DIMENSION REQUIREMENTS. I ALSO ACKNOWLEDGE MY DUTY TO CONFIRM PRODUCT AND INSTALLATION COMPLIANCE WITH ALL APPLICABLE FEDERAL, STATE AND LOCAL REGULATIONS AND STANDARDS.

ANY MODIFIED UNITS ARE NON-RETURNABLE

[] As drawn [] As marked

Signed: _____ Date: _____

Printed Name: _____

LEAD TIME WILL START UPON RECEIPT OF SIGNED APPROVAL DRAWING

NEVER EXCEED LOAD CENTER RATING PER FORK TRUCK MANUFACTURER'S GUIDELINES.
 DO NOT USE THIS FORK TRUCK ATTACHMENT IF LOAD WILL EXCEED FORK TRUCK MANUFACTURER'S LOAD CENTER RATING.

FOR INTERNAL USE ONLY PROJECT SIGN OFF	
SALES	
ENG.	
FAB.	
POWER	

DISTRIBUTOR'S NAME:		P.O.#
VESTIL MANUFACTURING		X
DRAWN BY: B.NOTHNAGEL		W.O.#
DATE: 6/23/2015		X
REFERENCE: X	SCALE: 1:22	SALES: X
QUOTED LEAD TIME: X	QUOTE #	FILE NAME:
	X	08-007-001