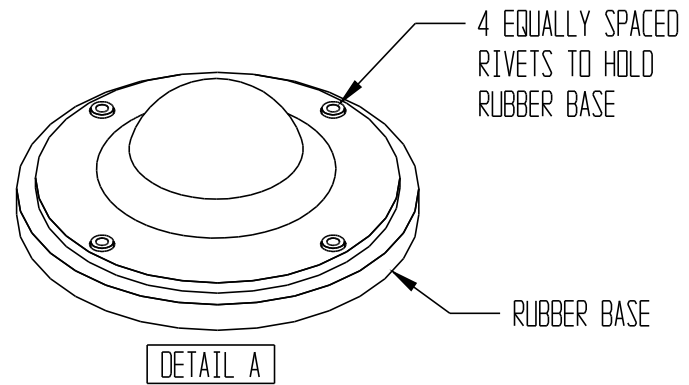
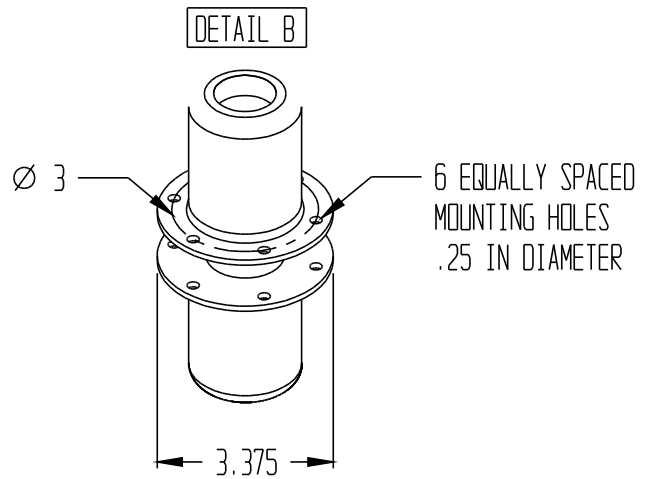
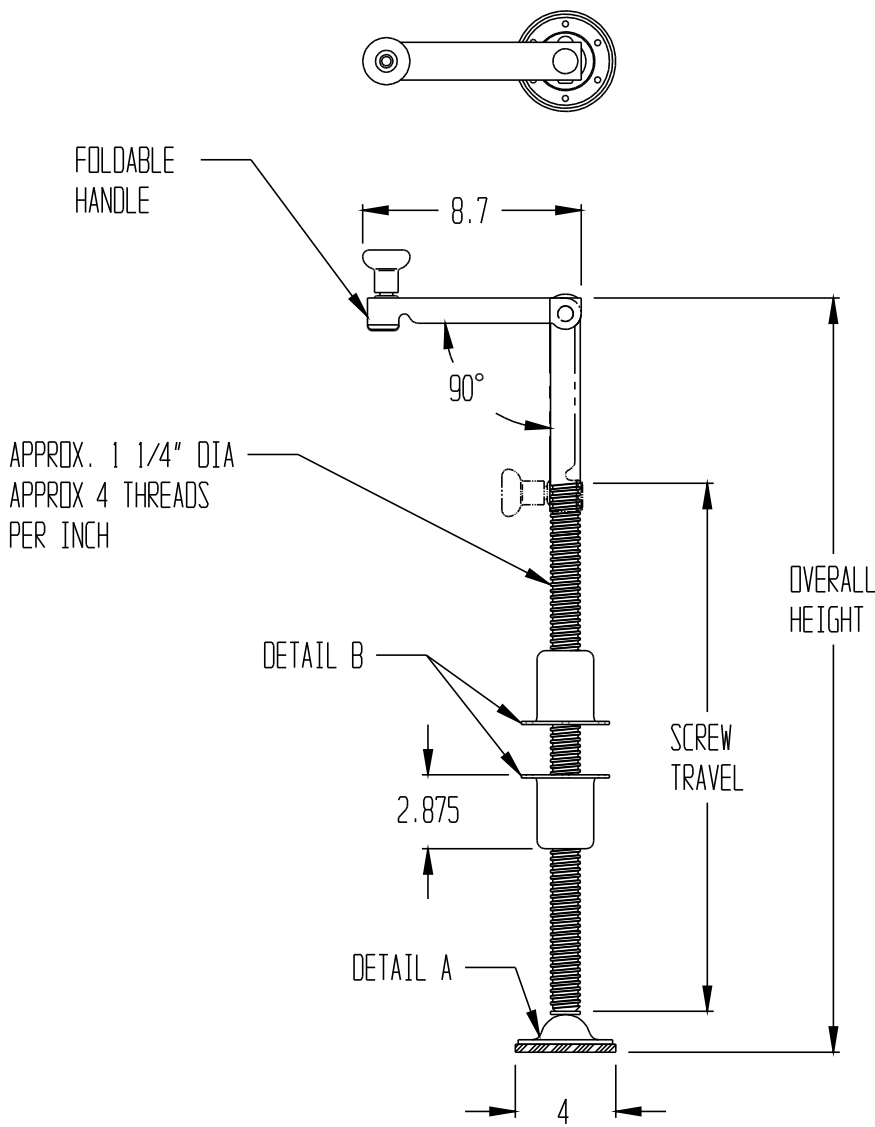


LEVELING JACK - LJ-21



STANDARD FEATURES

LEVELING JACK MODEL NUMBER LJ-21
 MINIMUM EXTENDED HEIGHT IS 4-1/2 INCHES
 MAXIMUM EXTENDED HEIGHT IS 25-1/2 INCHES
 OVERALL HEIGHT IS 30 INCHES
 SCREW TRAVEL IS 21 INCHES
 LIFT CAPACITY IS 5000 LBS.
 HOLDING CAPACITY IS 10,000 LBS.
 FOLDABLE 8 INCH HANDLE
 THREE ROTATIONS YIELD ONE INCH STROKE

SPECIAL FEATURES

NONE

**SPECIAL UNITS ARE NON-RETURNABLE
 *AVAILABLE AT ADDITIONAL COSTS

FOR INTERNAL USE ONLY PROJECT SIGN OFF	
SALES	
ENG	
FAB.	
POWER	

DIM TOLERANCE +/- 1/2

A P P R O V A L	I, THE UNDERSIGNED, AGREE THAT THE PRODUCT AS REPRESENTED SATISFIES DESIGN & DIMENSION REQUIREMENTS. I ALSO ACKNOWLEDGE MY DUTY TO CONFIRM PRODUCT & INSTALLATION COMPLIANCE WITH ALL APPLICABLE FEDERAL, STATE AND LOCAL REGULATIONS & STANDARDS.	
	ANY MODIFIED UNITS ARE NON-RETURNABLE	
	[] As drawn [] As marked	
	Signed: _____	Date: _____
Printed Name: _____		
LEAD TIME WILL START UPON RECEIPT OF SIGNED APPROVAL DRAWING		

DISTRIBUTOR'S NAME: VESTIL MFG		P.O.#: _
DRAWN BY: _____		W.D.#: _
DATE: _	SALES: _	
REFERENCE: _	SCALE: _	DRWG./FILE NAME: 30-007-012
QUOTED LEADTIME: _	QUOTE #: _	