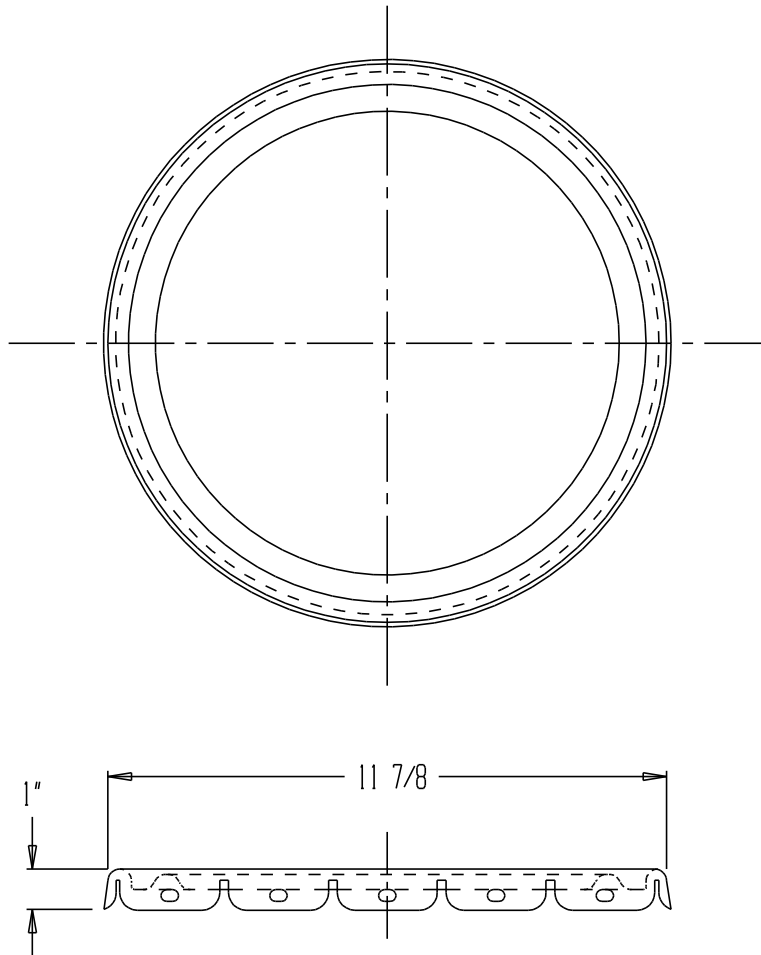


Round Steel Lid (5 gallon) - LID-STL-UN



RUST PROOF COATING IS GOOD TO 250 DEGREES

STANDARD FEATURES

MODEL NUMBER: LID-STL-UN
 FITS - 5 GALLON STEEL PAIL
 MATERIAL: STEEL
 COLOR: BLACK
 WIDTH: 11 7/8"
 OVERALL HEIGHT: 1"
 MINIMUM THICKNESS: 24 GA
 COATING: BOTTOM - COATED WITH RUST INHIBITED COATING
 TOP - BAKED ROLLED COAT OF ENAMEL

CONFORMS TO UN1A2 / Y1.5 / 70

FOR INTERNAL USE ONLY PROJECT SIGN OFF	
SALES	
ENG	
FAB.	
POWER	

Any additions, deletions or omissions must be corrected on this drawing, as this drawing will be considered all inclusive.

All graphics provided are for reference only. If certain dimensions are critical please verify those dimensions with your salesperson

**A
P
P
R
O
V
A
L**

I, THE UNDERSIGNED, AGREE THAT THE PRODUCT AS REPRESENTED SATISFIES DESIGN & DIMENSTON REQUIREMENTS. I ALSO ACKNOWLEDGE MY DUTY TO CONFIRM PRODUCT & INSTALLATION COMPLIANCE WITH ALL APPLICABLE FEDERAL, STATE AND LOCAL REGULATIONS & STANDARDS.

ALL SPECIAL UNITS ARE NON-RETURNABLE
 As drawn As marked

Signed: _____ Date: _____

LEAD TIME WILL START UPON RECEIPT OF SIGNED APPROVAL DRAWING

DISTRIBUTOR'S NAME: VESTIL MFG		P.O.#: _
DRAWN BY: _____		W.O.#: _
DATE: 1:4	SALES: _	
REFERENCE: _	SCALE: _	DRWG./FILE NAME:
QUOTED LEADTIME: _	QUOTE #: _	LID-STL-UN