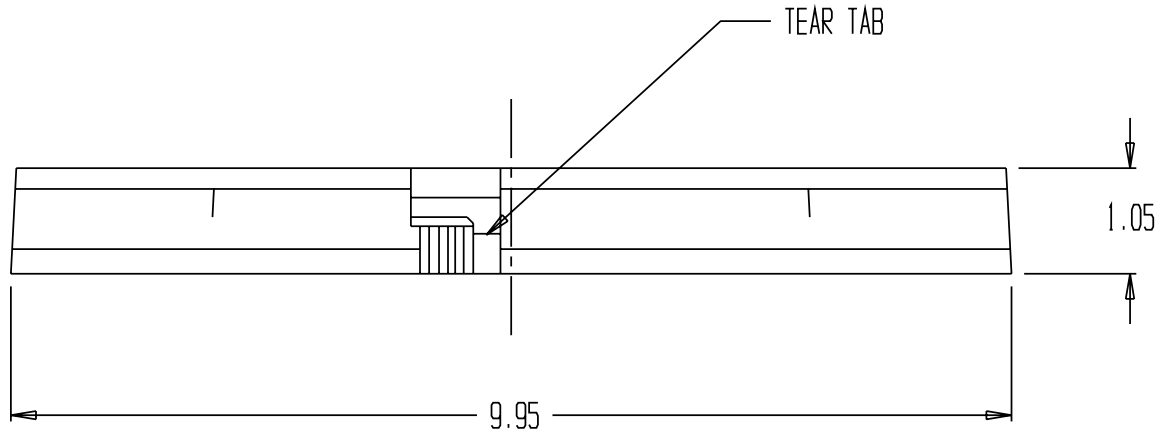


Round Plastic Lid (2 gallon) - LID-2-PWT



STANDARD FEATURES

MODEL NUMBER: LID-2-PWT
 FITS - 2 GALLON PLASTIC PAILS
 MATERIAL: HIGH DENSITY POLYETHYLENE (H.D.P.E.)
 COLOR (PAIL & LID): WHITE
 WIDTH AT WIDEST POINT: 9.95"
 OVERALL HEIGHT: 1.05"
 MINIMUM THICKNESS: 75 mil

APPROVAL

I, the undersigned, hereby approve this print
 As drawn As marked
 This includes my approval of design & dimensions.
 Signed: _____
 Date: _____

| | | |
|-----------------------------|---------|------------------|
| DISTRIBUTOR'S NAME: | | P.O.#: _ |
| VESTIL MANUFACTURING | | W.O.#: _ |
| DRAWN BY: _ | DATE: _ | SALES: _ |
| REFERENCE: | | DRWG./FILE NAME: |
| - | | LID-2-PWT |
| SCALE: 1:4 | | |