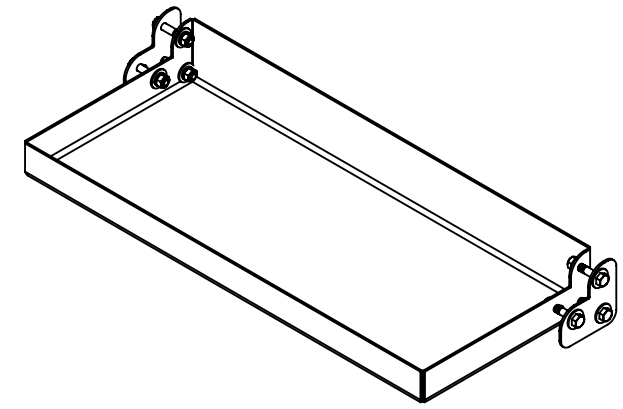
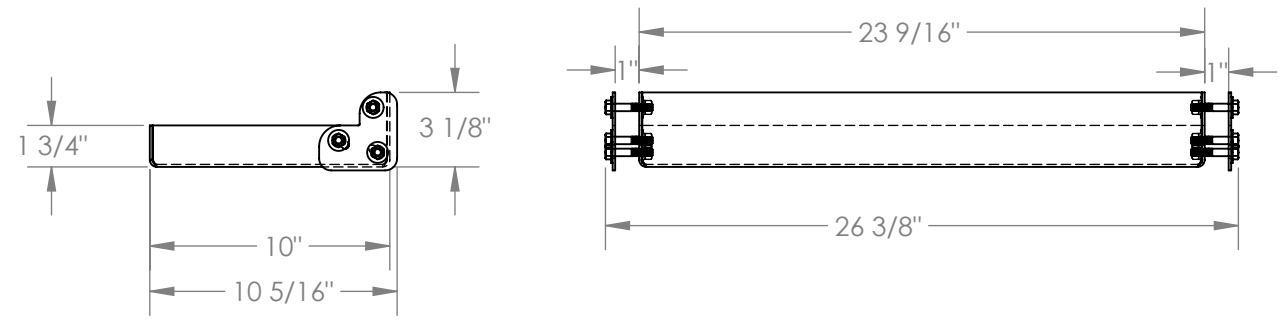


LADDER TOOL TRAY, ESD - LAD-TT-E

APPROX WEIGHT: 11.75 lbs.
 DOES NOT INCLUDE WEIGHT OF POWER OR PACKAGING!!!

*** ANY ADDITIONS, DELETIONS, OR OMISSIONS MUST BE CORRECTED ON THIS DRAWING AS THIS DRAWING WILL BE CONSIDERED ALL INCLUSIVE ***
 ALL GRAPHICS PROVIDED ARE FOR REFERENCE ONLY. IF CERTAIN DIMENSIONS ARE CRITICAL PLEASE VERIFY THOSE DIMENSIONS WITH YOUR SALESPERSON



STANDARD FEATURES

- MODEL NUMBER IS LAD-TT-E
- OVERALL WIDTH IS 26 3/8"
- USABLE WIDTH IS 23 9/16"
- OVERALL LENGTH IS 10 5/16"
- USABLE LENGTH IS 10"
- OVERALL HEIGHT IS 3 1/8"
- USEABLE HEIGHT IS 1 3/4"
- COLOR IS SPECIAL BLACK ESD PAINT

NOTE

SOME ASSEMBLY REQUIRED

SPECIAL FEATURES

NONE

DIMENSION TOLERANCE ± 1/4"

A P P R O V A L	I, THE UNDERSIGNED, AGREE THAT THE PRODUCT AS REPRESENTED SATISFIES DESIGN AND DIMENSION REQUIREMENTS. I ALSO ACKNOWLEDGE MY DUTY TO CONFIRM PRODUCT AND INSTALLATION COMPLIANCE WITH ALL APPLICABLE FEDERAL, STATE AND LOCAL REGULATIONS AND STANDARDS.	
	ALL SPECIAL UNITS ARE NON-RETURNABLE	
	[] As drawn [] As marked	
Signed: _____		Date: _____
LEAD TIME WILL START UPON RECEIPT OF SIGNED APPROVAL DRAWING		

LADDER MODEL COMPATIBILITY

LAD-PW-26-X-G-ESD

FOR INTERNAL USE ONLY PROJECT SIGN OFF	
SALES	
ENG.	
FAB.	
POWER	

DISTRIBUTOR'S NAME:		P.O.#
VESTIL MANUFACTURING		X
W.O.#		X
DRAWN BY:	B.NOETHNAGEL	DATE: 8/21/2015
REFERENCE:	X	SALES: X
QUOTED LEAD TIME:	X	SCALE: 1:8
QUOTE #	X	FILE NAME:
		44-007-505