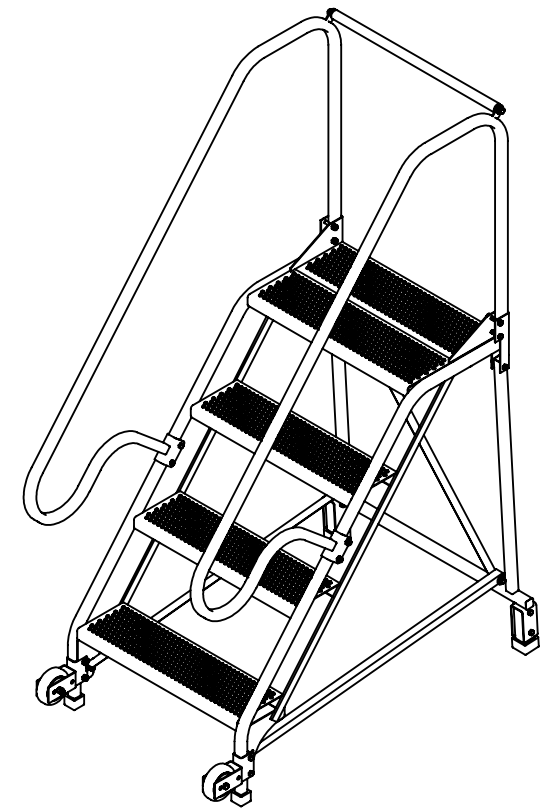
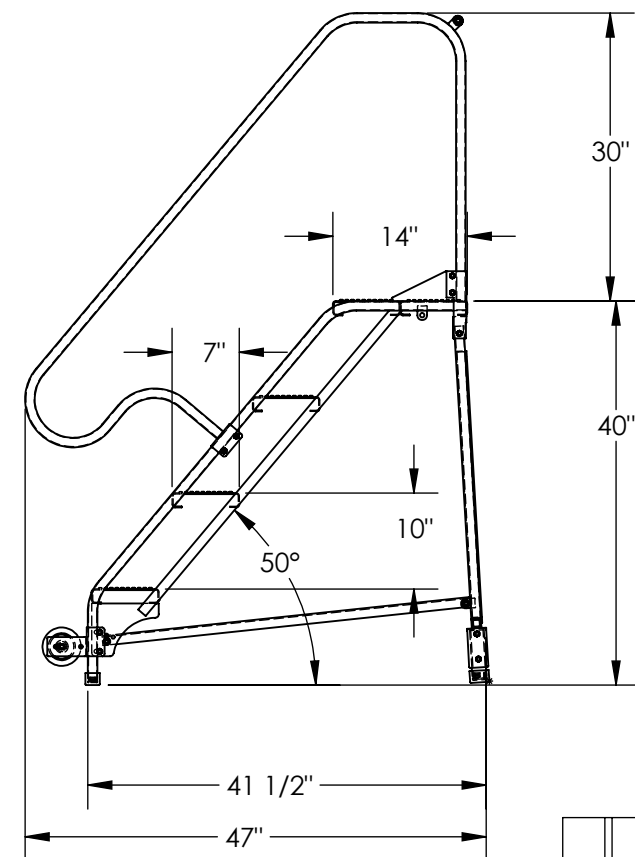
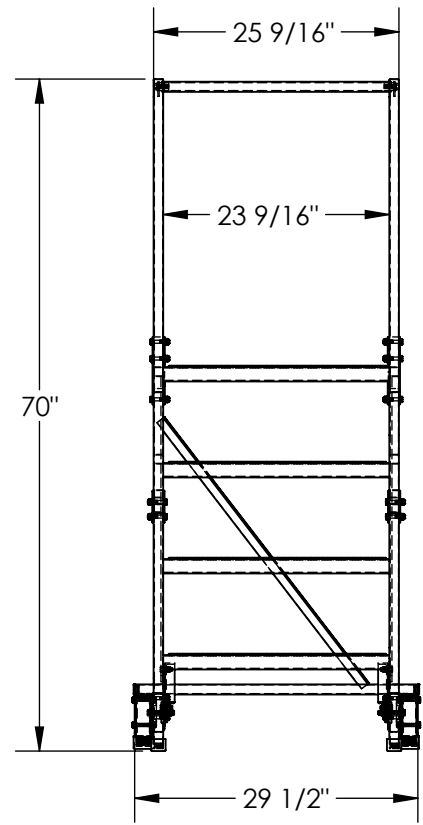


# TIP-N-ROLL LADDER, NON STRADDLE, FDA COMPLIANT FINISH - LAD-TRN-50-4-FDA

APPROX WEIGHT: 106.37 lbs.  
 DOES NOT INCLUDE WEIGHT OF POWER OR PACKAGING!!!

\*\*\* ANY ADDITIONS, DELETIONS, OR OMISSIONS MUST BE CORRECTED ON THIS DRAWING AS THIS DRAWING WILL BE CONSIDERED ALL INCLUSIVE \*\*\*  
 ALL GRAPHICS PROVIDED ARE FOR REFERENCE ONLY. IF CERTAIN DIMENSIONS ARE CRITICAL PLEASE VERIFY THOSE DIMENSIONS WITH YOUR SALESPERSON



DIMENSION TOLERANCE ± 1/4"

**STANDARD FEATURES**  
 MODEL NUMBER IS LAD-TRN-50-4-FDA  
 OVERALL WIDTH IS 29 1/2"  
 USABLE WIDTH IS 23 9/16"  
 OVERALL LENGTH IS 47"  
 USABLE LENGTH IS 41 1/2"  
 OVERALL HEIGHT IS 70"  
 PLATFORM HEIGHT IS 40"  
 STEP TYPE IS PERFORATED  
 CLIMB ANGLE IS 50°  
 STEP DIMENSION IS 24" x 7"  
 TOP STEP DIMENSION IS 24" x 14"  
 MAX CAPACITY IS 350 LBS  
 TOUGH BAKED IN POWDER COATED  
 FDA COMPLIANT WHITE FINISH

**SPECIAL FEATURES**  
 NONE

**NOTE**  
 -SOME ASSEMBLY REQUIRED  
 -TOOL TRAY SOLD SEPARATELY

**APPROVAL**

I, THE UNDERSIGNED, AGREE THAT THE PRODUCT AS REPRESENTED SATISFIES DESIGN AND DIMENSION REQUIREMENTS. I ALSO ACKNOWLEDGE MY DUTY TO CONFIRM PRODUCT AND INSTALLATION COMPLIANCE WITH ALL APPLICABLE FEDERAL, STATE AND LOCAL REGULATIONS AND STANDARDS.  
**ANY MODIFIED UNITS ARE NON-RETURNABLE**  
 As drawn      As marked

Signed: \_\_\_\_\_ Date: \_\_\_\_\_  
 Printed Name: \_\_\_\_\_  
 LEAD TIME WILL START UPON RECEIPT OF SIGNED APPROVAL DRAWING

FOR INTERNAL USE ONLY PROJECT SIGN OFF	
SALES	
ENG.	
FAB.	
POWER	

DISTRIBUTOR'S NAME:		P.O.#
VESTIL MANUFACTURING		X
DRAWN BY: KGH		W.O.#
DATE: 3/20/2020		X
REFERENCE: X	SCALE: 1:20	SALES: X
QUOTED LEAD TIME: X	QUOTE #	FILE NAME:
	X	44-007-688