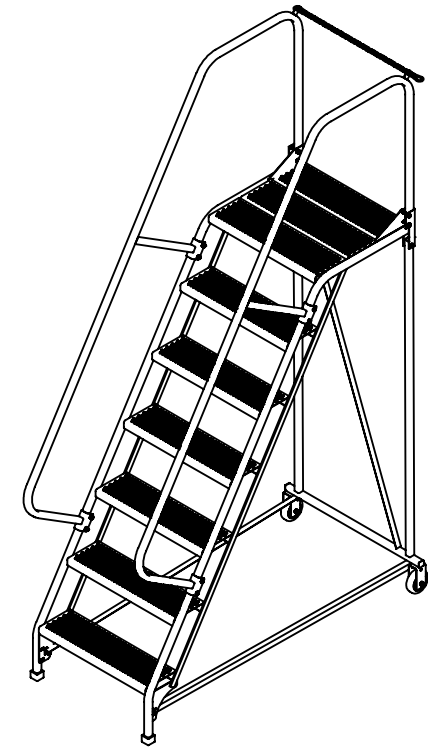
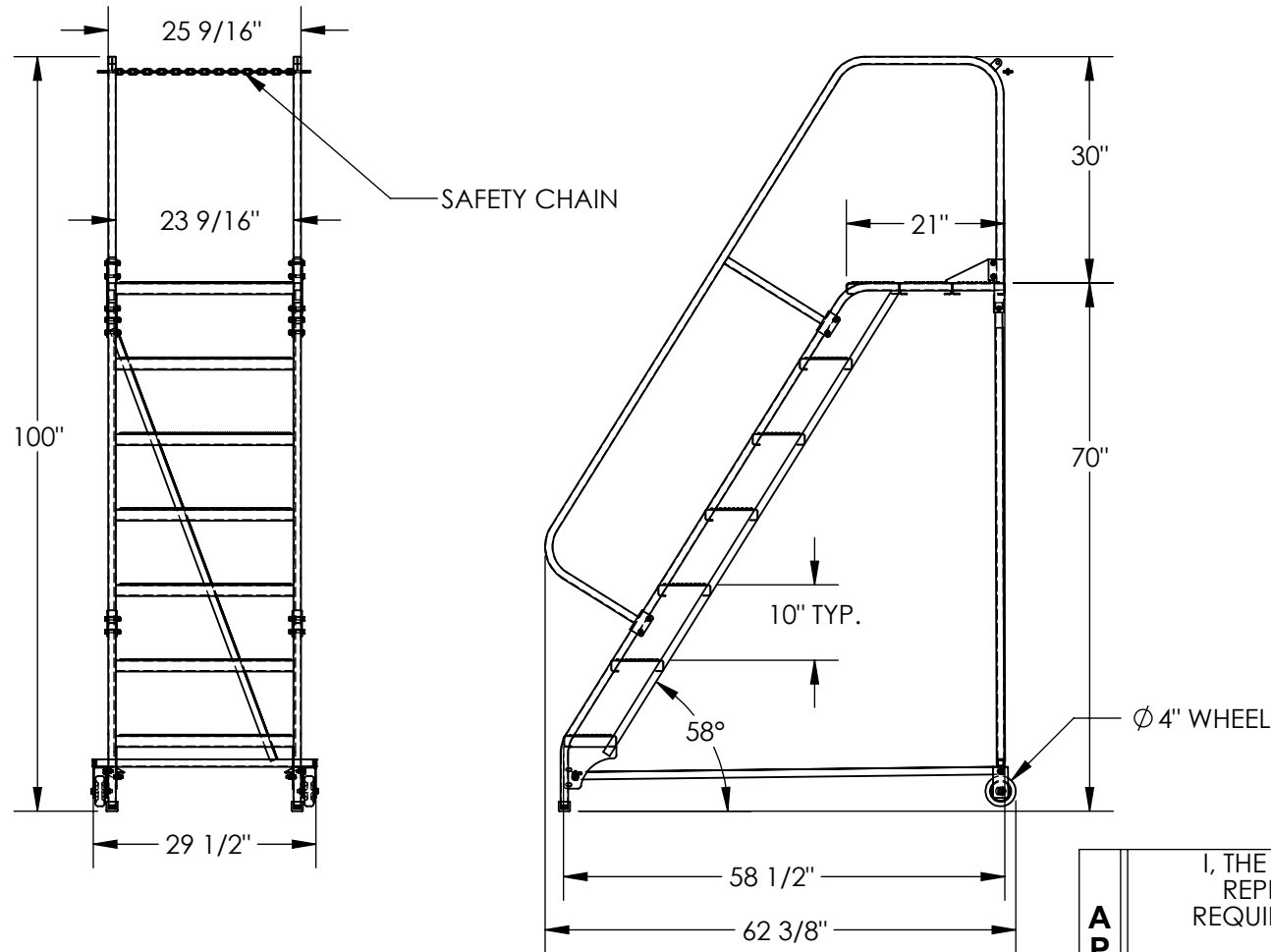


MAINTENANCE LADDER, PERFORATED - LAD-MM-7-P-YL

APPROX WEIGHT: 157.03 lbs.
DOES NOT INCLUDE WEIGHT OF POWER OR PACKAGING!!!

*** ANY ADDITIONS, DELETIONS, OR OMISSIONS MUST BE CORRECTED ON THIS DRAWING AS THIS DRAWING WILL BE CONSIDERED ALL INCLUSIVE ***

ALL GRAPHICS PROVIDED ARE FOR REFERENCE ONLY. IF CERTAIN DIMENSIONS ARE CRITICAL PLEASE VERIFY THOSE DIMENSIONS WITH YOUR SALESPERSON



DIMENSION TOLERANCE ± 1/4"

STANDARD FEATURES

MODEL NUMBER IS LAD-MM-7-P-YL
OVERALL WIDTH IS 29 1/2"
USABLE WIDTH IS 23 9/16"
OVERALL LENGTH IS 62 3/8"
USABLE LENGTH IS 58 1/2"
OVERALL HEIGHT IS 100"
PLATFORM HEIGHT IS 70"
TOUGH BAKED IN POWDER COATED YELLOW FINISH
STEP TYPE: PERFORATED STEPS
CLIMB ANGLE: 58°
STEP DIM. 24" X 7"
MAX CAPACITY IS 350 LBS

SPECIAL FEATURES

NONE

NOTE

-SOME ASSEMBLY REQUIRED
-TOOL TRAY SOLD SEPARATELY

APPROVAL

I, THE UNDERSIGNED, AGREE THAT THE PRODUCT AS REPRESENTED SATISFIES DESIGN AND DIMENSION REQUIREMENTS. I ALSO ACKNOWLEDGE MY DUTY TO CONFIRM PRODUCT AND INSTALLATION COMPLIANCE WITH ALL APPLICABLE FEDERAL, STATE AND LOCAL REGULATIONS AND STANDARDS.

ANY MODIFIED UNITS ARE NON-RETURNABLE

[] As drawn [] As marked

Signed: _____ Date: _____

Printed Name: _____

LEAD TIME WILL START UPON RECEIPT OF SIGNED APPROVAL DRAWING

FOR INTERNAL USE ONLY
PROJECT SIGN OFF

SALES	
ENG.	
FAB.	
POWER	

DISTRIBUTOR'S NAME:		P.O.#
VESTIL MANUFACTURING		X
DRAWN BY:	DATE:	W.O.#
JWW	5/18/2020	X
REFERENCE:	SCALE:	SALES:
X	1:25	X
QUOTED LEAD TIME:	QUOTE #	FILE NAME:
X	X	44-007-173-001