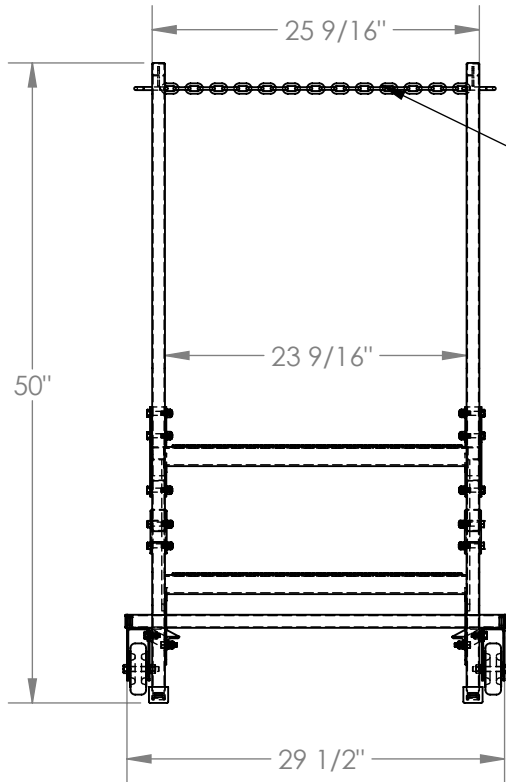


# MAINTENANCE LADDER, PERFORATED-LAD-MM-2-P

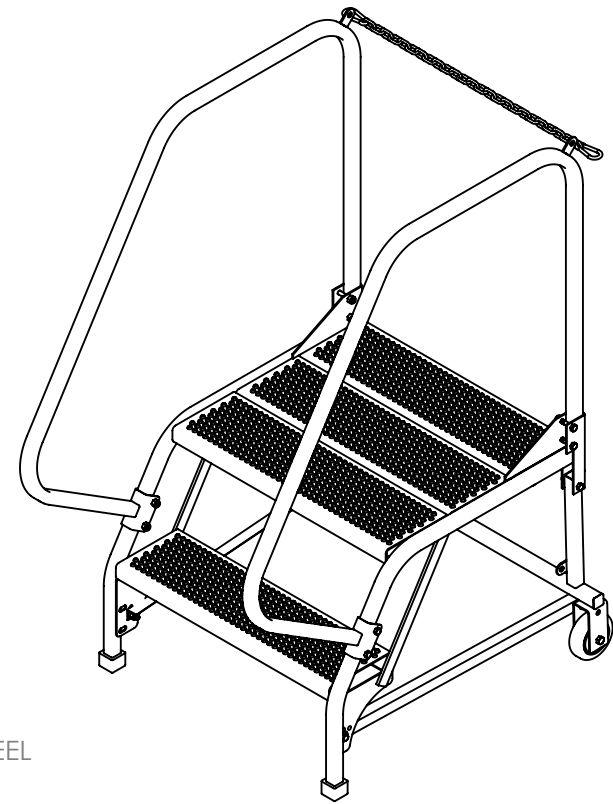
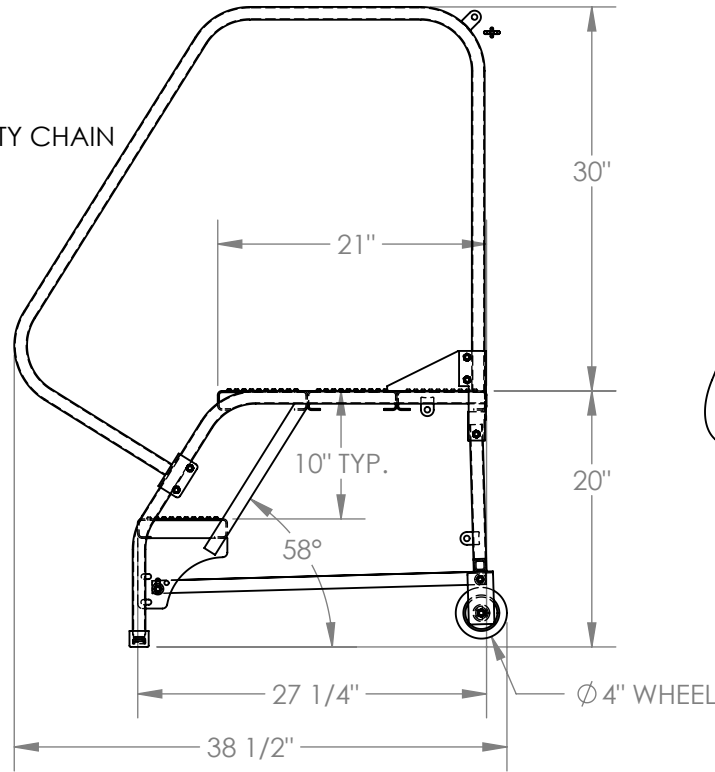
APPROX WEIGHT: 68.32 lbs.  
 DOES NOT INCLUDE WEIGHT OF POWER OR PACKAGING!!!

\*\*\* ANY ADDITIONS, DELETIONS, OR OMISSIONS MUST BE CORRECTED ON THIS DRAWING AS THIS DRAWING WILL BE CONSIDERED ALL INCLUSIVE \*\*\*

ALL GRAPHICS PROVIDED ARE FOR REFERENCE ONLY. IF CERTAIN DIMENSIONS ARE CRITICAL PLEASE VERIFY THOSE DIMENSIONS WITH YOUR SALESPERSON



SAFETY CHAIN



DIMENSION TOLERANCE ± 1/4"

## STANDARD FEATURES

MODEL NUMBER IS LAD-MM-2-P  
 OVERALL WIDTH IS 29 1/2"  
 USABLE WIDTH IS 23 9/16"  
 OVERALL LENGTH IS 38 1/2"  
 USABLE LENGTH IS 27 1/4"  
 OVERALL HEIGHT IS 50"  
 PLATFORM HEIGHT IS 20"  
 COLOR: VESTIL BLUE  
 STEP TYPE: PERFORATED STEPS  
 CLIMB ANGLE: 58°  
 STEP DIM. 24" X 7"  
 MAX CAPACITY IS 350 LBS

## SPECIAL FEATURES

NONE

### NOTE

-SOME ASSEMBLY REQUIRED  
 -TOOL TRAY SOLD SEPARATELY

APPROVAL

I, THE UNDERSIGNED, AGREE THAT THE PRODUCT AS REPRESENTED SATISFIES DESIGN AND DIMENSION REQUIREMENTS. I ALSO ACKNOWLEDGE MY DUTY TO CONFIRM PRODUCT AND INSTALLATION COMPLIANCE WITH ALL APPLICABLE FEDERAL, STATE AND LOCAL REGULATIONS AND STANDARDS.  
**ALL SPECIAL UNITS ARE NON-RETURNABLE**  
 As drawn       As marked

Signed: \_\_\_\_\_ Date: \_\_\_\_\_

LEAD TIME WILL START UPON RECEIPT OF SIGNED APPROVAL DRAWING

FOR INTERNAL USE ONLY PROJECT SIGN OFF	
SALES	
ENG.	
FAB.	
POWER	

DISTRIBUTOR'S NAME:		P.O.#
VESTIL MANUFACTURING		X
W.O.#		X
DRAWN BY:	DATE:	SALES:
B.NOETHNAGEL	8/24/2015	X
REFERENCE:	SCALE:	FILE NAME:
X	1:15	
QUOTED LEAD TIME:	QUOTE #	44-007-367
X	X	