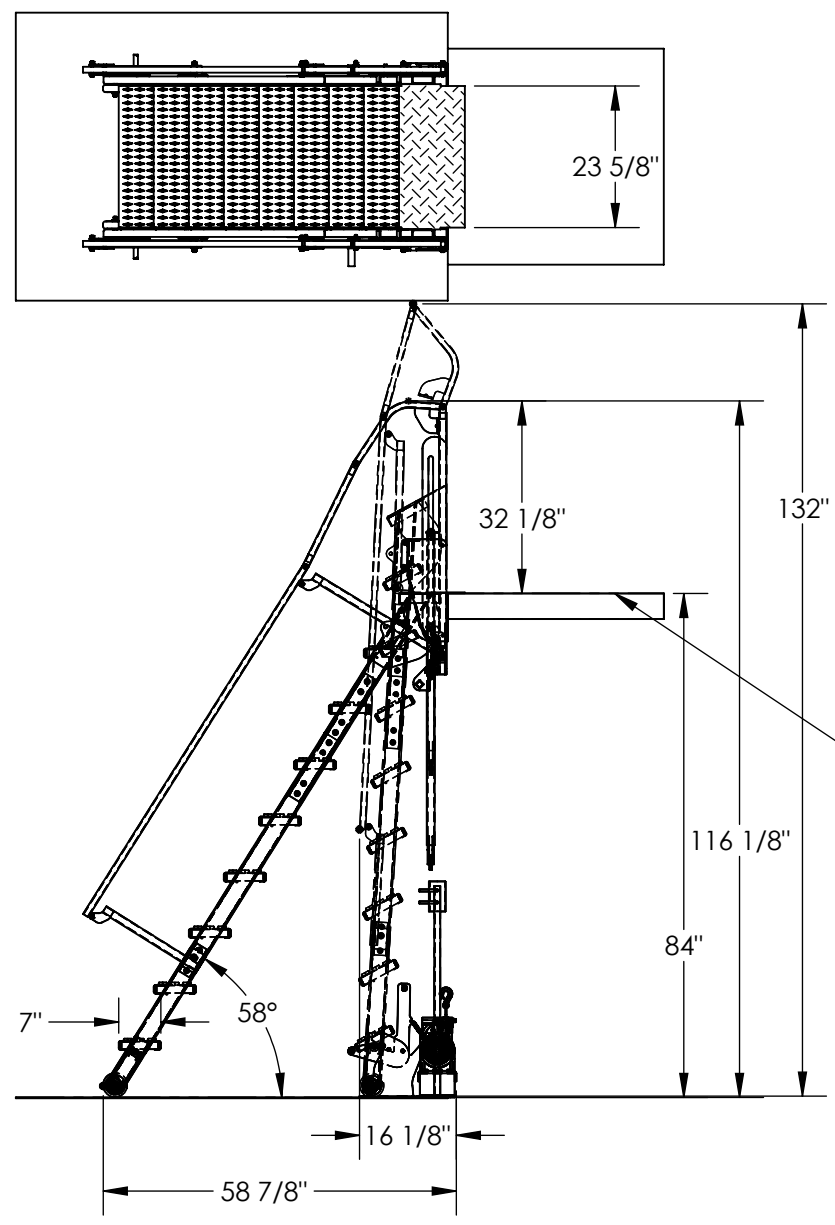


# FOLDING MEZZANINE LADDER 115VAC PWR, LAD-FM-84-PSO

APPROX WEIGHT: 431.12 lbs.  
 DOES NOT INCLUDE WEIGHT OF POWER OR PACKAGING!!!

\*\*\* ANY ADDITIONS, DELETIONS, OR OMISSIONS MUST BE CORRECTED ON THIS DRAWING AS THIS DRAWING WILL BE CONSIDERED ALL INCLUSIVE \*\*\*  
 ALL GRAPHICS PROVIDED ARE FOR REFERENCE ONLY. IF CERTAIN DIMENSIONS ARE CRITICAL PLEASE VERIFY THOSE DIMENSIONS WITH YOUR SALESPERSON



## STANDARD FEATURES

- MODEL NUMBER: LAD-FM-84-PSO
- STEP DEPTH: 7"
- OVERALL WIDTH: 35 1/4"
- STEP HEIGHT: 9 3/8"
- HANDRAIL HEIGHT: 32 1/8"
- MEZZANINE HEIGHT: 84"
- EXTENDED HEIGHT: 116 1/8"
- EXTENDED LENGTH: 58 7/8"
- RETRACTED HEIGHT: 132" (APPROX.)
- STEP MATERIAL: SERRATED STEEL
- MAX CAPACITY: 350 LBS.
- 115VAC PWR CABLE HOIST
- TOUGH BAKED IN POWDER COATED BLUE AND YELLOW FINISH

IT IS THE CUSTOMER'S RESPONSIBILITY TO MAKE SURE THAT THIS UNIT COMPLIES WITH ALL LOCAL SAFETY LAWS, CODES AND REGULATIONS

## SPECIAL FEATURES

NONE

MEZZANINE SHOWN FOR REFERENCE ONLY -NOT INCLUDED

DIMENSION TOLERANCE ± 1/4"

APPROVAL

I, THE UNDERSIGNED, AGREE THAT THE PRODUCT AS REPRESENTED SATISFIES DESIGN AND DIMENSION REQUIREMENTS. I ALSO ACKNOWLEDGE MY DUTY TO CONFIRM PRODUCT AND INSTALLATION COMPLIANCE WITH ALL APPLICABLE FEDERAL, STATE AND LOCAL REGULATIONS AND STANDARDS.  
**UNITS REQUIRING APPROVAL DRAWINGS OR MODIFIED ARE NON-RETURNABLE**

[ ] As drawn [ ] As marked

Signed: \_\_\_\_\_ Date: \_\_\_\_\_

Printed Name: \_\_\_\_\_

LEAD TIME WILL START UPON RECEIPT OF SIGNED APPROVAL DRAWING

DISTRIBUTOR'S NAME:		P.O.#
VESTIL MANUFACTURING		X
DRAWN BY: NBE		W.O.#
DATE: 4/15/2021		X
REFERENCE: X	SCALE: 1:32	SALES: X
QUOTED LEAD TIME: X	QUOTE # N/A	FILE NAME: 44-007-712