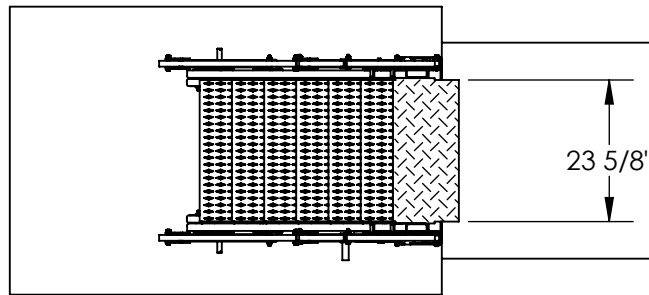


FOLDING MEZZANINE LADDER 115VAC PWR, LAD-FM-60-PSO

APPROX WEIGHT: 382.17 lbs.
 DOES NOT INCLUDE WEIGHT OF POWER OR PACKAGING!!!

*** ANY ADDITIONS, DELETIONS, OR OMISSIONS MUST BE CORRECTED ON THIS DRAWING AS THIS DRAWING WILL BE CONSIDERED ALL INCLUSIVE ***
 ALL GRAPHICS PROVIDED ARE FOR REFERENCE ONLY. IF CERTAIN DIMENSIONS ARE CRITICAL PLEASE VERIFY THOSE DIMENSIONS WITH YOUR SALESPERSON



STANDARD FEATURES

- MODEL NUMBER: LAD-FM-60-PSO
- STEP DEPTH: 7"
- OVERALL WIDTH: 35 1/4"
- STEP HEIGHT: 8 9/16"
- HANDRAIL HEIGHT: 32 1/8"
- MEZZANINE HEIGHT: 60"
- EXTENDED HEIGHT: 92 1/8"
- EXTENDED LENGTH: 42 7/16"
- RETRACTED HEIGHT: 104 11/16" (APPROX.)
- STEP MATERIAL: SERRATED STEEL
- MAX CAPACITY: 350 LBS.
- 115VAC PWR CABLE HOIST
- TOUGH BAKED IN POWDER COATED BLUE AND YELLOW FINISH

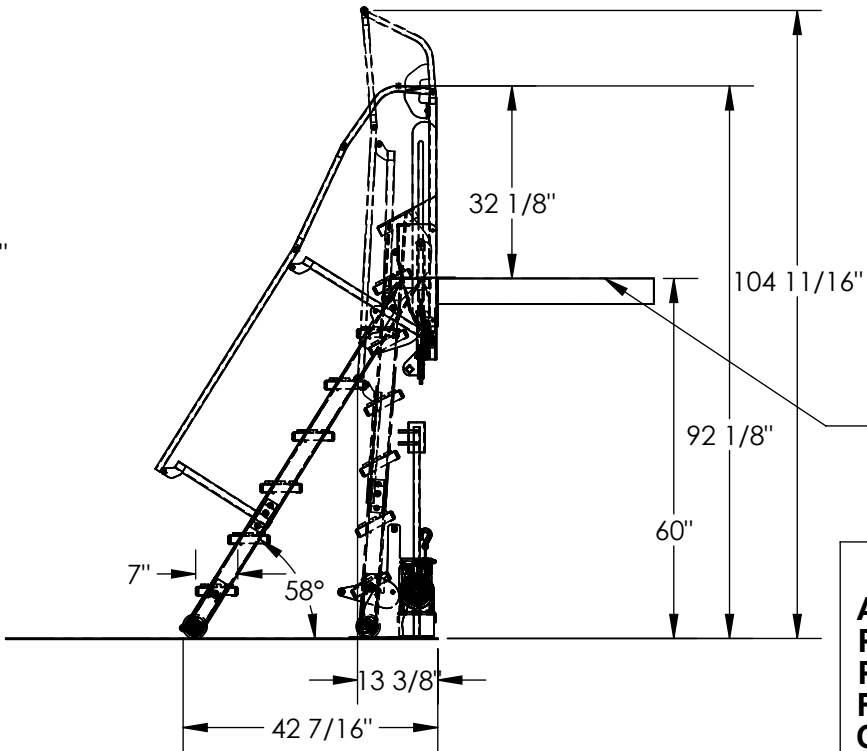
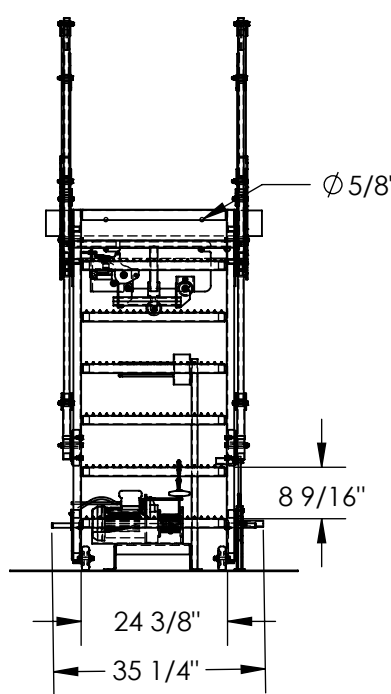
IT IS THE CUSTOMER'S RESPONSIBILITY TO MAKE SURE THAT THIS UNIT COMPLIES WITH ALL LOCAL SAFETY LAWS, CODES AND REGULATIONS

SPECIAL FEATURES

NONE

MEZZANINE SHOWN FOR REFERENCE ONLY - NOT INCLUDED

DIMENSION TOLERANCE ± 1/4"



APPROVAL

I, THE UNDERSIGNED, AGREE THAT THE PRODUCT AS REPRESENTED SATISFIES DESIGN AND DIMENSION REQUIREMENTS. I ALSO ACKNOWLEDGE MY DUTY TO CONFIRM PRODUCT AND INSTALLATION COMPLIANCE WITH ALL APPLICABLE FEDERAL, STATE AND LOCAL REGULATIONS AND STANDARDS.
UNITS REQUIRING APPROVAL DRAWINGS OR MODIFIED ARE NON-RETURNABLE

As drawn As marked

Signed: _____ Date: _____

Printed Name: _____

LEAD TIME WILL START UPON RECEIPT OF SIGNED APPROVAL DRAWING

DISTRIBUTOR'S NAME:		P.O.#
VESTIL MANUFACTURING		X
DRAWN BY: NBE		W.O.#
DATE: 4/15/2021		X
REFERENCE: X	SCALE: 1:32	SALES: X
QUOTED LEAD TIME: X	QUOTE # N/A	FILE NAME: 44-007-710