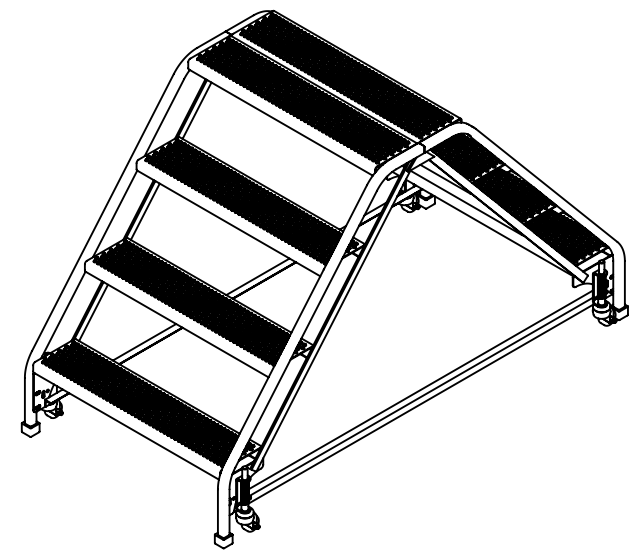
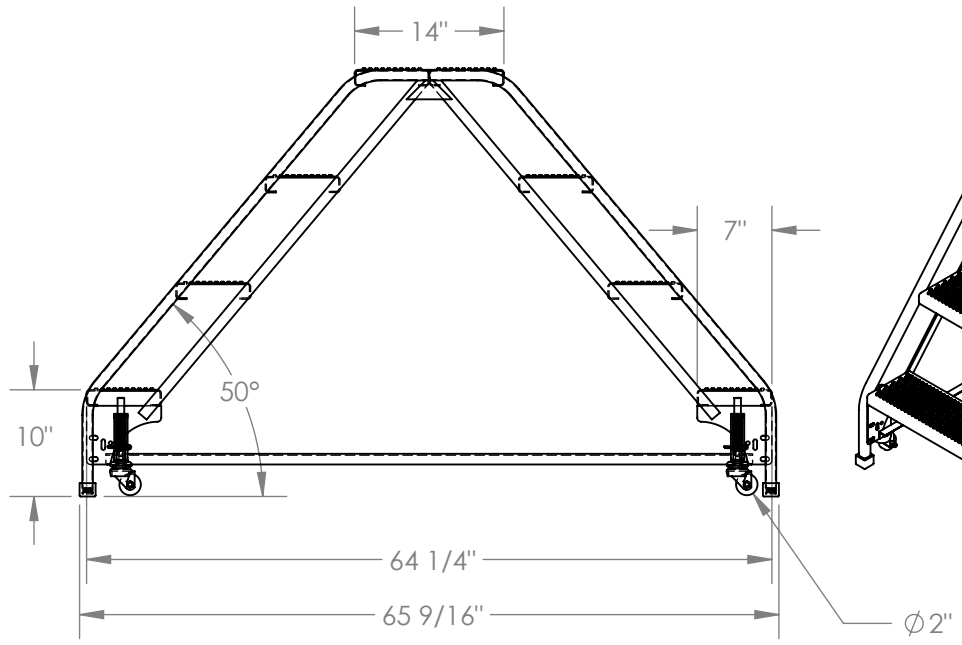
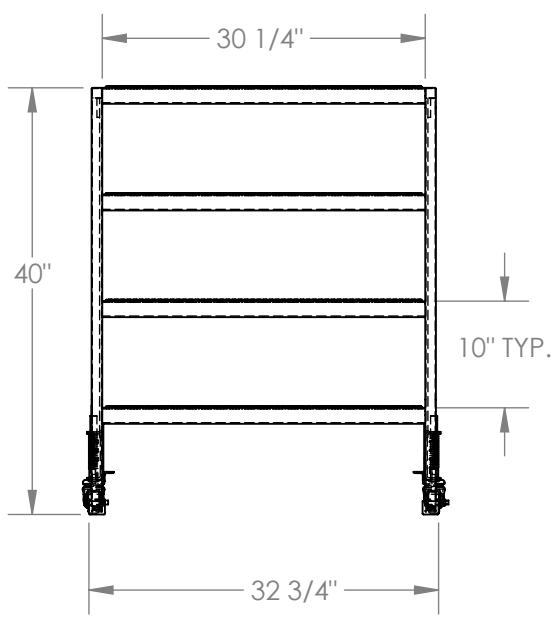


# DOUBLE SIDED STEP LADDER, PORTABLE, 4-STEP, PERFORATED- LAD-DD-P-32-4-P

APPROX WEIGHT: 129.54 lbs.  
 DOES NOT INCLUDE WEIGHT OF POWER OR PACKAGING!!!

\*\*\* ANY ADDITIONS, DELETIONS, OR OMISSIONS MUST BE CORRECTED ON THIS DRAWING AS THIS DRAWING WILL BE CONSIDERED ALL INCLUSIVE \*\*\*  
 ALL GRAPHICS PROVIDED ARE FOR REFERENCE ONLY. IF CERTAIN DIMENSIONS ARE CRITICAL PLEASE VERIFY THOSE DIMENSIONS WITH YOUR SALESPERSON



## STANDARD FEATURES

- MODEL NUMBER IS LAD-DD-P-32-4-P
- OVERALL WIDTH IS 32 3/4"
- USABLE WIDTH IS 30 1/4"
- OVERALL LENGTH IS 65 9/16"
- USABLE LENGTH IS 64 1/4"
- OVERALL HEIGHT IS 40"
- STEP DEPTH IS 7"
- TOP PLATFORM DEPTH IS 14"
- ANGLE OF INCLINE IS 50°
- STEP STYLE IS PERFORATED
- COLOR IS VESTIL YELLOW
- MAX CAPACITY IS 350 LBS
- WHEEL SIZE IS Ø 2"

## NOTE

NONE

## SPECIAL FEATURES

NONE

DIMENSION TOLERANCE ± 1/4"

APPROVAL	I, THE UNDERSIGNED, AGREE THAT THE PRODUCT AS REPRESENTED SATISFIES DESIGN AND DIMENSION REQUIREMENTS. I ALSO ACKNOWLEDGE MY DUTY TO CONFIRM PRODUCT AND INSTALLATION COMPLIANCE WITH ALL APPLICABLE FEDERAL, STATE AND LOCAL REGULATIONS AND STANDARDS.	
	<b>ALL SPECIAL UNITS ARE NON-RETURNABLE</b>	
	[ ] As drawn      [ ] As marked	
Signed: _____		Date: _____
LEAD TIME WILL START UPON RECEIPT OF SIGNED APPROVAL DRAWING		

FOR INTERNAL USE ONLY PROJECT SIGN OFF	
SALES	
ENG.	
FAB.	
POWER	

DISTRIBUTOR'S NAME:		P.O.#
VESTIL MANUFACTURING		X
W.O.#		X
DRAWN BY:	B.NOETHNAGEL	DATE: 08/27/2014
REFERENCE:	X	SCALE: 1:18
QUOTED LEAD TIME:	X	QUOTE #
		X
FILE NAME:		44-007-542