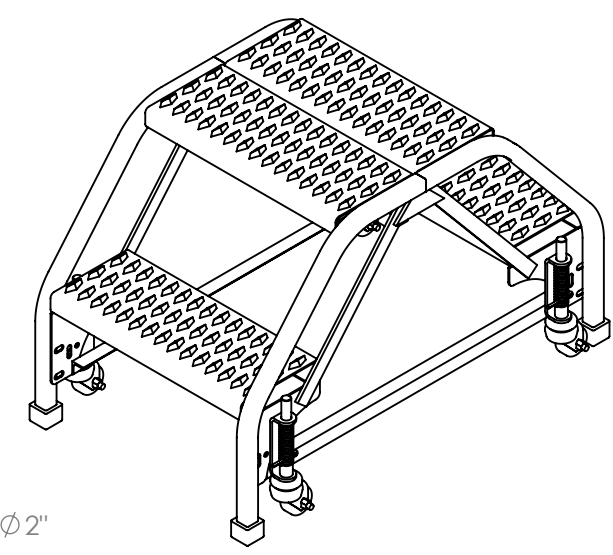
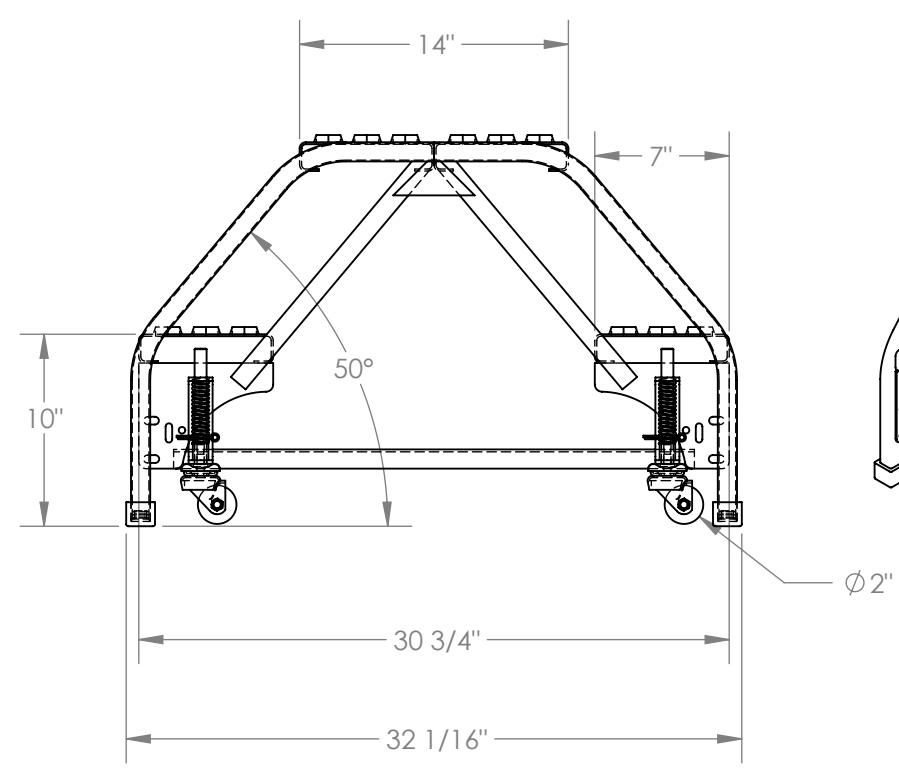
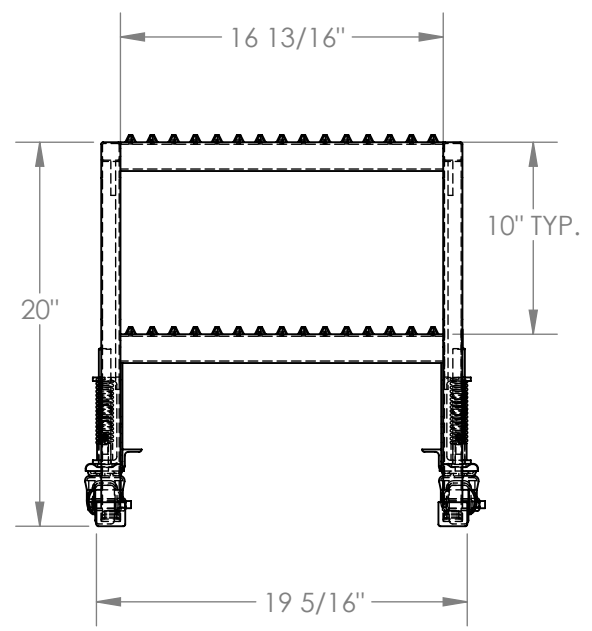


DOUBLE SIDED STEP LADDER, PORTABLE, 2-STEP, GRIP STRUT - LAD-DD-P-18-2-G

APPROX WEIGHT: 49.95 lbs.
 DOES NOT INCLUDE WEIGHT OF POWER OR PACKAGING!!!

*** ANY ADDITIONS, DELETIONS, OR OMISSIONS MUST BE CORRECTED ON THIS DRAWING AS THIS DRAWING WILL BE CONSIDERED ALL INCLUSIVE ***
 ALL GRAPHICS PROVIDED ARE FOR REFERENCE ONLY. IF CERTAIN DIMENSIONS ARE CRITICAL PLEASE VERIFY THOSE DIMENSIONS WITH YOUR SALESPERSON



STANDARD FEATURES

- MODEL NUMBER IS LAD-DD-P-18-2-G
- OVERALL WIDTH IS 19 5/16"
- USABLE WIDTH IS 16 13/16"
- OVERALL LENGTH IS 32 1/16"
- USABLE LENGTH IS 30 3/4"
- OVERALL HEIGHT IS 20"
- STEP DEPTH IS 7"
- TOP PLATFORM DEPTH IS 14"
- ANGLE OF INCLINE IS 50°
- STEP STYLE IS GRIP STRUT
- COLOR IS VESTIL YELLOW
- MAX CAPACITY IS 350 LBS
- WHEEL SIZE IS Ø 2"

NOTE

NONE

SPECIAL FEATURES

NONE

DIMENSION TOLERANCE ± 1/4"

APPROVAL

I, THE UNDERSIGNED, AGREE THAT THE PRODUCT AS REPRESENTED SATISFIES DESIGN AND DIMENSION REQUIREMENTS. I ALSO ACKNOWLEDGE MY DUTY TO CONFIRM PRODUCT AND INSTALLATION COMPLIANCE WITH ALL APPLICABLE FEDERAL, STATE AND LOCAL REGULATIONS AND STANDARDS.
ALL SPECIAL UNITS ARE NON-RETURNABLE
 As drawn As marked

Signed: _____ Date: _____

LEAD TIME WILL START UPON RECEIPT OF SIGNED APPROVAL DRAWING

| | |
|---|--|
| FOR INTERNAL USE ONLY PROJECT SIGN OFF | |
| SALES | |
| ENG. | |
| FAB. | |
| POWER | |

| | | |
|--|--------------|--------------------------|
| DISTRIBUTOR'S NAME: VESTIL MANUFACTURING | | P.O.# X |
| DRAWN BY: B.NOTHNAGEL | | W.O.# X |
| DATE: 08/27/2014 | SALES: X | FILE NAME: 44-007-525 |
| REFERENCE: X | SCALE: 1:10 | |
| QUOTED LEAD TIME: X | QUOTE # X | |