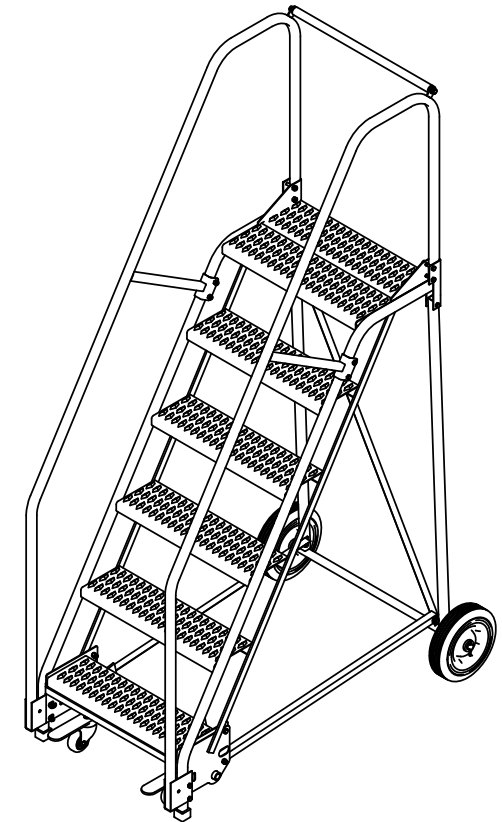
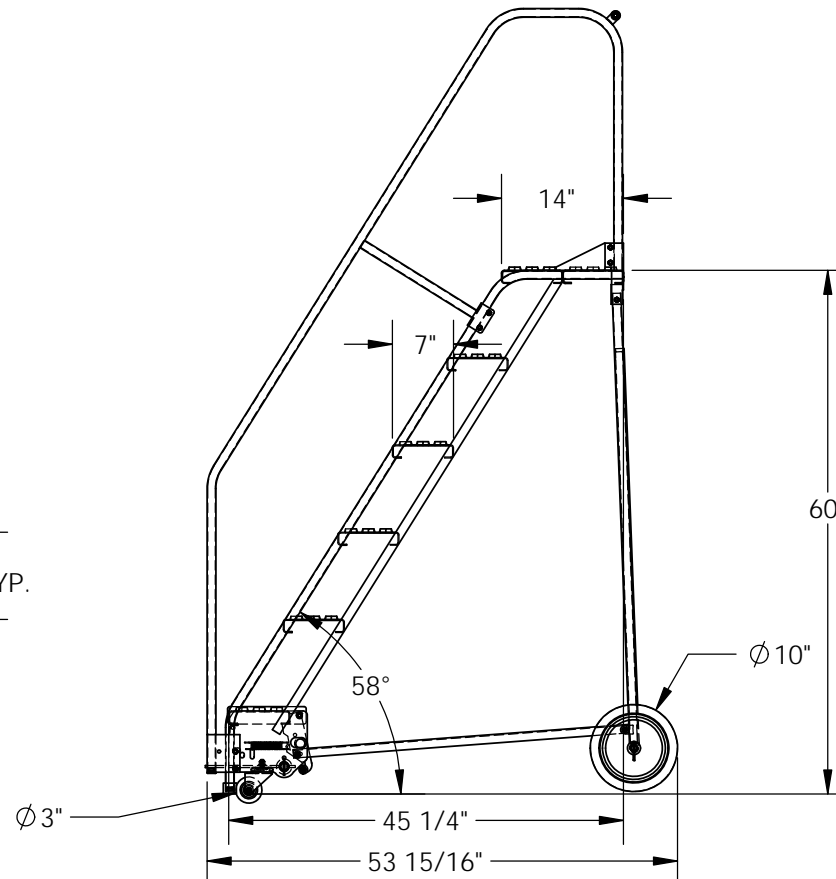
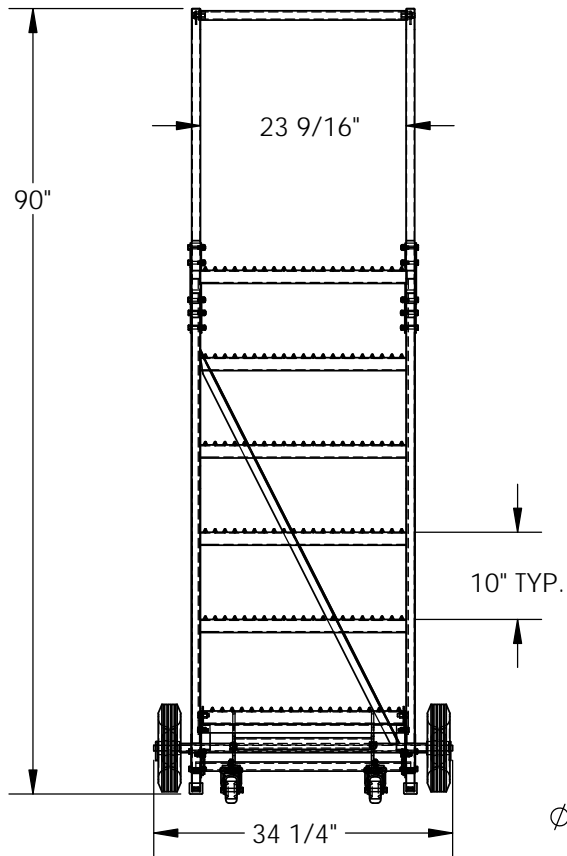


# 6-STEP ROLLING STEEL WAREHOUSE LADDER - LAD-6-14-G

APPROX WEIGHT: 160.2348 lbs. DOES NOT INCLUDE WEIGHT OF POWER OR PACKAGING!!!

\*\*\* ANY ADDITIONS, DELETIONS, OR OMISSIONS MUST BE CORRECTED ON THIS DRAWING AS THIS DRAWING WILL BE CONSIDERED ALL INCLUSIVE \*\*\*

ALL GRAPHICS PROVIDED ARE FOR REFERENCE ONLY. IF CERTAIN DIMENSIONS ARE CRITICAL PLEASE VERIFY THOSE DIMENSIONS WITH YOUR SALESPERSON



DIMENSION TOLERANCE ± 1/4"

## STANDARD FEATURES

MODEL NUMBER IS LAD-6-14-G  
 OVERALL WIDTH IS 34 1/4"  
 USABLE WIDTH IS 23 9/16"  
 OVERALL LENGTH IS 53 15/16"  
 USABLE LENGTH IS 45 1/4"  
 OVERALL HEIGHT IS 90"  
 TOP STEP HEIGHT IS 60"  
 STEP TYPE IS GRIP STRUT  
 CLIMB ANGLE IS 58°  
 STEP DEPTH IS 7"  
 TOP STEP DEPTH IS 14"  
 MAX CAPACITY IS 350 LBS  
 WHEEL SIZE IS Ø10"  
 FRONT WHEEL SIZE IS Ø3"  
 POWDER COAT FINISH  
 COLOR IS BLUE, BOTTOM STEP IS YELLOW

## NOTE

SOME ASSEMBLY REQUIRED  
 TOOL TRAY SOLD SEPARATELY  
 SAFETY GATE SOLD SEPARATELY

## SPECIAL FEATURES

NONE

APPROVAL

I, THE UNDERSIGNED, AGREE THAT THE PRODUCT AS REPRESENTED SATISFIES DESIGN AND DIMENSION REQUIREMENTS. I ALSO ACKNOWLEDGE MY DUTY TO CONFIRM PRODUCT AND INSTALLATION COMPLIANCE WITH ALL APPLICABLE FEDERAL, STATE AND LOCAL REGULATIONS AND STANDARDS.  
**ALL SPECIAL UNITS ARE NON-RETURNABLE**  
 As drawn       As marked

Signed: \_\_\_\_\_ Date: \_\_\_\_\_

LEAD TIME WILL START UPON RECEIPT OF SIGNED APPROVAL DRAWING

FOR INTERNAL USE ONLY PROJECT SIGN OFF	
SALES	
ENG.	
FAB.	
POWER	

DISTRIBUTOR'S NAME:		P.O.#
VESTIL MANUFACTURING		X
DRAWN BY: B.NOTHNAGEL		DATE: 9/22/2015
REFERENCE: X		SCALE: 1:22
QUOTED LEAD TIME: X		QUOTE # X
		FILE NAME: 44-007-164