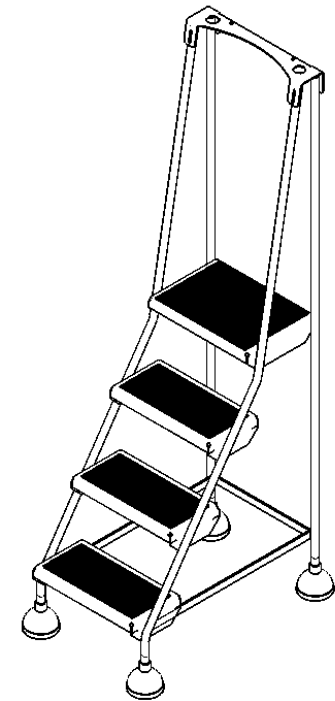
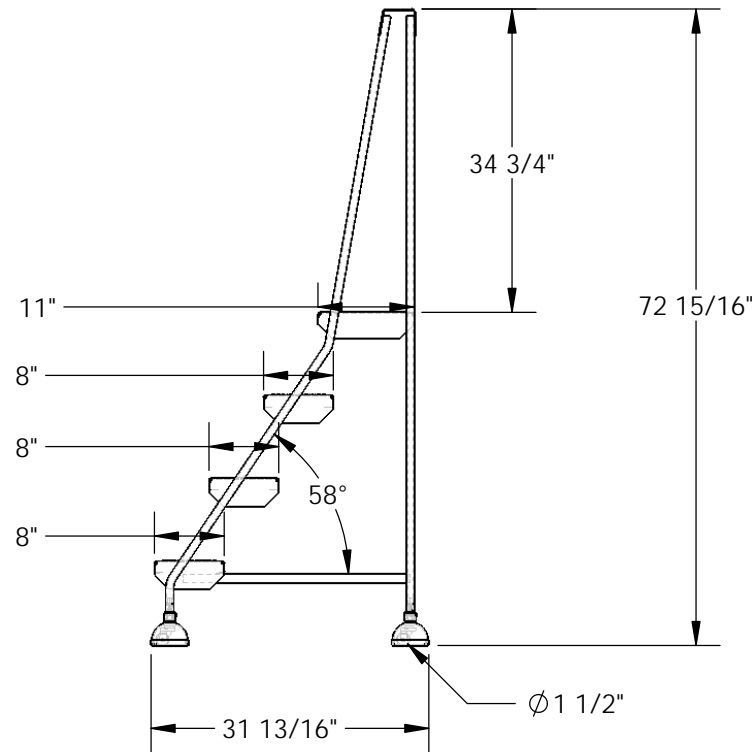
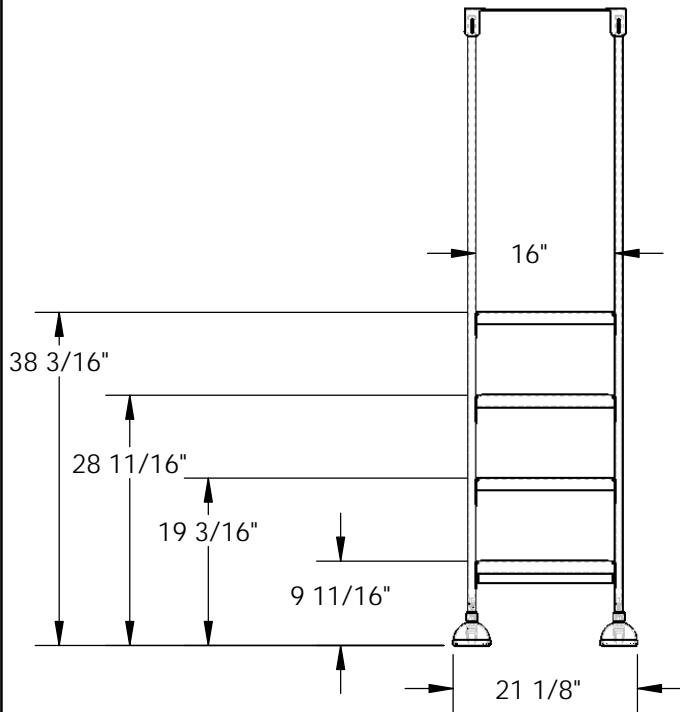


# COMMERCIAL ROLLING LADDER, BLUE - LAD-4-B

APPROX WEIGHT: 52.39 lbs.  
DOES NOT INCLUDE WEIGHT OF POWER OR PACKAGING!!!

\*\*\* ANY ADDITIONS, DELETIONS, OR OMISSIONS MUST BE CORRECTED ON THIS DRAWING AS THIS DRAWING WILL BE CONSIDERED ALL INCLUSIVE \*\*\*

ALL GRAPHICS PROVIDED ARE FOR REFERENCE ONLY. IF CERTAIN DIMENSIONS ARE CRITICAL PLEASE VERIFY THOSE DIMENSIONS WITH YOUR SALESPERSON



DIMENSION TOLERANCE ± 1/4"

I, THE UNDERSIGNED, AGREE THAT THE PRODUCT AS REPRESENTED SATISFIES DESIGN AND DIMENSION REQUIREMENTS. I ALSO ACKNOWLEDGE MY DUTY TO CONFIRM PRODUCT AND INSTALLATION COMPLIANCE WITH ALL APPLICABLE FEDERAL, STATE AND LOCAL REGULATIONS AND STANDARDS.  
**ALL SPECIAL UNITS ARE NON-RETURNABLE**  
[ ] As drawn [ ] As marked

**APPROVAL**

Signed: \_\_\_\_\_ Date: \_\_\_\_\_

LEAD TIME WILL START UPON RECEIPT OF SIGNED APPROVAL DRAWING

## STANDARD FEATURES

- MODEL NUMBER IS LAD-4-B
- OVERALL WIDTH IS 21 1/8"
- USABLE WIDTH IS 16"
- OVERALL LENGTH IS 31 13/16"
- OVERALL HEIGHT IS 72 15/16"
- CAPACITY IS 300 LBS
- STEP TYPE: FORMED STEEL STEPS WITH RUBBER ANTI-SLIP TOP SURFACE
- BOTTOM STEP HEIGHT 9 11/16" ± 1/4"
- TOP STEP HEIGHT 38 3/16" ± 1/4"
- STEP SIZES 8" X 16"
- COLOR: POWDERCOATED BLUE
- SPRING LOADED CASTER WITH STEEL DOME AND RUBBER PAD BOTTOM
- CLIMB ANGLE 58°
- WHEEL SIZE: Ø 1 1/2"

## SPECIAL FEATURES

NONE

FOR INTERNAL USE ONLY PROJECT SIGN OFF	
SALES	
ENG.	
FAB.	
POWER	

DISTRIBUTOR'S NAME:		P.O.#
VESTIL MANUFACTURING		X
W.O.#		X
DRAWN BY:	DATE:	SALES:
B.NOTHNAGEL	10/8/2015	X
REFERENCE:	SCALE:	FILE NAME:
X	1:22	44-007-018
QUOTED LEAD TIME:	QUOTE #	
X	X	