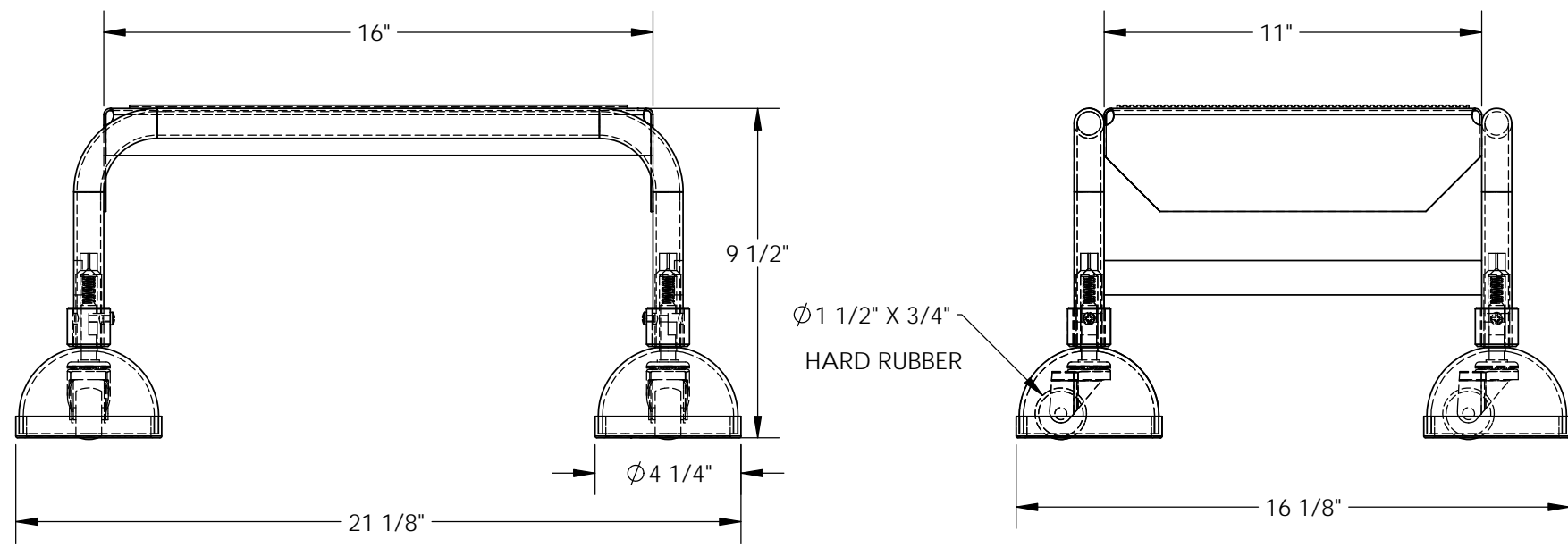


COMMERCIAL ROLLING LADDER, WHITE - LAD-1-W

APPROX WEIGHT: 18.66 lbs.
 DOES NOT INCLUDE WEIGHT OF POWER OR PACKAGING!!!

*** ANY ADDITIONS, DELETIONS, OR OMISSIONS MUST BE CORRECTED ON THIS DRAWING AS THIS DRAWING WILL BE CONSIDERED ALL INCLUSIVE ***

ALL GRAPHICS PROVIDED ARE FOR REFERENCE ONLY. IF CERTAIN DIMENSIONS ARE CRITICAL PLEASE VERIFY THOSE DIMENSIONS WITH YOUR SALESPERSON



STANDARD FEATURES

- MODEL NUMBER IS LAD-1-W
- OVERALL WIDTH IS 21 1/8"
- USABLE WIDTH IS 16"
- OVERALL LENGTH IS 16 1/8"
- USABLE LENGTH IS 11"
- OVERALL HEIGHT IS 9 1/2"
- MAX CAPACITY IS 300 LBS
- STEP TYPE: FORMED STEEL STEPS WITH ANT-SLIP TOP SURFACE
- STEP HEIGHT: 9 1/2" ± 1/4"
- COLOR: POWDERCOATED WHITE
- SPRING LOADED CASTERS WITH STEEL DOME AND RUBBER PAD BOTTOMS
- WHEEL SIZE: Ø 1 1/2" X 3/4"

SPECIAL FEATURES

NONE

DIMENSION TOLERANCE ± 1/4"

| | | |
|---|--|-------------|
| A P P R O V A L | I, THE UNDERSIGNED, AGREE THAT THE PRODUCT AS REPRESENTED SATISFIES DESIGN AND DIMENSION REQUIREMENTS. I ALSO ACKNOWLEDGE MY DUTY TO CONFIRM PRODUCT AND INSTALLATION COMPLIANCE WITH ALL APPLICABLE FEDERAL, STATE AND LOCAL REGULATIONS AND STANDARDS. | |
| | ALL SPECIAL UNITS ARE NON-RETURNABLE | |
| | [] As drawn [] As marked | |
| Signed: _____ | | Date: _____ |
| LEAD TIME WILL START UPON RECEIPT OF SIGNED APPROVAL DRAWING | | |

| | | | | |
|---|--|-----------------------------|----|------------|
| FOR INTERNAL USE ONLY PROJECT SIGN OFF | | DISTRIBUTOR'S NAME: | | P.O.# |
| | | VESTIL MANUFACTURING | | X |
| SALES | | DRAWN BY: | BN | DATE: |
| ENG. | | REFERENCE: | X | 12/26/13 |
| FAB. | | QUOTED LEAD TIME: | X | SCALE: 1:5 |
| POWER | | QUOTE # | X | FILE NAME: |
| | | | | 44-007-274 |