

MULTI-PURPOSE TOTE DUMPER-JMD-1000-60

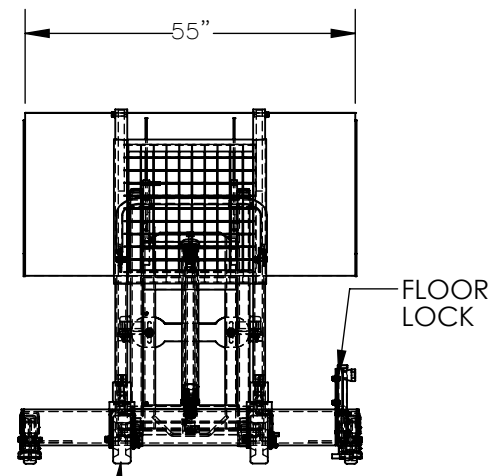
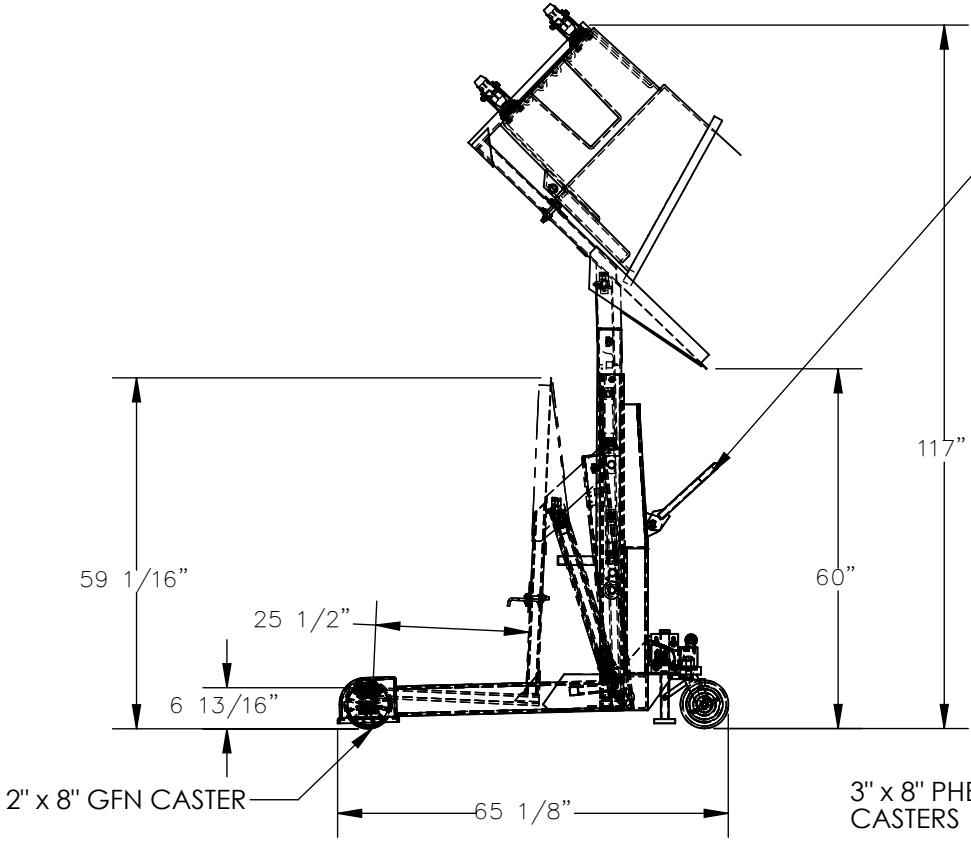
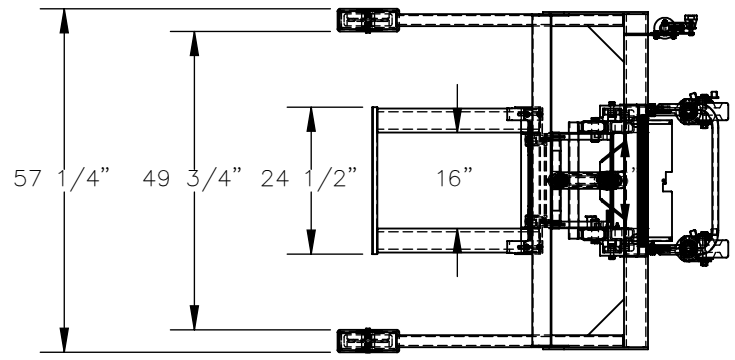
APPROX WEIGHT: 1096.69 lbs.
 DOES NOT INCLUDE WEIGHT OF POWER OR PACKAGING!!!

ANY ADDITIONS, DELETIONS, OR OMISSIONS MUST BE CORRECTED ON THIS DRAWING AS THIS DRAWING WILL BE CONSIDERED ALL INCLUSIVE

PLEASE CIRCLE SPECIFICATIONS:

POWER	AC	DC (12V)	*AIR/OIL
MOTOR VOLTAGE	115	208	230 460
DEDICATED CIRCUIT REQUIRED			
MOTOR PHASE	SINGLE	THREE	
CONTROL	HAND	* FOOT	
~ ALL BATTERY CHARGERS ARE 115V AC ~			
BATTERY CHRG.	REMOTE	ON-BOARD	
* CHRG. INDICATOR	YES	NO	

* AVAILABLE AT ADDITIONAL COST



2" x 8" GFN CASTER

3" x 8" PHENOLIC SWIVEL CASTERS

FOLDING HANDLE

FLOOR LOCK

FOR INTERNAL USE ONLY PROJECT SIGN OFF	
SALES	
ENG.	
FAB.	
POWER	

ALL GRAPHICS PROVIDED ARE FOR REFERENCE ONLY. IF CERTAIN DIMENSIONS ARE CRITICAL PLEASE VERIFY THOSE DIMENSIONS WITH YOUR SALESPERSON

DIMENSION TOLERANCE ± 1/4"

STANDARD FEATURES

- MODEL NUMBER IS JMD-1000-60
- MAXIMUM CAPACITY IS 600 LBS
- *CAPACITY MAY BE DOWN RATED TO CAPACITY OF TOTE BEING USED
- OVERALL WIDTH IS 57 1/4"
- USABLE CHUTE WIDTH IS 55"
- STRADDLE WIDTH (I.D.) IS 49 3/4"
- OVERALL LENGTH IS 65 1/8"
- DUMP HEIGHT IS 60"
- OVERALL LOWERED HEIGHT IS 59 1/16"
- OVERALL ROTATED HEIGHT IS 117"
- MAXIMUM ROTATION ANGLE IS 135°
- FLOOR LOCK
- INCLUDES ONE MPT-2 POLYETHYLENE TOTE (600 LBS CAP)
- DURABLE LIQUID PAINT BLUE FINISH

*ADDITIONAL TOTES

- ___ MPT-1 TOTE HAS A 200 LBS CAP.
- ___ MPT-2 TOTE HAS A 600 LBS CAP.

SPECIAL FEATURES

NONE

I, THE UNDERSIGNED, AGREE THAT THE PRODUCT AS REPRESENTED SATISFIES DESIGN AND DIMENSION REQUIREMENTS. I ALSO ACKNOWLEDGE MY DUTY TO CONFIRM PRODUCT AND INSTALLATION COMPLIANCE WITH ALL APPLICABLE FEDERAL, STATE AND LOCAL REGULATIONS AND STANDARDS.

ANY MODIFIED UNITS ARE NON-RETURNABLE

[] As drawn [] As marked

Signed: _____ Date: _____

Printed Name: _____

LEAD TIME WILL START UPON RECEIPT OF SIGNED APPROVAL DRAWING

DISTRIBUTOR'S NAME:		P.O.#
VESTIL MANUFACTURING		X
DRAWN BY: WHR		W.O.#
DATE: 12/21/2011		X
REFERENCE: X	SCALE: 1:32	SALES: X
QUOTED LEAD TIME: X	QUOTE # X	FILE NAME:
		34-007-017