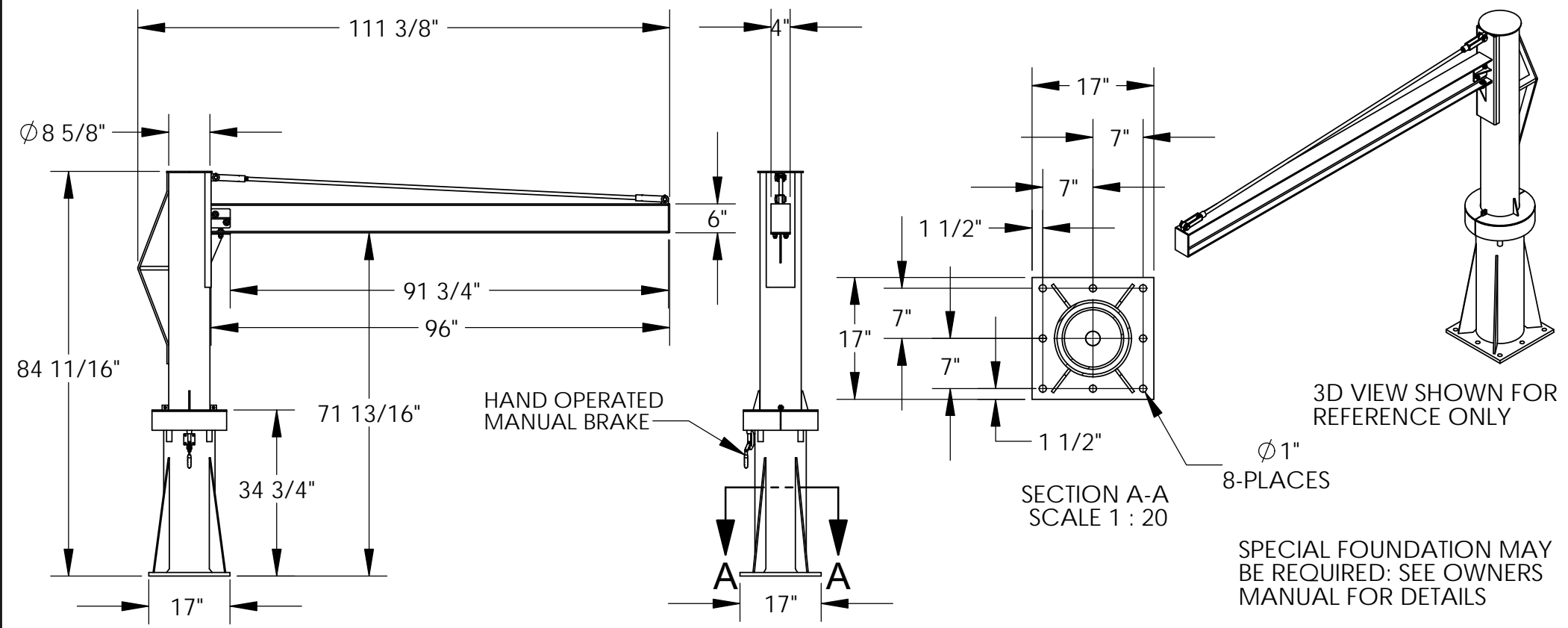


# TRANSPORTABLE JIB CRANE - JIB-P-10-8-6

APPROX WEIGHT: 578.51 lbs.  
 DOES NOT INCLUDE WEIGHT OF POWER OR PACKAGING!!!

\*\*\* ANY ADDITIONS, DELETIONS, OR OMISSIONS MUST BE CORRECTED ON THIS DRAWING AS THIS DRAWING WILL BE CONSIDERED ALL INCLUSIVE \*\*\*

ALL GRAPHICS PROVIDED ARE FOR REFERENCE ONLY. IF CERTAIN DIMENSIONS ARE CRITICAL PLEASE VERIFY THOSE DIMENSIONS WITH YOUR SALESPERSON



DIMENSION TOLERANCE ± 1/4"

## STANDARD FEATURES

- MODEL NUMBER: JIB-P-10-8-6
- CAPACITY: 1,000 POUNDS
- OVERALL LENGTH: 111 3/8"
- OVERALL BOOM LENGTH: 96"
- USABLE BOOM LENGTH: 91 3/4"
- OVERALL HEIGHT: 84 11/16"
- USABLE HEIGHT: 71 13/16"
- I-BEAM SIZE: 6" HEIGHT X 4" FLANGE WIDTH
- UPRIGHT PIPE DIAMETER: 8 5/8"
- BASE SIZE: 17" X 17" X 34 3/4"
- WITH MOUNTING HOLES: Ø 1"
- 360° CONTINUOUS ROTATION
- HAND OPERATED MANUAL BRAKE
- BLUE WATER BASED PAINT FINISH

## SPECIAL FEATURES

NONE

|  |  |             |
|--|--|-------------|
| APPROVAL   | I, THE UNDERSIGNED, AGREE THAT THE PRODUCT AS REPRESENTED SATISFIES DESIGN AND DIMENSION REQUIREMENTS. I ALSO ACKNOWLEDGE MY DUTY TO CONFIRM PRODUCT AND INSTALLATION COMPLIANCE WITH ALL APPLICABLE FEDERAL, STATE AND LOCAL REGULATIONS AND STANDARDS. |             |
|  | ANY MODIFIED UNITS ARE NON-RETURNABLE  |             |
|  | [ ] As drawn      [ ] As marked  |             |
|  | Signed: _____  | Date: _____ |
| Printed Name: _____  |  |             |
| LEAD TIME WILL START UPON RECEIPT OF SIGNED APPROVAL DRAWING |  |             |

|   |  |
|---|--|
| FOR INTERNAL USE ONLY<br>PROJECT SIGN OFF |  |
| SALES                                     |  |
| ENG.                                      |  |
| FAB.                                      |  |
| POWER                                     |  |

|                      |               |            |
|----------------------|---------------|------------|
| DISTRIBUTOR'S NAME:  |               | P.O.#      |
| VESTIL MANUFACTURING |               | X          |
| DRAWN BY: ND         | DATE: 8/14/09 | W.O.#      |
| REFERENCE: X         | SCALE: 1:30   | X          |
| QUOTED LEAD TIME: X  | QUOTE #       | FILE NAME: |
|                      | X             | 28-007-119 |