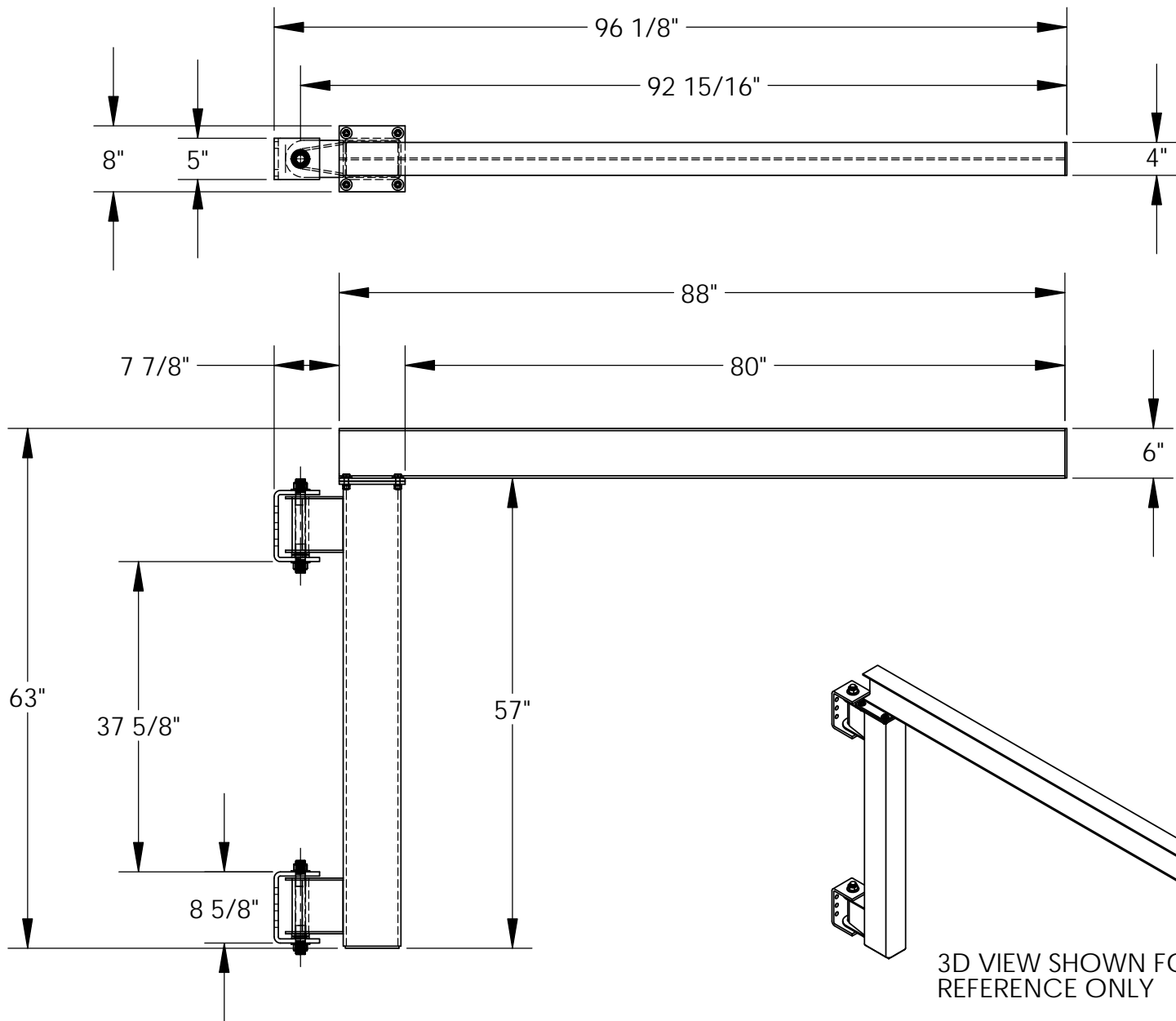


WALL JIB (LOW CEILING) - JIB-LC-10

APPROX WEIGHT: 291.48 lbs.
 DOES NOT INCLUDE WEIGHT OF POWER OR PACKAGING!!!

ANY ADDITIONS, DELETIONS, OR OMISSIONS MUST BE CORRECTED ON THIS DRAWING AS THIS DRAWING WILL BE CONSIDERED ALL INCLUSIVE



3D VIEW SHOWN FOR REFERENCE ONLY

DIMENSION TOLERANCE ± 1/4"

ALL GRAPHICS PROVIDED ARE FOR REFERENCE ONLY. IF CERTAIN DIMENSIONS ARE CRITICAL PLEASE VERIFY THOSE DIMENSIONS WITH YOUR SALESPERSON

STANDARD FEATURES

- MODEL NUMBER IS JIB-LC-10
- CAPACITY IS 1,000 LBS.
- OVERALL WIDTH IS 8"
- OVERALL JIB LENGTH IS 96 1/8"
- OVERALL I-BEAM LENGTH IS 88"
- USABLE I-BEAM LENGTH IS 80"
- OVERALL HEIGHT IS 63"
- UNDER I-BEAM HEIGHT IS 57"
- I-BEAM SIZE: 6" HEIGHT X 4" FLANGE WIDTH
- 180° I-BEAM ROTATION

SPECIAL FEATURES

NONE

A P P R O V A L	I, THE UNDERSIGNED, AGREE THAT THE PRODUCT AS REPRESENTED SATISFIES DESIGN AND DIMENSION REQUIREMENTS. I ALSO ACKNOWLEDGE MY DUTY TO CONFIRM PRODUCT AND INSTALLATION COMPLIANCE WITH ALL APPLICABLE FEDERAL, STATE AND LOCAL REGULATIONS AND STANDARDS.	
	ANY MODIFIED UNITS ARE NON-RETURNABLE	
	[] As drawn [] As marked	
	Signed: _____	Date: _____
Printed Name: _____		
<i>LEAD TIME WILL START UPON RECEIPT OF SIGNED APPROVAL DRAWING</i>		

FOR INTERNAL USE ONLY PROJECT SIGN OFF		DISTRIBUTOR'S NAME:		P.O.#	
		VESTIL MANUFACTURING		X	
SALES		DRAWN BY: ND		DATE: 6/4/2007	W.O.#
ENG.		REFERENCE: X		SCALE: 1:19	X
FAB.		QUOTED LEAD TIME: X		QUOTE #	FILE NAME:
POWER				X	28-007-033-001