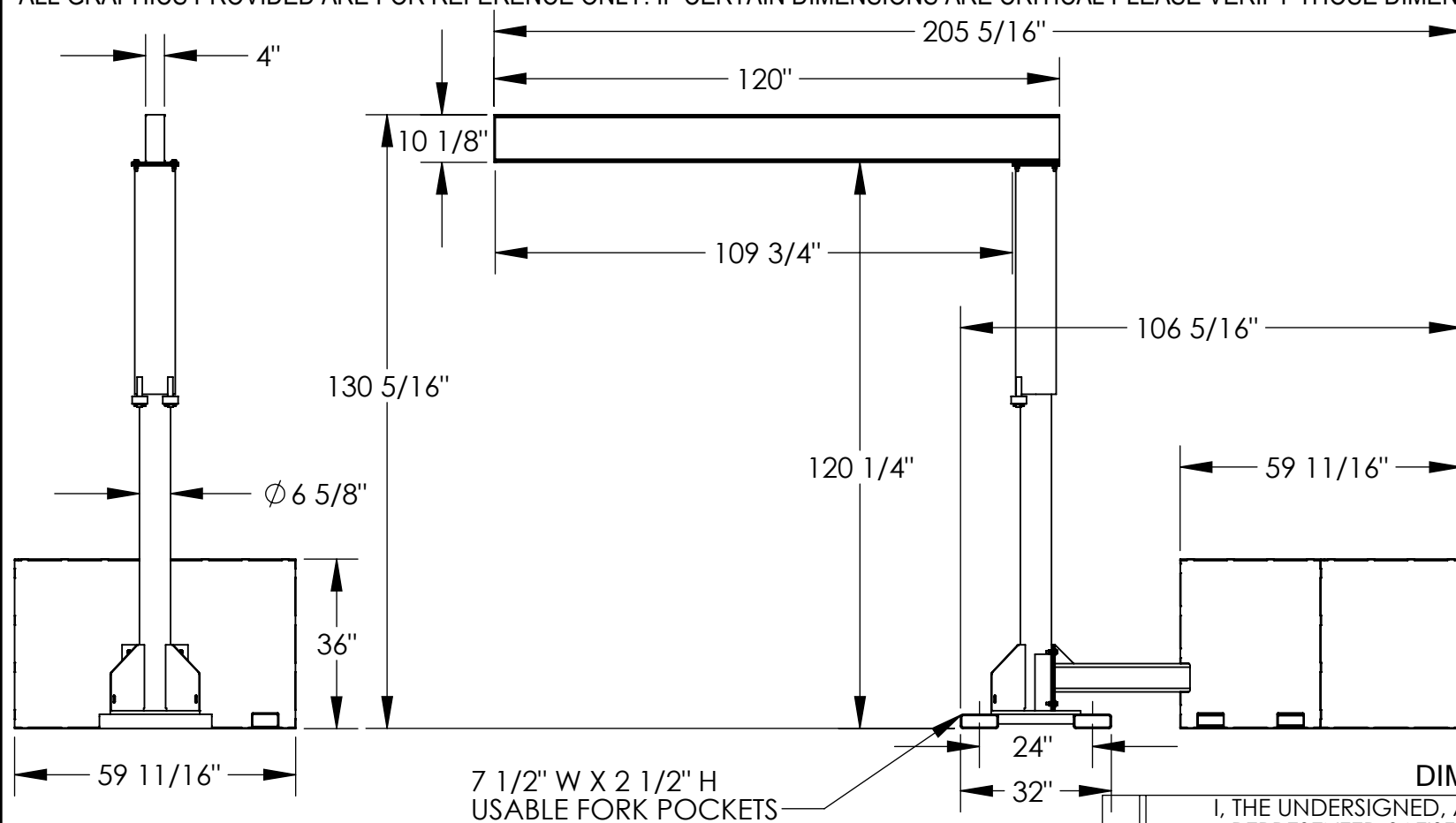


PORTABLE OFFSET JIB CRANE - JIB-CBX-50-10-10-BC

*** ANY ADDITIONS, DELETIONS, OR OMISSIONS MUST BE CORRECTED ON THIS DRAWING AS THIS DRAWING WILL BE CONSIDERED ALL INCLUSIVE ***

ALL GRAPHICS PROVIDED ARE FOR REFERENCE ONLY. IF CERTAIN DIMENSIONS ARE CRITICAL PLEASE VERIFY THOSE DIMENSIONS WITH YOUR SALESPERSON



NOTE: UNIT IS FILLED WITH GRAVEL OR LIMESTONE AGGREGATE CONCRETE.

DIMENSION TOLERANCE ± 1/4"

STANDARD FEATURES

- MODEL NUMBER IS JIB-CBX-50-10-10-BC
- CAPACITY IS 500 LBS.
- OVERALL WIDTH IS 59 11/16"
- USABLE WIDTH IS 4"
- OVERALL LENGTH IS 205 5/16"
- OVERALL I-BEAM LENGTH IS 120"
- USABLE I-BEAM LENGTH IS 109 3/4"
- OVERALL HEIGHT IS 130 5/16"
- UNDER I-BEAM HEIGHT IS 120 1/4"
- USABLE FORK POCKETS IS:
 - 7 1/2" W X 2 1/2" H W/ 24" FORK CENTERS
- OVERALL BASE HEIGHT IS 36"
- OVERALL BASE LENGTH IS 106 5/16"
- I-BEAM SIZE IS 10 1/8" HEIGHT X 4" FLANGE WIDTH
- UNIT WEIGHT IS 6,047 LBS. APPROX.
- DURABLE LIQUID PAINT BLUE FINISH

SPECIAL FEATURES

NONE

APPROVAL

I, THE UNDERSIGNED, AGREE THAT THE PRODUCT AS REPRESENTED SATISFIES DESIGN AND DIMENSION REQUIREMENTS. I ALSO ACKNOWLEDGE MY DUTY TO CONFIRM PRODUCT AND INSTALLATION COMPLIANCE WITH ALL APPLICABLE FEDERAL, STATE AND LOCAL REGULATIONS AND STANDARDS.

ANY MODIFIED UNITS ARE NON-RETURNABLE

[] As drawn [] As marked

Signed: _____ Date: _____

Printed Name: _____

LEAD TIME WILL START UPON RECEIPT OF SIGNED APPROVAL DRAWING

FOR INTERNAL USE ONLY PROJECT SIGN OFF	
SALES	
ENG.	
FAB.	
POWER	

DISTRIBUTOR'S NAME:		P.O.#
VESTIL MANUFACTURING		X
DRAWN BY: ND		W.O.#
DATE: 9/19/08		X
REFERENCE: X	SCALE: 1:36	SALES: X
QUOTED LEAD TIME: X	QUOTE #	FILE NAME:
	X	28-007-237-001