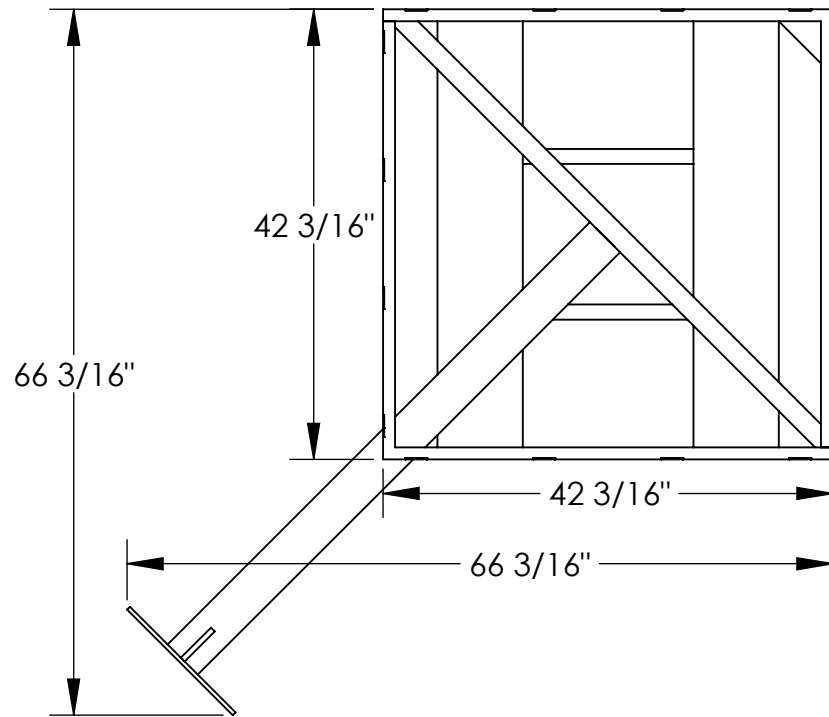


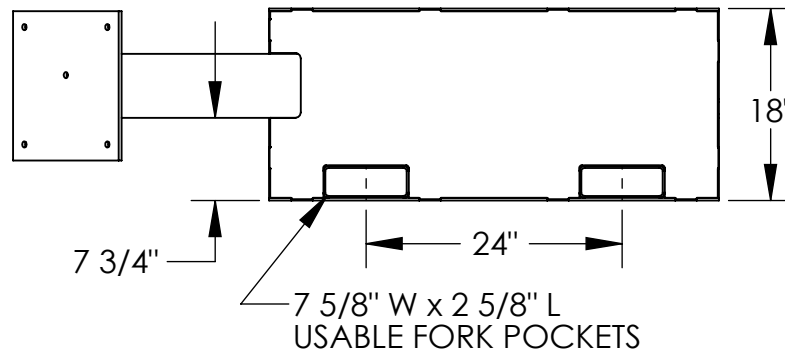
FILLED OFFSET COUNTERBALANCE JIB BASE - JIB-CBX-18-BC

*** ANY ADDITIONS, DELETIONS, OR OMISSIONS MUST BE CORRECTED ON THIS DRAWING AS THIS DRAWING WILL BE CONSIDERED ALL INCLUSIVE ***
 ALL GRAPHICS PROVIDED ARE FOR REFERENCE ONLY. IF CERTAIN DIMENSIONS ARE CRITICAL PLEASE VERIFY THOSE DIMENSIONS WITH YOUR SALESPERSON



NOTE: MUST BE FILLED WITH GRAVEL OR LIMESTONE AGGREGATE CONCRETE.

WEIGHT FILLED WITH CONCRETE IS: 2,715 lbs. OR MORE



DIMENSION TOLERANCE $\pm 1/4$ "

APPROVAL	I, THE UNDERSIGNED, AGREE THAT THE PRODUCT AS REPRESENTED SATISFIES DESIGN AND DIMENSION REQUIREMENTS. I ALSO ACKNOWLEDGE MY DUTY TO CONFIRM PRODUCT AND INSTALLATION COMPLIANCE WITH ALL APPLICABLE FEDERAL, STATE AND LOCAL REGULATIONS AND STANDARDS.	
	ANY MODIFIED UNITS ARE NON-RETURNABLE	
	[] As drawn [] As marked	
	Signed: _____ Date: _____	
Printed Name: _____		
LEAD TIME WILL START UPON RECEIPT OF SIGNED APPROVAL DRAWING		

STANDARD FEATURES

- MODEL NUMBER IS JIB-CBX-18-BC
- OVERALL WIDTH IS 66 3/16"
- OVERALL LENGTH IS 66 3/16"
- OVERALL HEIGHT IS 18"
- USABLE FORK POCKETS: 7 5/8" W X 2 5/8" H
- FORK POCKET CENTERS ARE 24"
- DURABLE LIQUID PAINT BLUE FINISH
- FOR USE WITH MODELS: JIB-CBX-25-8-10
- JIB-CBX-25-10-10
- JIB-CBX-50-8-10

SPECIAL FEATURES

NONE

FOR INTERNAL USE ONLY PROJECT SIGN OFF	
SALES	
ENG.	
FAB.	
POWER	

DISTRIBUTOR'S NAME:		P.O.#
VESTIL MANUFACTURING		X
DRAWN BY: ND		W.O.#
DATE: 10/2/2008		X
REFERENCE: X	SCALE: 1:18	SALES: X
QUOTED LEAD TIME: X	QUOTE #	FILE NAME:
	X	28-007-239-001