

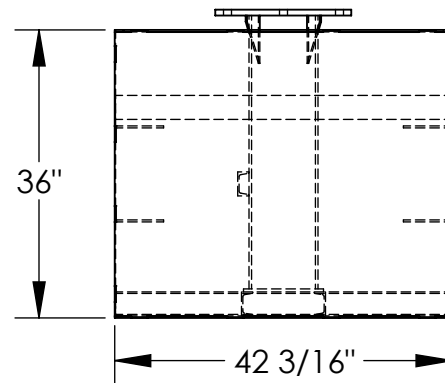
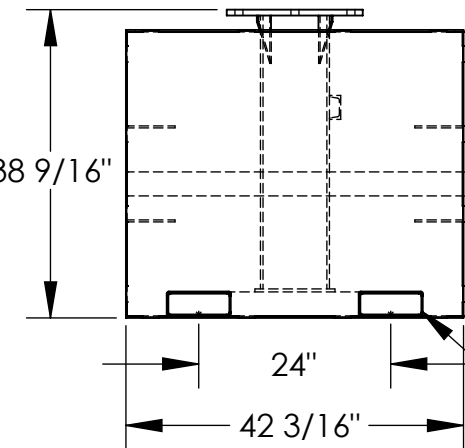
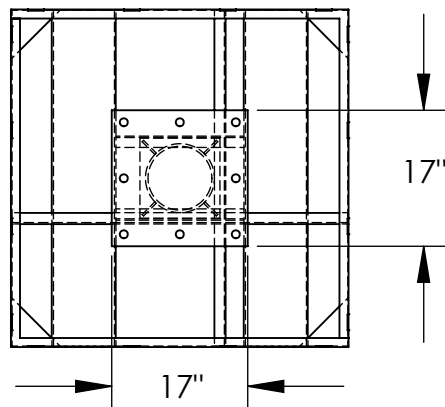
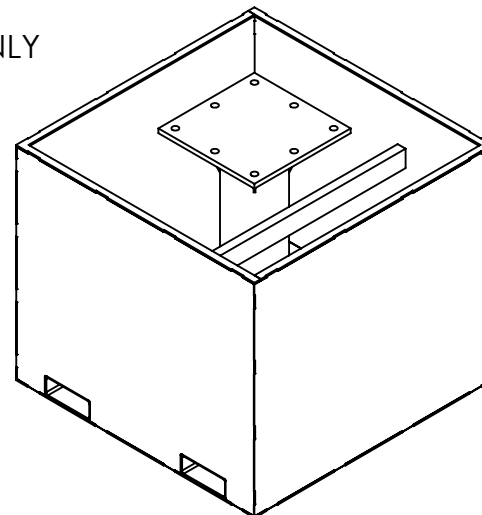
# EMPTY COUNTERBALANCE JIB BASE - JIB-CB-36-B

APPROX WEIGHT: 609 lbs.  
DOES NOT INCLUDE WEIGHT OF POWER OR PACKAGING!!!

\*\*\* ANY ADDITIONS, DELETIONS, OR OMISSIONS MUST BE CORRECTED ON THIS DRAWING AS THIS DRAWING WILL BE CONSIDERED ALL INCLUSIVE \*\*\*

ALL GRAPHICS PROVIDED ARE FOR REFERENCE ONLY. IF CERTAIN DIMENSIONS ARE CRITICAL PLEASE VERIFY THOSE DIMENSIONS WITH YOUR SALESPERSON

3-D FOR REFERENCE ONLY  
SCALE 1:24



7 5/8" W x 2 5/8" L  
USABLE FORK POCKETS

NOTE: MUST BE FILLED WITH GRAVEL  
OR LIMESTONE AGGREGATE  
CONCRETE.

REQUIRES APPROXIMATELY (82) 60 - LB. BAGS  
OF SAKRETE MIX TO FILL.

UNIT WEIGHT WHEN FILLED WITH CONCRETE  
MUST EQUAL OR EXCEED 5,330 LBS. TO  
FUNCTION SAFELY AND PROPERLY.

**DIMENSION TOLERANCE ± 1/4"**

## STANDARD FEATURES

- MODEL NUMBER IS JIB-CB-36-B
- OVERALL WIDTH IS 42 3/16"
- OVERALL LENGTH IS 42 3/16"
- OVERALL HEIGHT IS 38 9/16"
- USABLE BASE HEIGHT IS 36"
- FORK POCKETS: 7 5/8" X 2 5/8"
- FORK POCKET CENTERS ARE 24"
- DURABLE LIQUID PAINT BLUE FINISH
- FOR USE WITH MODELS: JIB-CB-50-10-10  
JIB-CB-100-8-10

## SPECIAL FEATURES

NONE

<b>APPROVAL</b>	I, THE UNDERSIGNED, AGREE THAT THE PRODUCT AS REPRESENTED SATISFIES DESIGN AND DIMENSION REQUIREMENTS. I ALSO ACKNOWLEDGE MY DUTY TO CONFIRM PRODUCT AND INSTALLATION COMPLIANCE WITH ALL APPLICABLE FEDERAL, STATE AND LOCAL REGULATIONS AND STANDARDS.	
	<b>ANY MODIFIED UNITS ARE NON-RETURNABLE</b>	
	[ ] As drawn      [ ] As marked	
	Signed: _____	Date: _____
Printed Name: _____		
<b>LEAD TIME WILL START UPON RECEIPT OF SIGNED APPROVAL DRAWING</b>		

FOR INTERNAL USE ONLY PROJECT SIGN OFF	
SALES	
ENG.	
FAB.	
POWER	

DISTRIBUTOR'S NAME:		P.O.#
VESTIL MANUFACTURING		X
DRAWN BY: X		W.O.#
DATE: XX/XX/XX		X
REFERENCE: X	SCALE: 1:24	SALES: X
QUOTED LEAD TIME: X	QUOTE #	FILE NAME:
	X	28-007-125