

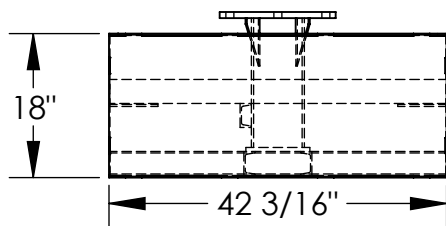
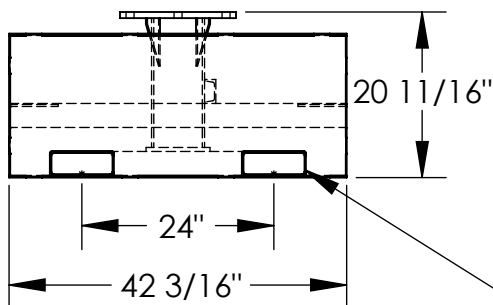
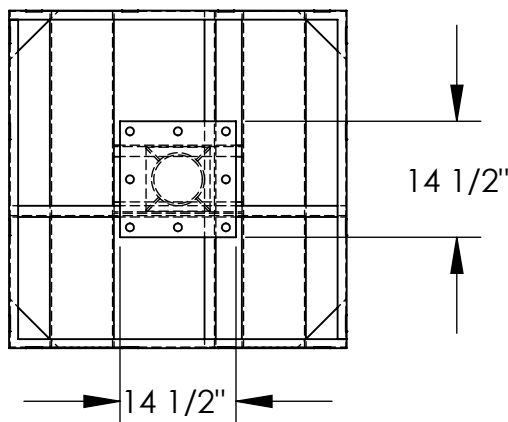
EMPTY COUNTERBALANCE JIB BASE - JIB-CB-18-B

APPROX WEIGHT: 440 lbs.
 DOES NOT INCLUDE WEIGHT OF POWER OR PACKAGING!!!

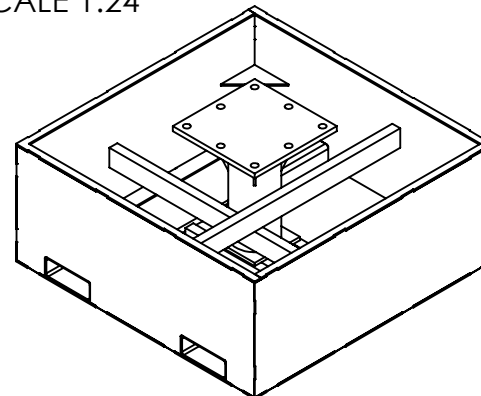
*** ANY ADDITIONS, DELETIONS, OR OMISSIONS MUST BE CORRECTED ON THIS DRAWING AS THIS DRAWING WILL BE CONSIDERED ALL INCLUSIVE ***

ALL GRAPHICS PROVIDED ARE FOR REFERENCE ONLY. IF CERTAIN DIMENSIONS ARE CRITICAL PLEASE VERIFY THOSE DIMENSIONS WITH YOUR SALESPERSON

3-D FOR REFERENCE ONLY
 SCALE 1:24



7 5/8" W x 2 5/8" L
 USABLE FORK POCKETS



NOTE: MUST BE FILLED WITH GRAVEL
 OR LIMESTONE AGGREGATE
 CONCRETE.

REQUIRES APPROXIMATELY (41) 60 - LB. BAGS
 OF SAKRETE MIX TO FILL.

UNIT WEIGHT WHEN FILLED WITH CONCRETE
 MUST EQUAL OR EXCEED 2,665 LBS. TO
 FUNCTION SAFELY AND PROPERLY.

STANDARD FEATURES

- MODEL NUMBER IS JIB-CB-18-B
- OVERALL WIDTH IS 42 3/16"
- OVERALL LENGTH IS 42 3/16"
- OVERALL HEIGHT IS 20 11/16"
- USABLE BASE HEIGHT IS 18"
- FORK POCKETS: 7 5/8" X 2 5/8"
- FORK POCKET CENTERS ARE 24"
- DURABLE LIQUID PAINT BLUE FINISH
- FOR USE WITH MODELS: JIB-CB-25-8-10
- JIB-CB-25-10-10
- JIB-CB-50-8-10

SPECIAL FEATURES

NONE

DIMENSION TOLERANCE ± 1/4"

A P P R O V A L	I, THE UNDERSIGNED, AGREE THAT THE PRODUCT AS REPRESENTED SATISFIES DESIGN AND DIMENSION REQUIREMENTS. I ALSO ACKNOWLEDGE MY DUTY TO CONFIRM PRODUCT AND INSTALLATION COMPLIANCE WITH ALL APPLICABLE FEDERAL, STATE AND LOCAL REGULATIONS AND STANDARDS.	
	ANY MODIFIED UNITS ARE NON-RETURNABLE	
	[] As drawn [] As marked	
	Signed: _____ Date: _____	
Printed Name: _____		
LEAD TIME WILL START UPON RECEIPT OF SIGNED APPROVAL DRAWING		

FOR INTERNAL USE ONLY PROJECT SIGN OFF	
SALES	
ENG.	
FAB.	
POWER	

DISTRIBUTOR'S NAME:		P.O.#
VESTIL MANUFACTURING		X
DRAWN BY: SR		W.O.#
DATE: 10/6/2005		X
REFERENCE: X	SCALE: 1:24	SALES: X
QUOTED LEAD TIME: X	QUOTE #	FILE NAME:
	X	28-007-124