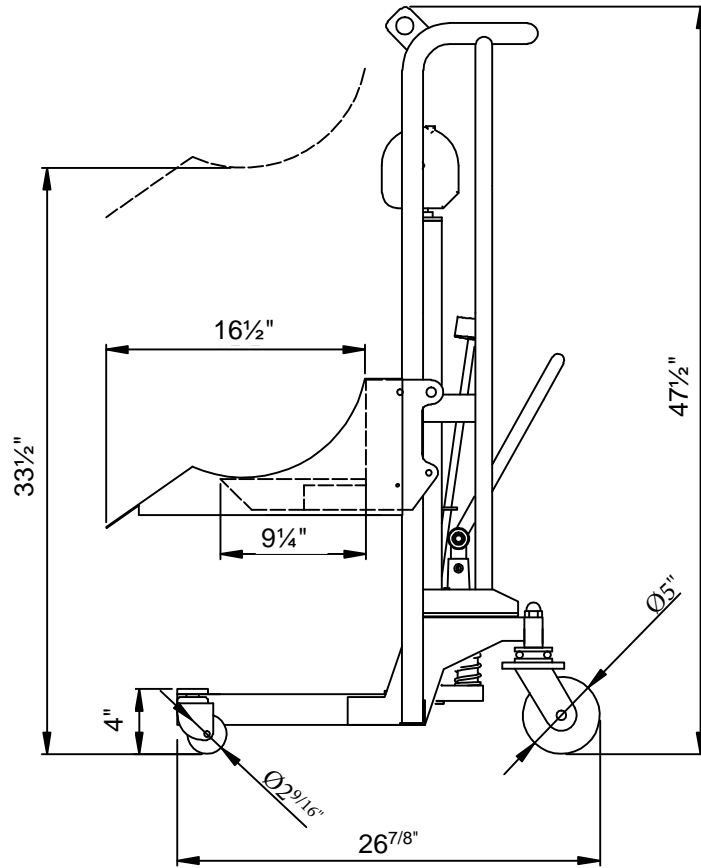


**Vestil Manufacturing Company**

**HYD-ROLL-16**

2999 North Wayne Street, P.O. Box 570,  
Angola Indiana 46703  
Telephone (260) 665-7586 \* Fax (260)  
665-1339



**Specifications:**

**Capacity: 880 lbs**

**Maximum Roll Width: 98"**

**Tray Width: 33 1/2"**

**Service Range: 4 to 33 1/2"**

