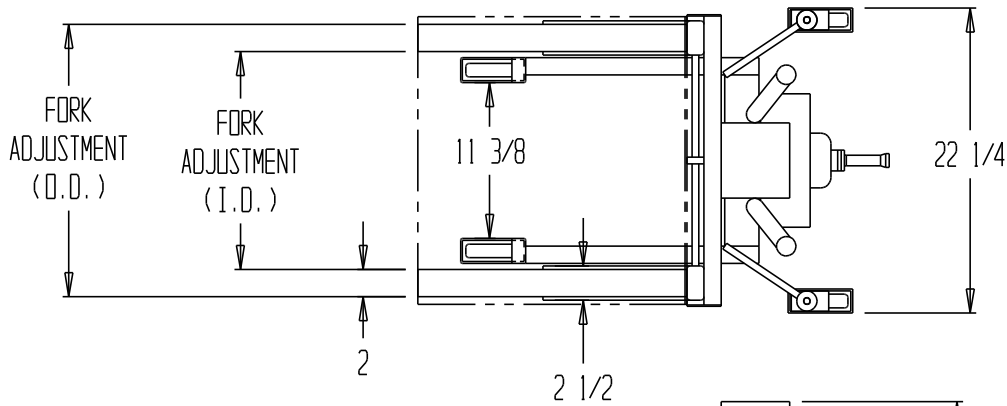
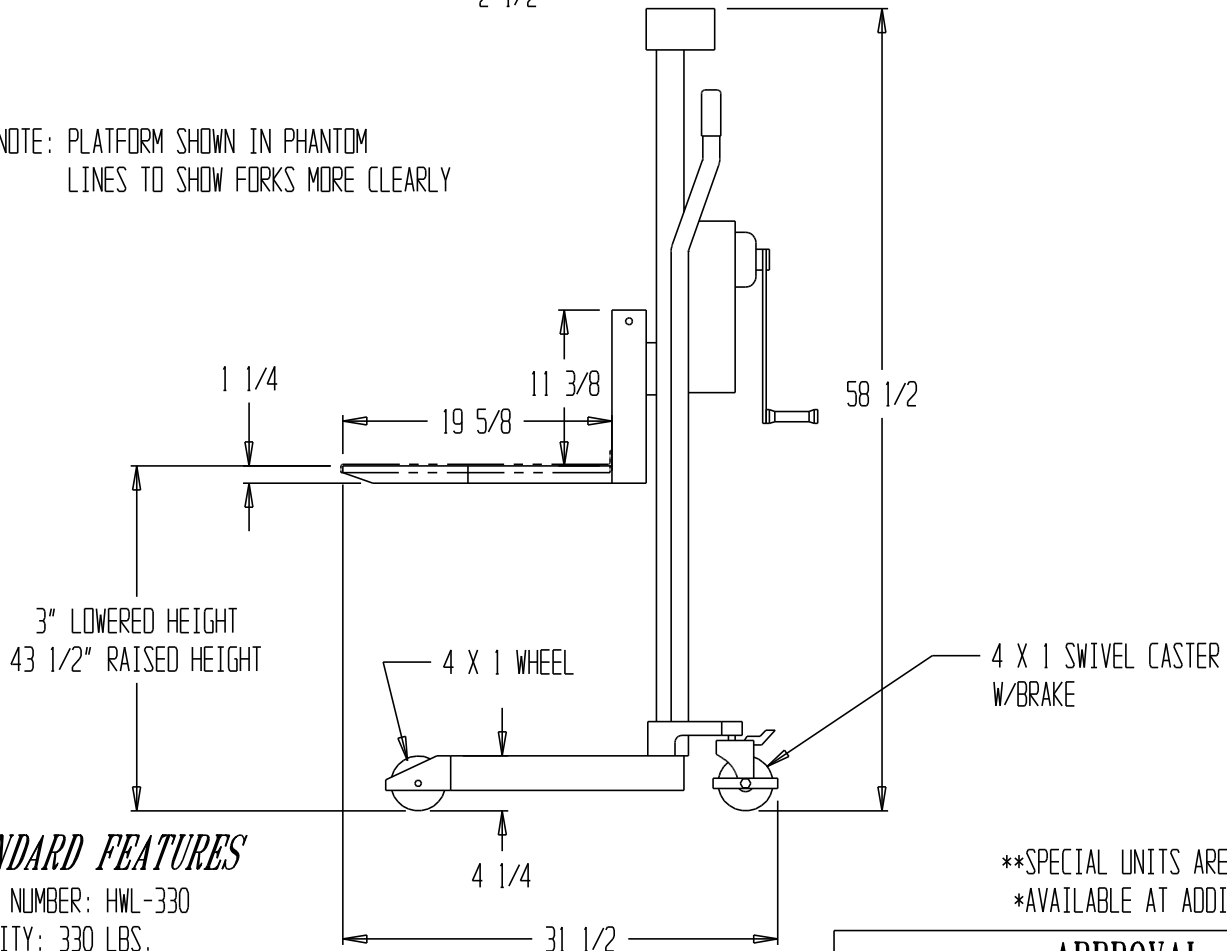


PORTABLE HAND WINCH LIFTER, HWL-330

LEAD TIME WILL START UPON
RECEIPT OF SIGNED APPROVAL
DRAWING



NOTE: PLATFORM SHOWN IN PHANTOM
LINES TO SHOW FORKS MORE CLEARLY



STANDARD FEATURES

- MODEL NUMBER: HWL-330
- CAPACITY: 330 LBS.
- OVERALL WIDTH: 22 1/4"
- OVERALL LENGTH: 31 1/2"
- OVERALL HEIGHT: 58 1/2"
- STRADDLE CLEARANCE: 11 3/8"
- FORK LENGTH: 19 3/8"
- INDIVIDUAL FORK WIDTH: 2"
- FORK LOWERED HEIGHT: 3"
- FORK RAISED HEIGHT: 43 1/2"
- FORK ADJUSTMENT: (O.D.) 20" MAX., 5" MIN.
(I.D.) 16" MAX., 1" MIN.
- REMOVABLE PLATFORM SIZE: 21" W x 19 1/2" L (USABLE)
- OPERATION TYPE: HAND WINCH

SPECIAL FEATURES

NONE

**SPECIAL UNITS ARE NON-RETURNABLE
*AVAILABLE AT ADDITIONAL COSTS

APPROVAL

I, the undersigned, hereby approve this print
 As drawn As marked
 This includes my approval of design & dimensions.
 Signed: _____
 Date: _____

DISTRIBUTOR'S NAME: VESTIL MANUFACTURING		P.O.#: -
DRAWN BY: SR		W.O.#: -
DATE: 3-1-05		SALES: -
REFERENCE: -	SCALE: 1:14	DRWG./FILE NAME: HWL-330