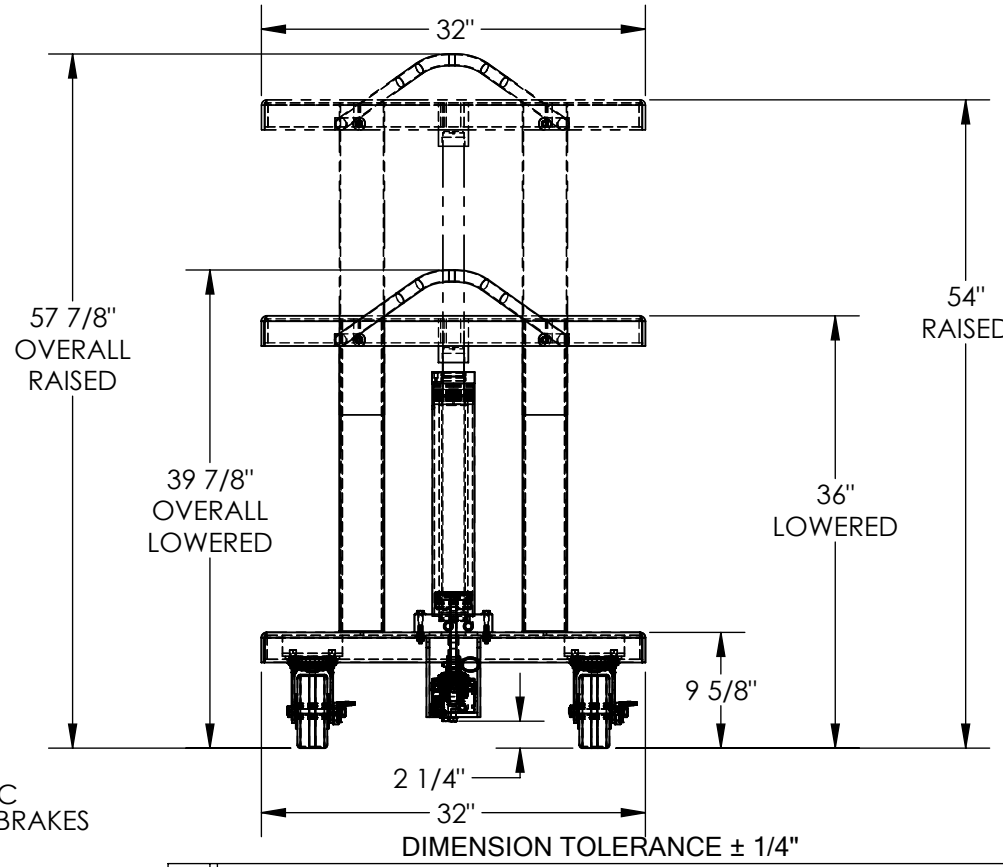
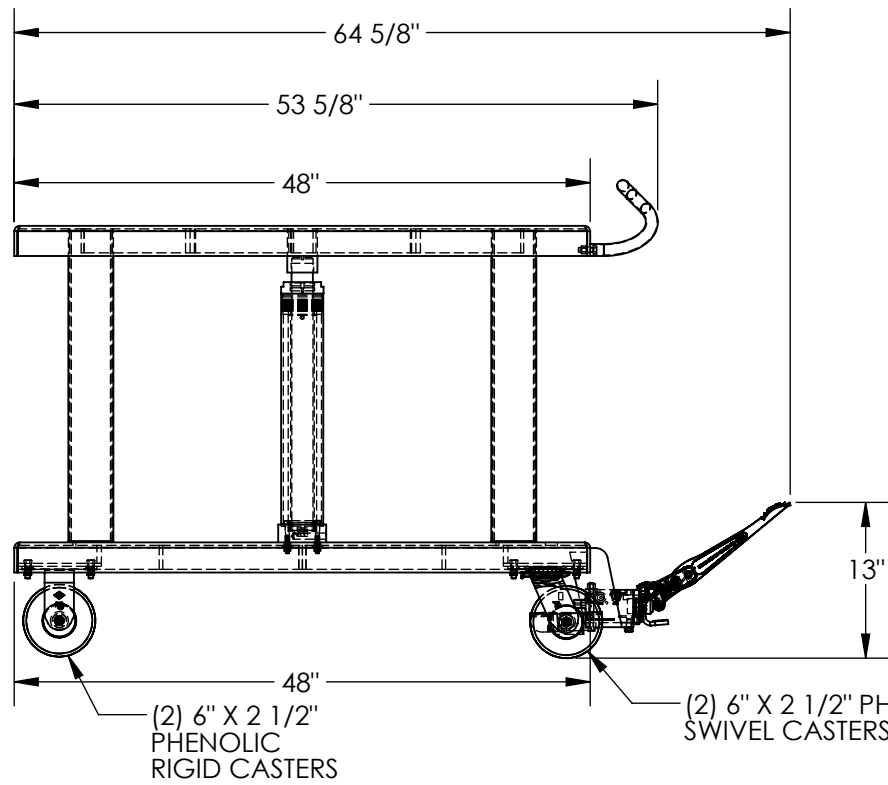


# HYDRAULIC POST TABLE - HT-40-3248

APPROX WEIGHT: 570.47 lbs.  
DOES NOT INCLUDE WEIGHT OF POWER OR PACKAGING!!!

\*\*\* ANY ADDITIONS, DELETIONS, OR OMISSIONS MUST BE CORRECTED ON THIS DRAWING AS THIS DRAWING WILL BE CONSIDERED ALL INCLUSIVE \*\*\*

ALL GRAPHICS PROVIDED ARE FOR REFERENCE ONLY. IF CERTAIN DIMENSIONS ARE CRITICAL PLEASE VERIFY THOSE DIMENSIONS WITH YOUR SALESPERSON



HYDRAULIC HOSES NOT SHOWN

## STANDARD FEATURES

- MODEL NUMBER IS HT-40-3248
- CAPACITY IS 4,000 LBS.
- OVERALL WIDTH IS 32"
- USABLE WIDTH IS 32"
- OVERALL LENGTH IS 64 5/8"
- USABLE LENGTH IS 48"
- RAISED HEIGHT IS 54"
- LOWERED HEIGHT IS 36"
- OVERALL RAISED HEIGHT IS 57 7/8"
- OVERALL LOWERED HEIGHT IS 39 7/8"

## SPECIAL FEATURES

NONE

- (2) PHENOLIC RIGID CASTERS
- (2) PHENOLIC SWIVEL CASTERS WITH BRAKES
- TOUGH BAKED IN POWDER COATED BLUE FINISH

| FOR INTERNAL USE ONLY<br>PROJECT SIGN OFF |  |
|---|--|
| SALES                                     |  |
| ENG.                                      |  |
| FAB.                                      |  |
| POWER                                     |  |

I, THE UNDERSIGNED, AGREE THAT THE PRODUCT AS REPRESENTED SATISFIES DESIGN AND DIMENSION REQUIREMENTS. I ALSO ACKNOWLEDGE MY DUTY TO CONFIRM PRODUCT AND INSTALLATION COMPLIANCE WITH ALL APPLICABLE FEDERAL, STATE AND LOCAL REGULATIONS AND STANDARDS.

**ANY MODIFIED UNITS ARE NON-RETURNABLE**

[ ] As drawn      [ ] As marked

Signed: \_\_\_\_\_ Date: \_\_\_\_\_

Printed Name: \_\_\_\_\_

*LEAD TIME WILL START UPON RECEIPT OF SIGNED APPROVAL DRAWING*

|                             |             |                |
|-----------------------------|-------------|----------------|
| DISTRIBUTOR'S NAME:         |             | P.O.#          |
| <b>VESTIL MANUFACTURING</b> |             | X              |
| DRAWN BY: TAW               |             | W.O.#          |
| DATE: 03/25/2016            |             | X              |
| REFERENCE: X                | SCALE: 1:16 | SALES: X       |
| QUOTED LEAD TIME: X         | QUOTE #     | FILE NAME:     |
|                             | X           | 21-007-048-001 |