



Vestil Manufacturing Corp.

2999 North Wayne Street, P.O. Box 507, Angola, IN 46703

Telephone: (260) 665-7586 OR Toll Free (800) 348-0868

Fax: (260) 665-1339

Web: www.vestilmfg.com e-mail: info@vestil.com

HSR-4860



Receiving Instructions

After delivery, remove the packaging from the product. Inspect the product closely to determine whether it sustained damage during transport. If damage is discovered, record a complete description of it on the bill of lading. If the product is undamaged, discard the packaging.

NOTE: The end-user is solely responsible for confirming that product design, use, and maintenance comply with laws, regulations, codes, and mandatory standards applied where the product is used.

Technical Service & Replacement Parts

For answers to questions not addressed in these instructions and to order replacement parts, labels, and accessories, call our Technical Service and Parts Department at (260) 665-7586. The department can also be contacted online at http://www.vestilmfg.com/parts_info.htm.

Electronic copies of Instruction Manuals

Additional copies of this instruction manual may be downloaded from <https://www.vestil.com/page-manuals.php>.

Table of Contents		Page
Specifications.....		2
Exploded View and Bill of Materials.....		3
Signal Words.....		3
Safety Instructions.....		4
Assembling the Rack.....		4
Installing the Rack.....		4
Loading the Rack.....		5
Record of Satisfactory Condition.....		5
Inspections & Maintenance.....		5
Labeling Diagram.....		5
Limited Warranty.....		6

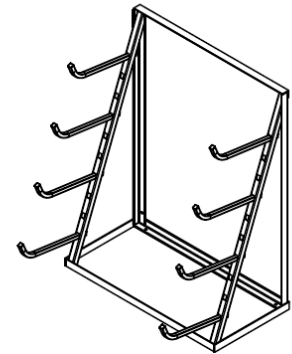
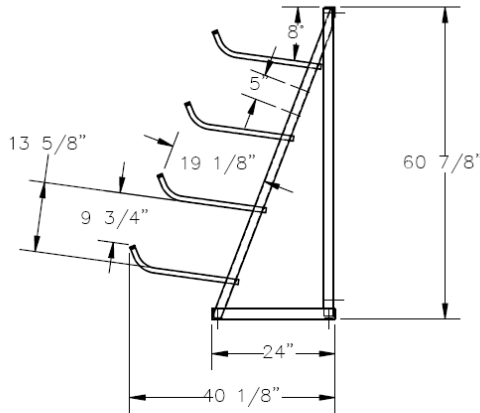
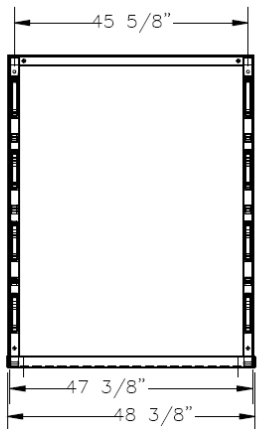
SPECIFICATIONS (31-007-360)

Specifications for the model HSR-4860 racks are provided on Vestil's website. To access the appropriate specifications document, navigate to this webpage: <https://www.vestil.com/product.php?FID=1717>. Click the "Product Specifications Table" tab. Scroll the page to the table row for model HSR-4860 and click the button in the PDF column that looks like a pencil inside a box. A PDF file will open. This file is the specifications document. Print a copy of the document and keep it with your copy of this manual. The following is a copy of the specifications document. The document is current as of the publication date of this manual. If you have any questions about the specifications document, please contact the [TECHNICAL SERVICE](#) department.

HORIZONTAL STORAGE RACK - HSR-4860

APPROX WEIGHT: 112.31 lbs.
DOES NOT INCLUDE WEIGHT OF POWER OR PACKAGING!!!

*** ANY ADDITIONS, DELETIONS, OR OMISSIONS MUST BE CORRECTED ON THIS DRAWING AS THIS DRAWING WILL BE CONSIDERED ALL INCLUSIVE ***
ALL GRAPHICS PROVIDED ARE FOR REFERENCE ONLY. IF CERTAIN DIMENSIONS ARE CRITICAL PLEASE VERIFY THOSE DIMENSIONS WITH YOUR SALESPERSON



DIMENSION TOLERANCE ± 1/4"

STANDARD FEATURES

- MODEL NUMBER IS: HSR-4860
- CAPACITY IS: 250 LBS PER ARM
(2,000 LBS MAX RACK CAPACITY)
- OVERALL LENGTH IS: 40 1/8"
- USABLE ARM LENGTH IS: 19 1/8"
- ARMS MOUNT SPACING IS: 5" ON CENTER
- 10 MOUNT LOCATIONS PER SIDE (20 TOTAL)
- QUANTITY OF ARMS INCLUDED WITH RACK: 8 PCS
- OVERALL WIDTH IS: 48 3/8"
- USABLE WIDTH IS: 47 3/8"
- OVERALL HEIGHT IS: 60 7/8"
- TOUGH BAKED IN POWDER COATED BLUE FINISH
- RACK MUST BE ANCHORED TO GROUND BEFORE USE.

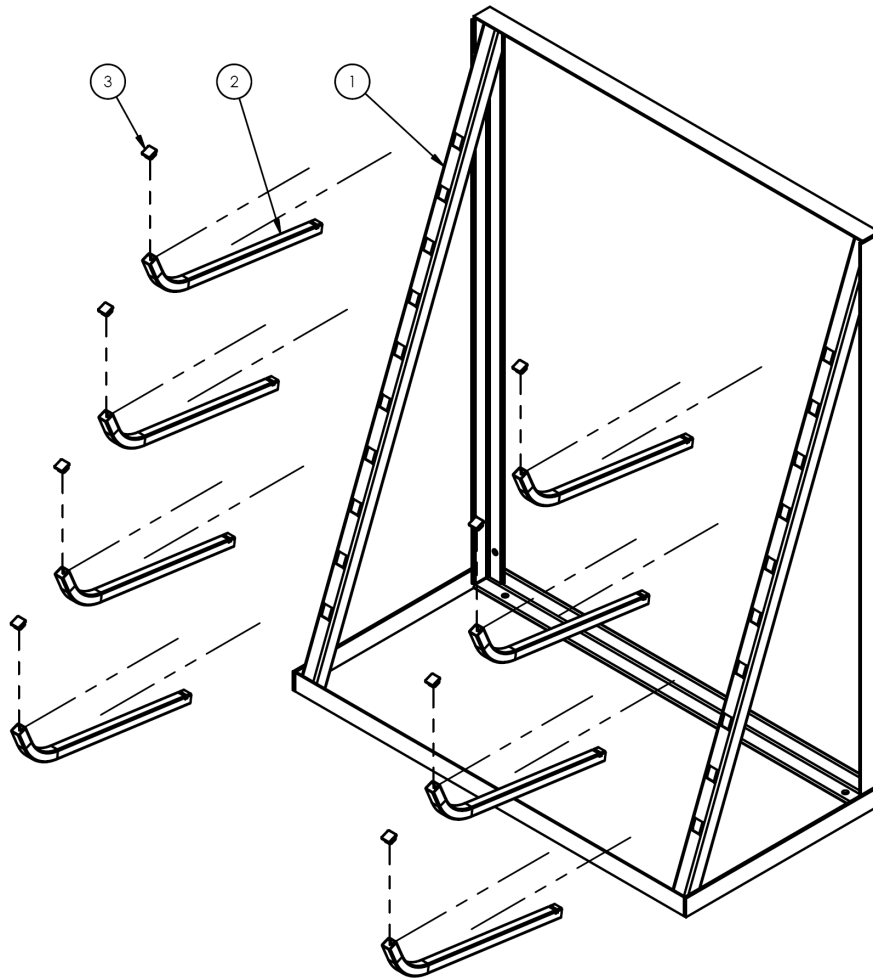
SPECIAL FEATURES

NONE

APPROVAL	I, THE UNDERSIGNED, AGREE THAT THE PRODUCT AS REPRESENTED SATISFIES DESIGN AND DIMENSION REQUIREMENTS. I ALSO ACKNOWLEDGE MY DUTY TO CONFIRM PRODUCT AND INSTALLATION COMPLIANCE WITH ALL APPLICABLE FEDERAL, STATE AND LOCAL REGULATIONS AND STANDARDS.	
	UNITS REQUIRING APPROVAL DRAWINGS OR MODIFIED ARE NON-RETURNABLE	
	[] As drawn [] As marked	
Signed: _____		Date: _____
Printed Name: _____		
LEAD TIME WILL START UPON RECEIPT OF SIGNED APPROVAL DRAWING		

DISTRIBUTOR'S NAME: VESTIL MANUFACTURING		P.O.# X
DRAWN BY: JGP	DATE: 4/7/2021	W.O.# X
REFERENCE: X	SCALE: 1:24	SALES: X
QUOTED LEAD TIME: X	QUOTE # X	FILE NAME: 31-007-360

EXPLODED VIEW AND BILL OF MATERIALS (31-006-360)



ITEM	PART NO.	DESCRIPTION	QTY.
1	31-514-355	WELDMENT, FRAME, RACK	1
2	31-014-510	FRAME, ARM, FORMED	8
3	99-025-025	1" PLASTIC PLUG (BLACK)	8

SIGNAL WORDS

This manual uses SIGNAL WORDS to indicate the likelihood of personal injuries, as well as the probable seriousness of those injuries, if the product is misused in the ways described. Other signal words call attention to uses of the product likely cause property damage. The following are signal words used in this manual and their definitions.

⚠ DANGER	Identifies a hazardous situation which, if not avoided, WILL result in DEATH or SERIOUS INJURY . Use of this signal word is limited to the most extreme situations.
⚠ WARNING	Identifies a hazardous situation which, if not avoided, COULD result in DEATH or SERIOUS INJURY .
⚠ CAUTION	Indicates a hazardous situation which, if not avoided, COULD result in MINOR or MODERATE injury.
NOTICE	Identifies practices likely to result in product/property damage, such as operation that might damage the product.

SAFETY INSTRUCTIONS

Vestil strives to identify foreseeable hazards associated with the use of its products. However, no manual can address every conceivable risk. The most effective way to avoid injury is to exercise sound judgment when assembling, using, inspecting, and maintaining this crane.

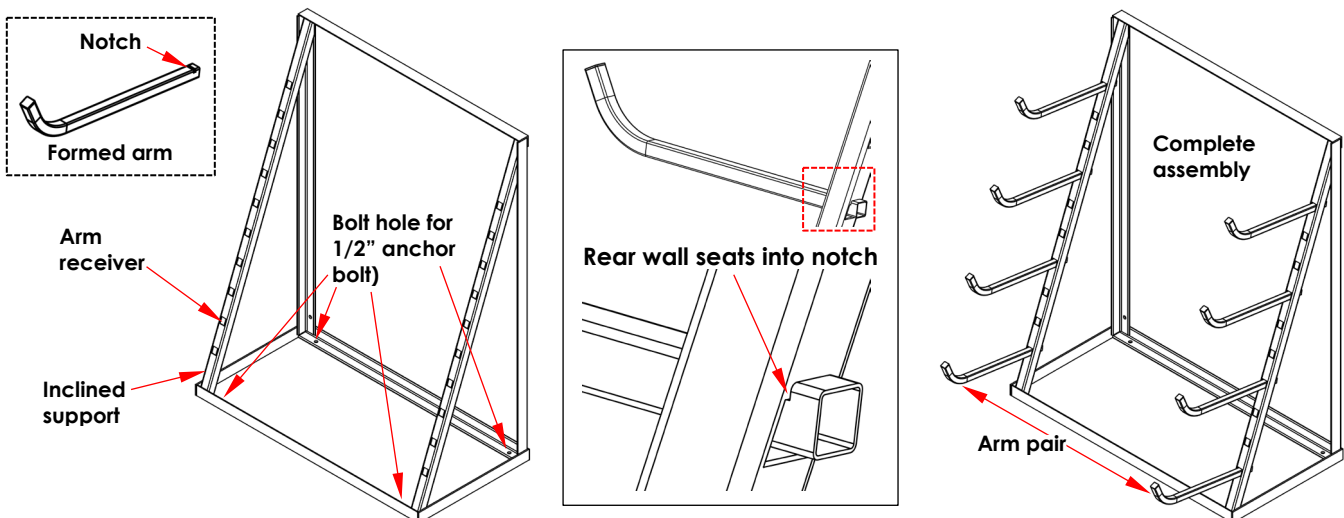
⚠ WARNING

Risks of serious personal injuries or death.

- **Read this manual in its entirety before assembling, using, inspecting or servicing the product.** Read the manual to refresh your understanding of use, inspection, and maintenance procedures as necessary. A copy of this manual should always be available to all persons who assemble, use, inspect and/or maintain this device.
- DO NOT use the product if any unusual noise or movement is observed.
- ONLY use/install this rack on even, level surfaces. DO NOT use the rack UNLESS it is securely anchored to a concrete surface capable of supporting the combined weight of the rack (~120lb.; 54.5kg) and a full capacity load (2,000lb; 909kg).
- Inspect & maintain the rack as instructed in the [INSPECTIONS & MAINTENANCE](#) section on p. 5. Do not use the rack unless it is in [SATISFACTORY CONDITION](#). See [RECORD OF SATISFACTORY CONDITION, p. 5](#). ONLY use manufacturer-approved replacement parts.
- DO NOT remove or obscure any label. Before using the rack, confirm that all labels are in place and easily readable. See [LABELING DIAGRAM](#) on p. 7.
- DO NOT climb on the rack.
- DO NOT apply loads weighing more than the capacity of this rack. The overall capacity of the rack is 2,000 pounds (909 kg). The capacity of each level (pair of rack arms) is 500 pounds (227kg). Do not apply more than 500 pounds to any pair of rack arms. Load the rack from the lowest level up. Center loads on the arm pairs. Loads should not overhang the arms by more than 12" (30cm).
- DO NOT pull or drag a loaded rack. Completely unload the rack before moving it.
- DO NOT modify the rack in any way. Modifying the rack automatically voids the [LIMITED WARRANTY](#) (on p. 6) and might make the rack unsafe to use.

ASSEMBLING THE RACK

Insert the formed arms (31-014-510) into the arm receivers of the rack frame (31-514-355). Arm notches must face upwardly when installing the arms. The notch of each arm receives the rear wall of the inclined support. Insert an arm into the same receiver of each inclined support.



INSTALLING THE RACK

Install the rack indoors on a level, even improved surface capable of supporting the combined weight of the rack (~120lb.; 54.5kg) and a full capacity load. The capacity of each arm pair is 500 pounds (227kg). Do not apply more than 2,000 pounds (909kg) overall to the rack. There are 4 bolt holes in the base frame of the rack for anchor bolts. Bolt hole location is diagrammed in *ASSEMBLING THE RACK*. Attach the rack to the floor with 1/2" anchor bolts that are at least 4" long.

LOADING THE RACK

Install a pair of rack arms in the lowest arm receivers. Install the remaining arms where appropriate for your application. Load material onto rack arm pairs from the bottom up, i.e. load the lowest pair first. Apply loads as close to the inclined supports as possible.

RECORD OF SATISFACTORY CONDITION (THE "RECORD")

Before putting the rack into service, record its appearance. Thoroughly photograph the unit so that all features are clearly visible. Take close range photographs of each label and/or tag applied to the unit, the rack arms and arm receivers, and all anchoring hardware. Collect the photographs in a file. The file is a record of the unit in satisfactory condition. Do not use the rack unless all parts are in satisfactory condition.

INSPECTIONS & MAINTENANCE

Compare the results of each inspection to the [RECORD](#) to determine whether all parts of the rack are in satisfactory condition. DO NOT use the rack unless all parts are in satisfactory condition. Only use manufacturer-approved replacement parts to restore the product to satisfactory condition. Never make temporary repairs of damaged or missing parts. **DON'T GUESS! If you have any questions about the condition of your unit, contact the [TECHNICAL SERVICE](#) department.** The phone number is provided on the cover page of this manual. Purely cosmetic changes, such as chipped paint, are not changes from satisfactory condition. However, unprotected steel rusts so touchup paint should be applied to all areas where the finish is damaged as soon as the damage occurs. Left unaddressed, rusting could compromise the soundness of the metal and create a safety hazard.

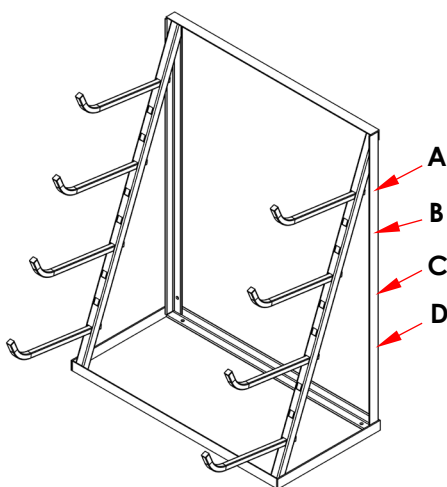
Unload the rack and inspect the following at least 1 time per month:

- 1) Rack arms: Remove each arm and its notch and inspect for bends, cracks, warps, rust/corrosion, and other forms of damage.
- 2) Frame: Closely examine all frame elements, arm receivers, and welds for rust, breaks, cracks, and other damage.
- 3) Anchor Bolts: Look for significant rusting/corrosion, damaged paint, and other damage around anchor bolts. Make sure that each bolt is solidly attached to the floor.
- 4) Labels: Confirm that each label is in place, undamaged, and easily readable.

Maintain the rack by replacing components that are not in satisfactory condition.

LABELING DIAGRAM

Label content and location are subject to change so your product might not be labeled exactly as shown. Compare the diagram below to the [RECORD OF SATISFACTORY CONDITION](#). If differences between applied labeling and this diagram exist, contact [TECHNICAL SERVICE](#). Replace all labels that are damaged, missing, or not easily readable (e.g. faded). To order replacement labels, or to inquire whether your unit is properly labeled, contact the [TECHNICAL SERVICE AND PARTS DEPARTMENT](#) online at http://www.vestilmfg.com/parts_info.htm or by calling (260) 665-7586 and asking for the Parts Department.



A: Label 1153

MODEL / MODELO / MODÈLE _____
WEIGHT / PESO / MASS _____
CAPACITY / CAPACIDAD / CAPACITÉ _____
SERIAL / SERIE / SÉRIE _____
UNITS: 2.2 lb. = 1kg 1" (or 1in.) = 2.54cm 1153

B: Label HSR-4860

▲ WARNING	▲ AVISO	Model/Modelo/Modèle HSR-4860
Improper loading constitutes misuse and might result in serious personal injuries.	La carga impropia constituye maltrato y puede que tenga como resultado heridas personales graves.	Maximum Capacity / Capacidad Máxima 2,000 LB. / 907 KG
<ul style="list-style-type: none"> • Racks must be placed in corresponding holes. • Load bottom of unit first, then move to the next level. Load bottom-up. 	<ul style="list-style-type: none"> • Los anaqueles deben ser colocados en correspondientes huecos. • Cargue fondo de la unidad primero, entonces mover al próximo nivel. Cargue empezando a abajo para arriba. 	Rack (pair) Capacity / Capacidad por Tablilla 500 LB. / 227 KG
UNIFORMLY DISTRIBUTED UNIFORMEMENTE DISTRIBUIDO		727

C: Label 204

▲ WARNING	▲ ADVERTENCIA	▲ AVERTISSEMENT
SECURE FRAME TO FLOOR	ASEGURE EL BASTIDOR AL PISO	FIXER SOLIDEMENT LE CADRE AU PLANCHER

D: Label 375

▲ WARNING	▲ ADVERTENCIA	▲ AVERTISSEMENT
DO NOT PLAY ON OR AROUND	NO JUEGE ALREDEDOR	NE PAS JOUER SUR OU AUTOUR DE L'UNITÉ



LIMITED WARRANTY

Vestil Manufacturing Corporation ("Vestil") warrants this product to be free of defects in material and workmanship during the warranty period. Our warranty obligation is to provide a replacement for a defective, original part covered by the warranty after we receive a proper request from the Warrantee (you) for warranty service.

Who may request service?

Only a warrantee may request service. You are a warrantee if you purchased the product from Vestil or from an authorized distributor AND Vestil has been fully paid.

Definition of "original part"?

An original part is a part used to make the product as shipped to the Warrantee.

What is a "proper request"?

A request for warranty service is proper if Vestil receives: 1) a photocopy of the Customer Invoice that displays the shipping date; AND 2) a written request for warranty service including your name and phone number. Send requests by one of the following methods:

<u>US Mail</u>	<u>Fax</u>	<u>Email</u>
Vestil Manufacturing Corporation 2999 North Wayne Street, PO Box 507 Angola, IN 46703	(260) 665-1339 <u>Phone</u> (260) 665-7586	info@vestil.com Enter "Warranty service request" in subject field.

In the written request, list the parts believed to be defective and include the address where replacements should be delivered. After Vestil receives your request for warranty service, an authorized representative will contact you to determine whether your claim is covered by the warranty. Before providing warranty service, Vestil will require you to send the entire product, or just the defective part (or parts), to its facility in Angola, IN.

What is covered under the warranty?

The warranty covers defects in the following original, dynamic parts: motors, hydraulic pumps, motor controllers, and cylinders. It also covers defects in original parts that wear under normal usage conditions ("wearing parts"), such as bearings, hoses, wheels, seals, brushes, and batteries.

How long is the warranty period?

The warranty period for original dynamic components is 1 year. For wearing parts, the warranty period is 90 days. Both warranty periods begin on the date Vestil ships the product to the Warrantee. If the product was purchased from an authorized distributor, the periods begin when the distributor ships the product. Vestil may, at its sole discretion, extend a warranty period for products shipped from authorized distributors by up to 30 days to account for shipping time.

If a defective part is covered by the warranty, what will Vestil do to correct the problem?

Vestil will provide an appropriate replacement for any covered part. An authorized representative of Vestil will contact you to discuss your claim.

What is not covered by the warranty?

The Warrantee (you) is responsible for paying labor costs and freight costs to return the product to Vestil for warranty service.

Events that automatically void this Limited Warranty.

- Misuse;
- Negligent assembly, installation, operation or repair;
- Installation/use in corrosive environments;
- Inadequate or improper maintenance;
- Damage sustained during shipping;
- Collisions or other accidents that damage the product;
- Unauthorized modifications: Do not modify the product IN ANY WAY without first receiving written authorization from Vestil.

Do any other warranties apply to the product?

Vestil Manufacturing Corp. makes no other express warranties. All implied warranties are disclaimed to the extent allowed by law. Any implied warranty not disclaimed is limited in scope to the terms of this Limited Warranty. Vestil makes no warranty or representation that this product complies with any state or local design, performance, or safety code or standard. Noncompliance with any such code or standard is not a defect in material or workmanship.