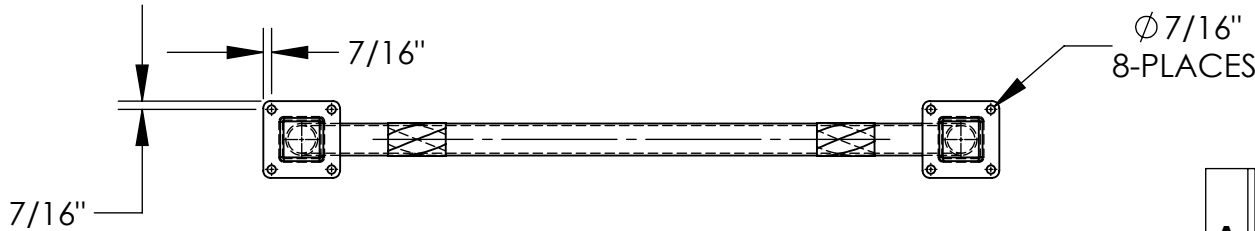
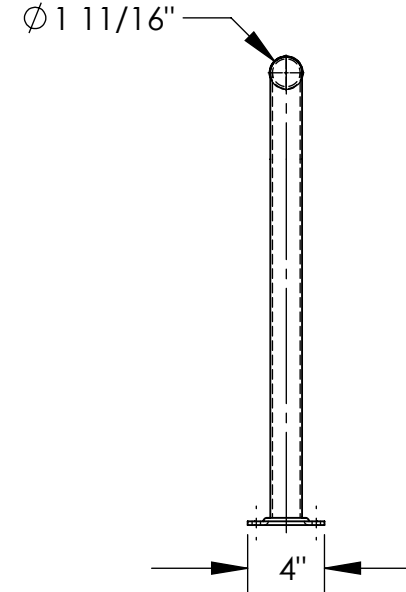
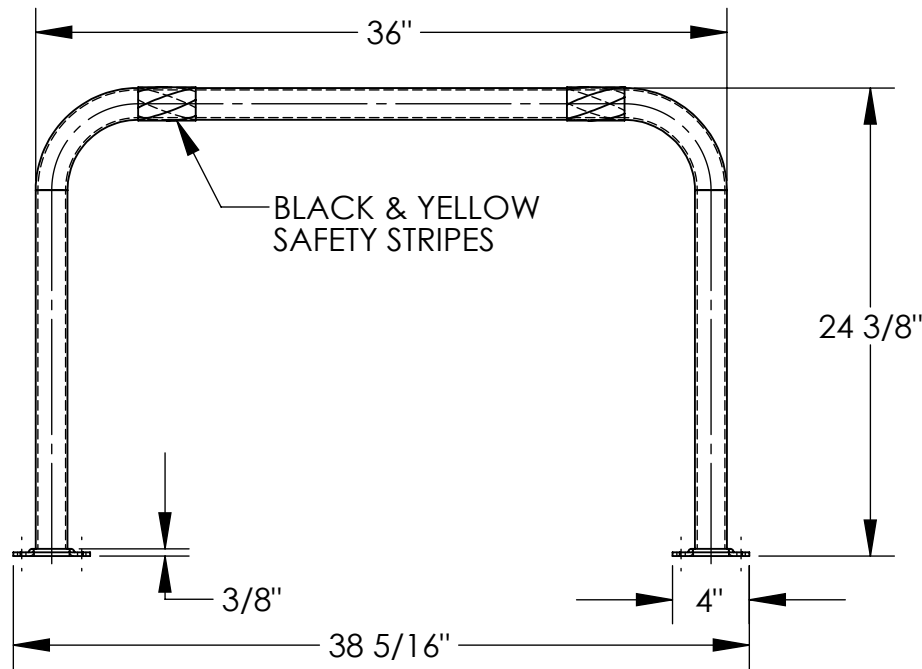


HIGH PROFILE MACHINERY GUARD - HPRO-36-24-2

APPROX WEIGHT: 13.49 lbs.
 DOES NOT INCLUDE WEIGHT OF POWER OR PACKAGING!!!

*** ANY ADDITIONS, DELETIONS, OR OMISSIONS MUST BE CORRECTED ON THIS DRAWING AS THIS DRAWING WILL BE CONSIDERED ALL INCLUSIVE ***

ALL GRAPHICS PROVIDED ARE FOR REFERENCE ONLY. IF CERTAIN DIMENSIONS ARE CRITICAL PLEASE VERIFY THOSE DIMENSIONS WITH YOUR SALESPERSON



DIMENSION TOLERANCE ± 1/4"

I, THE UNDERSIGNED, AGREE THAT THE PRODUCT AS REPRESENTED SATISFIES DESIGN AND DIMENSION REQUIREMENTS. I ALSO ACKNOWLEDGE MY DUTY TO CONFIRM PRODUCT AND INSTALLATION COMPLIANCE WITH ALL APPLICABLE FEDERAL, STATE AND LOCAL REGULATIONS AND STANDARDS.

ANY MODIFIED UNITS ARE NON-RETURNABLE

[] As drawn [] As marked

Signed: _____ Date: _____

Printed Name: _____

LEAD TIME WILL START UPON RECEIPT OF SIGNED APPROVAL DRAWING

APPROVAL

STANDARD FEATURES

- MODEL NUMBER IS HPRO-36-24-2
- MACHINE GUARD HEIGHT: 24 3/8"
- MACHINE GUARD LENGTH: 36"
- MACHINE GUARD DIAMETER: 1 11/16"
- OVERALL LENGTH: 38 5/16"
- INCLUDES 2 MOUNTING BRACKETS
- TOUGH BAKED IN POWDER COATED YELLOW FINISH
- BLACK AND YELLOW SAFETY STRIPES
- ALL STEEL CONSTRUCTION (ASTM A-36 MIN.) WITH WELDING TO MEET AWS
- WARNING: CHECK APPLICABLE STATE AND LOCAL LAWS FOR YOUR AREA

SPECIAL FEATURES

NONE

| | |
|---|--|
| FOR INTERNAL USE ONLY PROJECT SIGN OFF | |
| SALES | |
| ENG. | |
| FAB. | |
| POWER | |

| | | |
|----------------------|----------------|------------|
| DISTRIBUTOR'S NAME: | | P.O.# |
| VESTIL MANUFACTURING | | X |
| DRAWN BY: ND | DATE: 11/15/07 | W.O.# |
| REFERENCE: X | SCALE: 1:10 | X |
| QUOTED LEAD TIME: X | QUOTE # | FILE NAME: |
| | X | 23-007-130 |